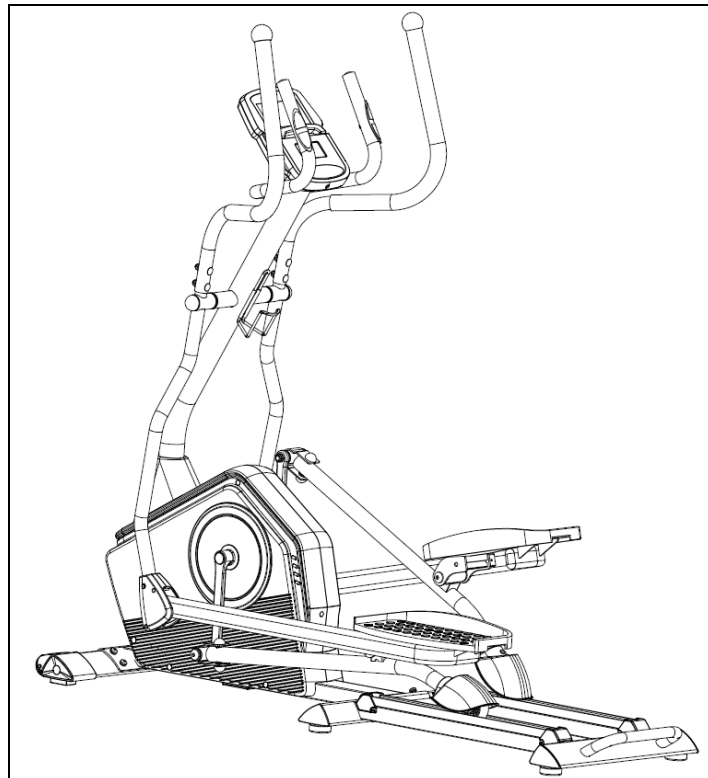




SMART ELLIPTICAL MACHINE

SF-E3889SMART

USER MANUAL



English, Pages 1~21

Español, Páginas 22~43

Français, Pages 44~64

Deutsch, Seiten 65~86

Italiano, Pagine 87~108

IMPORTANT! Please retain owner's manual for maintenance and adjustment instructions. Your satisfaction is very important to us, **PLEASE DO NOT RETURN UNTIL YOU HAVE CONTACTED US:** support@sunnyhealthfitness.com or 1-877-90SUNNY (877-907-8669).

IMPORTANTE! Por favor, conserve el manual del propietario para las instrucciones de mantenimiento y ajuste. Su satisfacción es muy importante para nosotros, **POR FAVOR NO DEVUELVA EL PRODUCTO HASTA QUE SE HAYA COMUNICADO CON NOSOTROS:** support@sunnyhealthfitness.com o 1-877-90SUNNY (877-907-8669).

IMPORTANT! Veuillez conserver le manuel du propriétaire pour les instructions d'entretien et de réglage. Votre satisfaction est très importante pour nous, **VEUILLEZ NE PAS RETOURNER AVANT DE NOUS AVOIR CONTACTÉ:** support@sunnyhealthfitness.com ou 1-877-90SUNNY (877-907-8669).

WICHTIG! Bitte bewahren Sie das Benutzerhandbuch für Wartungs- und Einstellanweisungen auf. Ihre Zufriedenheit ist uns sehr wichtig. **BITTE SENDEN SIE NICHT ZURÜCK, BEVOR SIE UNS KONTAKTIERT HABEN:** support@sunnyhealthfitness.com oder 1-877-90SUNNY (877-907-8669).

IMPORTANTE! Conservare il manuale d'uso per le istruzioni di manutenzione e regolazione. La vostra soddisfazione è molto importante per noi, **VI PREGO DI NON RESTITUIRE IL PRODOTTO PRIMA DI AVERCI CONTATTATO:** support@sunnyhealthfitness.com o 1-877-90SUNNY (877-907-8669).



WWW.SUNNYHEALTHFITNESS.COM

IMPORTANT SAFETY INFORMATION

We thank you for choosing our product. To ensure your safety and health, please use this equipment correctly. It is important to read this entire manual before assembling and using the equipment. Safe and effective use can only be achieved if the equipment is assembled, maintained and used properly. It is your responsibility to ensure that all users of the equipment are informed of all warnings and precautions.

1. Before starting any exercise program, you should consult your physician to determine if you have any medical or physical conditions that could put your health and safety at risk, or prevent you from using the equipment properly. Your physician's advice is essential if you are taking medication that affects your heart rate, blood pressure or cholesterol level.
2. Be aware of your body's signals. Incorrect or excessive exercise can damage your health. Stop exercising if you experience any of the following symptoms: pain, tightness in your chest, irregular heartbeat, shortness of breath, lightheadedness, dizziness or feelings of nausea. If you do experience any of these conditions, you should consult your physician before continuing with your exercise program.
3. Keep children and pets away from the equipment. The equipment is designed for adult use only.
4. Use the equipment on a solid, flat level surface with a protective cover for your floor or carpet. To ensure safety, the equipment should have at least 2 feet (60 cm) of free space all around it.
5. Ensure that all nuts and bolts are securely tightened before using the equipment. The safety of the equipment can only be maintained if it is regularly examined for damage and/or wear and tear.
6. Always use the equipment as indicated. If you find any defective components while assembling or checking the equipment, or if you hear any unusual noises coming from the equipment during exercise, discontinue use of the equipment immediately and do not use until the problem has been rectified.
7. Wear suitable clothing while using the equipment. Avoid wearing loose clothing that may become entangled in the equipment.
8. Do not place fingers or objects into the moving parts of the equipment.
9. The maximum weight capacity of this unit is 265 lbs (120 kgs).
10. The equipment is not suitable for therapeutic use.
11. To avoid bodily injury and/or damage to the product or property, proper lifting and moving is required.
12. Your product is intended for use in cool, dry conditions. You should avoid storage in extreme cold, hot or damp areas as this may lead to corrosion and other related problems.
13. This equipment is designed for indoor and home use only. It is not intended for commercial use!

IMPORTANT SAFETY INSTRUCTIONS

Read all instructions before using (this appliance).

When using an electrical appliance, basic precautions should always be followed, including the following:

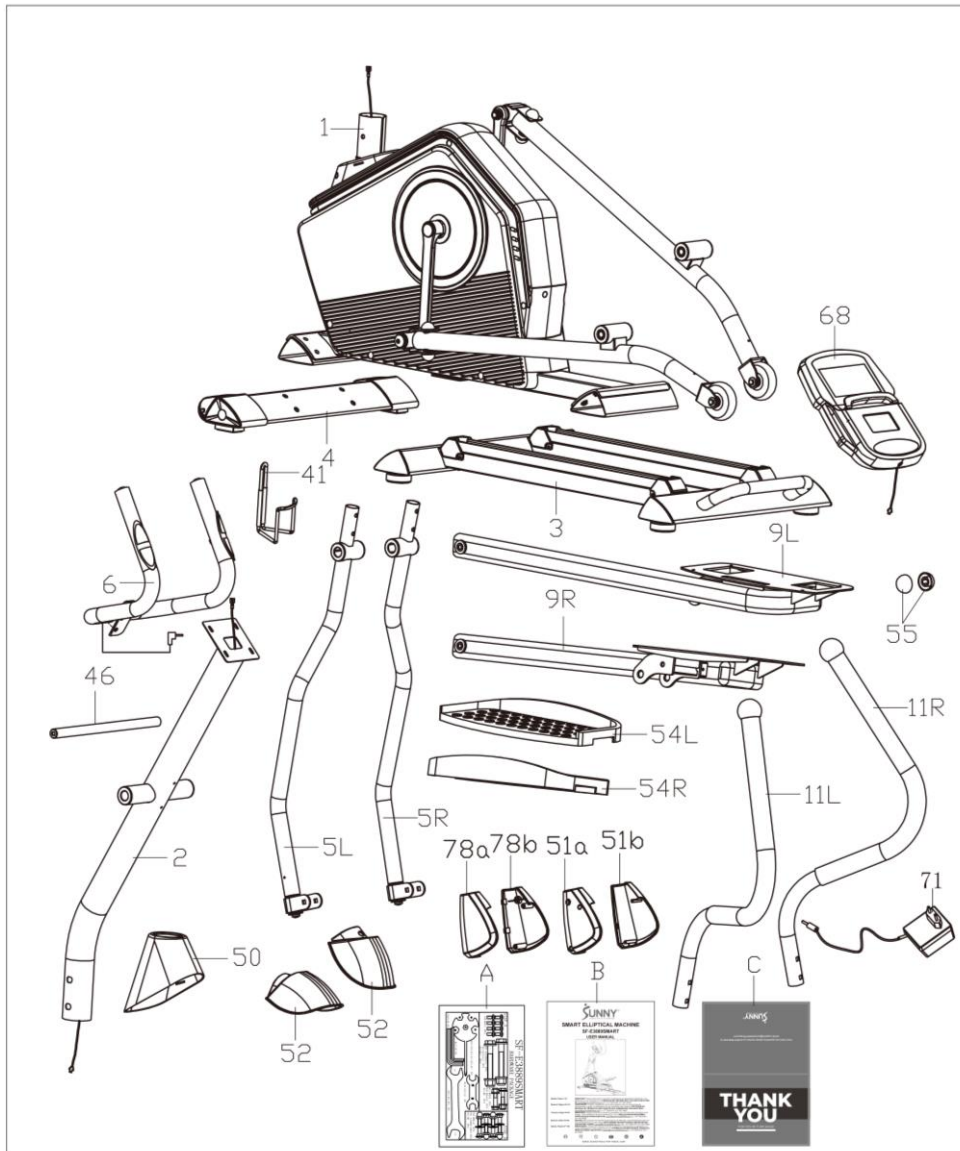
WARNING—To reduce the risk of burns, fire, electric shock, or injury to persons:

1. This equipment is not intended for use by persons with reduced physical, sensory or mental capabilities, or lack of experience and knowledge, unless they have been given supervision or instruction concerning use of the equipment by a person responsible for their safety. Keep children under the age of 13 away from this machine.
2. Use this equipment only for its intended use as described in this manual. Do not use attachments not recommended by the manufacturer.
3. Never operate the equipment with the air openings blocked. Keep the air openings free of lint, hair, and the like.
4. Never drop or insert any object into any opening.
5. Do not use outdoors.
6. Do not operate where aerosol (spray) products are being used or where oxygen is being administered.
7. Never operate this equipment if it has a damaged cord or plug, if it is not working properly, if it has been dropped or damaged, or dropped into water. Return the equipment to a service center for examination and repair.

SAVE THESE INSTRUCTIONS.

PRE-ASSEMBLY CHECK LIST

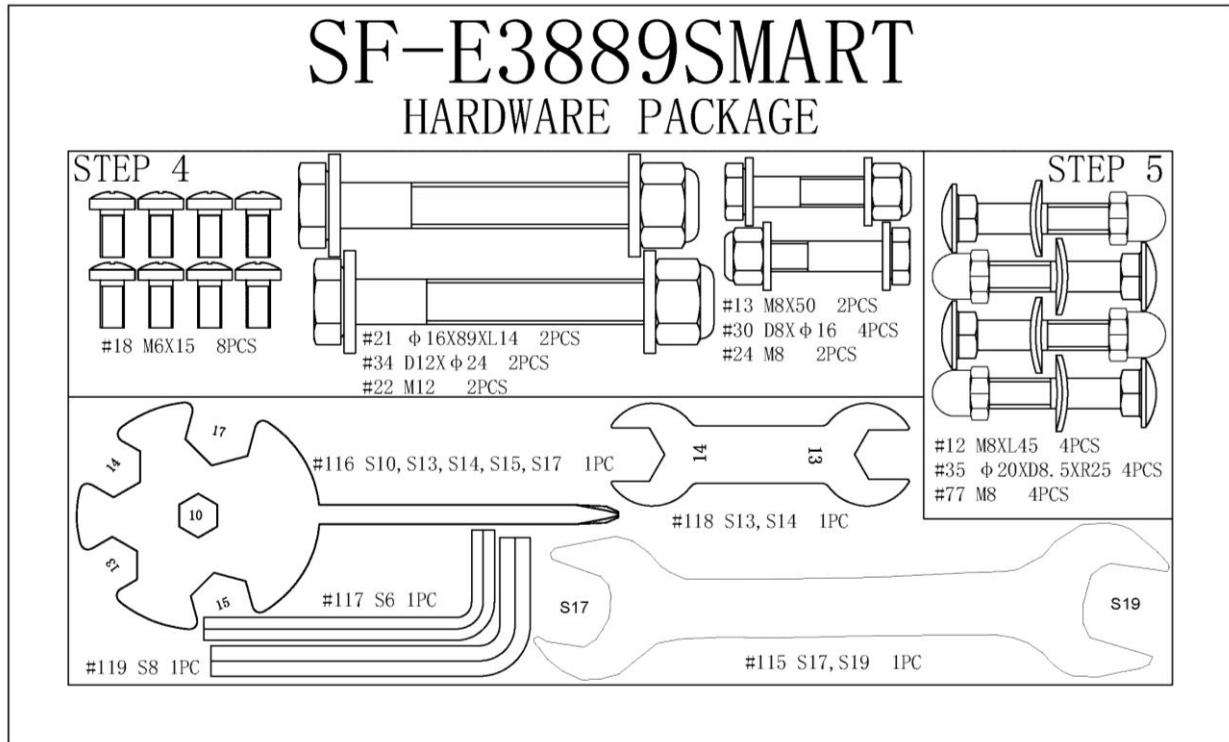
Before you start to assemble, please make sure all parts are included.



No.	Description	Spec.	Qty.
1	Main Frame		1
2	Handlebar Post		1
3	Rail Frame		1
4	Front Stabilizer		1
5L	Left Swing Bar		1
5R	Right Swing Bar		1
6	Fixed Handlebar		1
9L	Left Pedal Arm		1
9R	Right Pedal Arm		1
11L	Left Handlebar		1
11R	Right Handlebar		1
41	Bottle Holder		1
46	Long Axle	Φ19.5X332	1
50	Mast Cover		1

No.	Description	Spec.	Qty.
51a	Left Swing Bar Cover A		1
51b	Left Swing Bar Cover B		1
52	Roller Cover		2
54L	Left Pedal		1
54R	Right Pedal		1
55	Nut Cap	S13	2
68	Meter	TZ-4113P	1
71	Adaptor		1
78a	Right Swing Bar Cover A		1
78b	Right Swing Bar Cover B		1
A	Hardware Package		1
B	Manual		1
C	Thank You Card		1

HARDWARE PACKAGE



Ordering Replacement Parts (U.S. and Canadian Customers only)

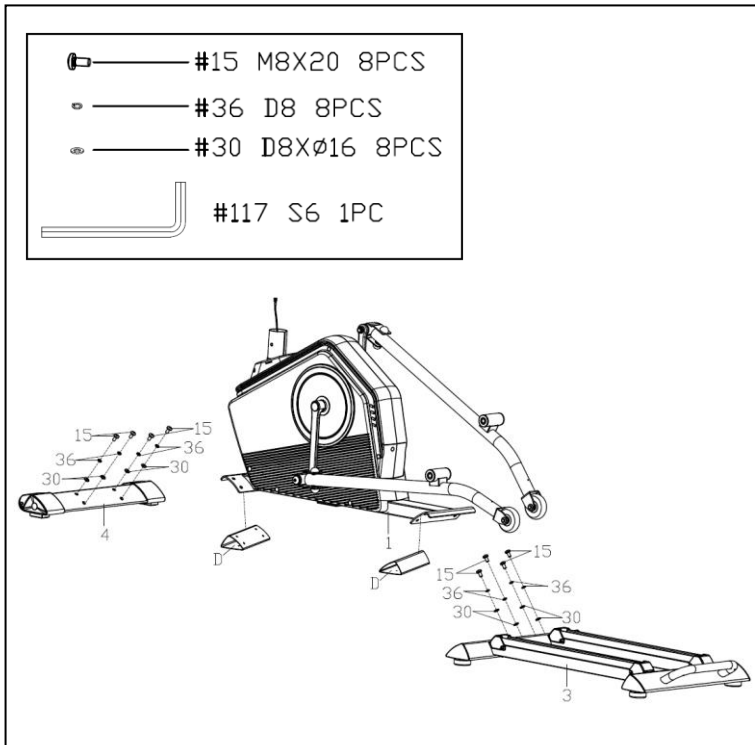
Please provide the following information in order for us to accurately identify the part(s) needed:

- ✓ The model number (found on cover of manual)
- ✓ The product name (found on cover of manual)
- ✓ The part number found on the “EXPLODED DIAGRAM” (pages 109~110) and “PARTS LIST” (pages 20~21)

Please contact us at support@sunnyhealthfitness.com or 1-877-90SUNNY (877-907-8669).

ASSEMBLY INSTRUCTION

We value your experience using Sunny Health and Fitness products. For assistance with parts or troubleshooting, please contact us at support@sunnyhealthfitness.com or 1-877-90SUNNY (877-907-8669).



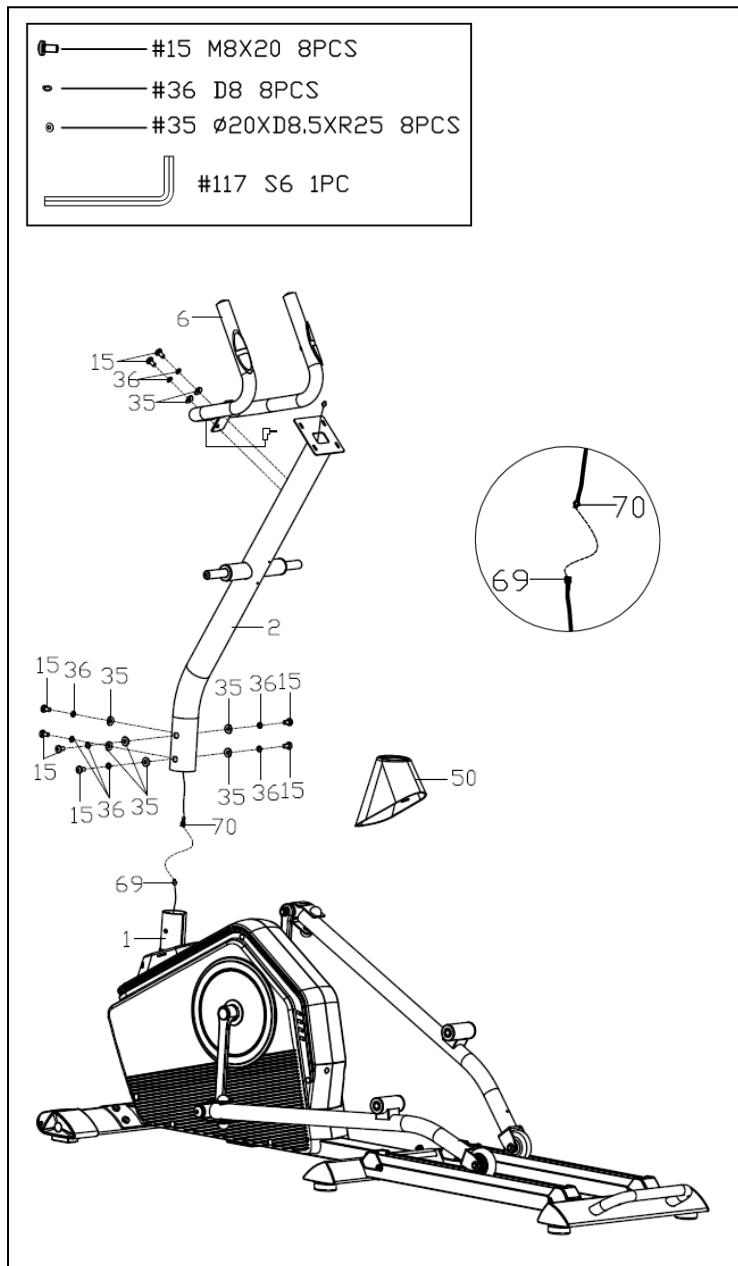
STEP 1:

Remove the 2 **Shipping Tubes (No. D)**, 8 **Allen Bolts (No. 15)**, 8 **Flat Washers (No. 30)** and 8 **Spring Washers (No. 36)** from the **Main Frame (No. 1)** by **Allen Wrench (No. 117)**.

Attach the **Front Stabilizer (No. 4)** and **Rail Frame (No. 3)** onto the **Main Frame (No. 1)** using 8 **Allen Bolts (No. 15)**, 8 **Flat Washers (No. 30)**, 8 **Spring Washers (No. 36)** that were removed. Tighten and secured with the **Allen Wrench (No. 117)**.

NOTE: You may discard 2 **Shipping Tubes (No. D)** or save them to repackage the item in the future.

We value your experience using Sunny Health and Fitness products. For assistance with parts or troubleshooting, please contact us at support@sunnyhealthfitness.com or 1-877-90SUNNY (877-907-8669).



STEP 2:

Remove 6 **Allen Bolts (No. 15)**, 6 **Spring Washers (No. 36)** and 6 **Arc Washers (No. 35)** from the **Main Frame (No. 1)** by **Allen Wrench (No. 117)**.

Slide the **Mast Cover (No. 50)** onto the **Handlebar Post (No. 2)**.

Connect the **Sensor Extension Wire 2 (No. 70)** with the **Sensor Extension Wire 1 (No. 69)**.

NOTE: To avoid damaging the wires, please put them into the **Handlebar Post (No. 2)** before attaching the **Handlebar Post (No. 2)** onto the **Main Frame (No. 1)**.

Insert the **Handlebar Post (No. 2)** onto the post of the **Main Frame (No. 1)**, secure in place with 6 **Allen Bolts (No. 15)**, 6 **Spring Washers (No. 36)** and 6 **Arc Washers (No. 35)** that were removed. Tighten and secured with the **Allen Wrench (No. 117)**.

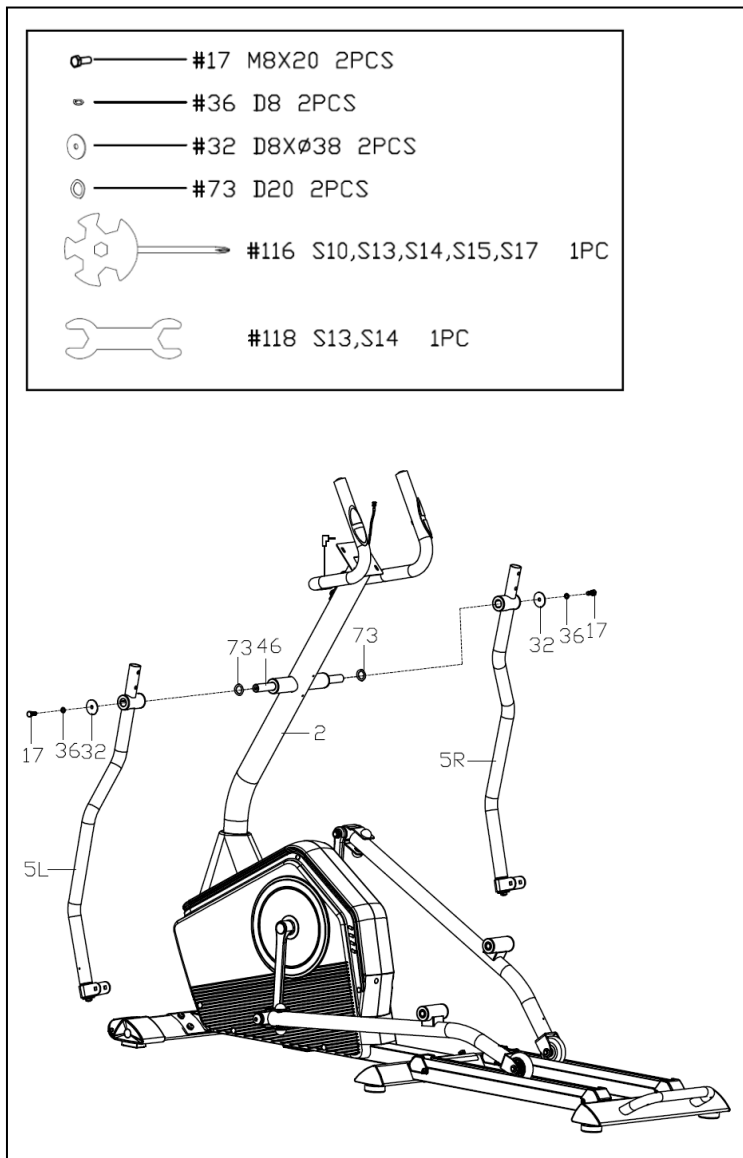
NOTE: Please make sure to attach the **Handlebar Post (No. 2)** onto the post of the **Main Frame (No. 1)** straightly.

Slide down the **Mast Cover (No. 50)** and fit in place.

Remove 2 **Allen Bolts (No. 15)**, 2 **Spring Washers (No. 36)** and 2 **Arc Washers (No. 35)** from the **Handlebar Post (No. 2)** by **Allen Wrench (No. 117)**.

Attach the **Fixed Handlebar (No. 6)** to the **Handlebar Post (No. 2)** in place. Secure it with 2 **Allen Bolts (No. 15)**, 2 **Spring Washers (No. 36)** and 2 **Arc Washers (No. 35)** that were removed by **Allen Wrench (No. 117)**.

We value your experience using Sunny Health and Fitness products. For assistance with parts or troubleshooting, please contact us at support@sunnyhealthfitness.com or 1-877-90SUNNY (877-907-8669).



STEP 3:

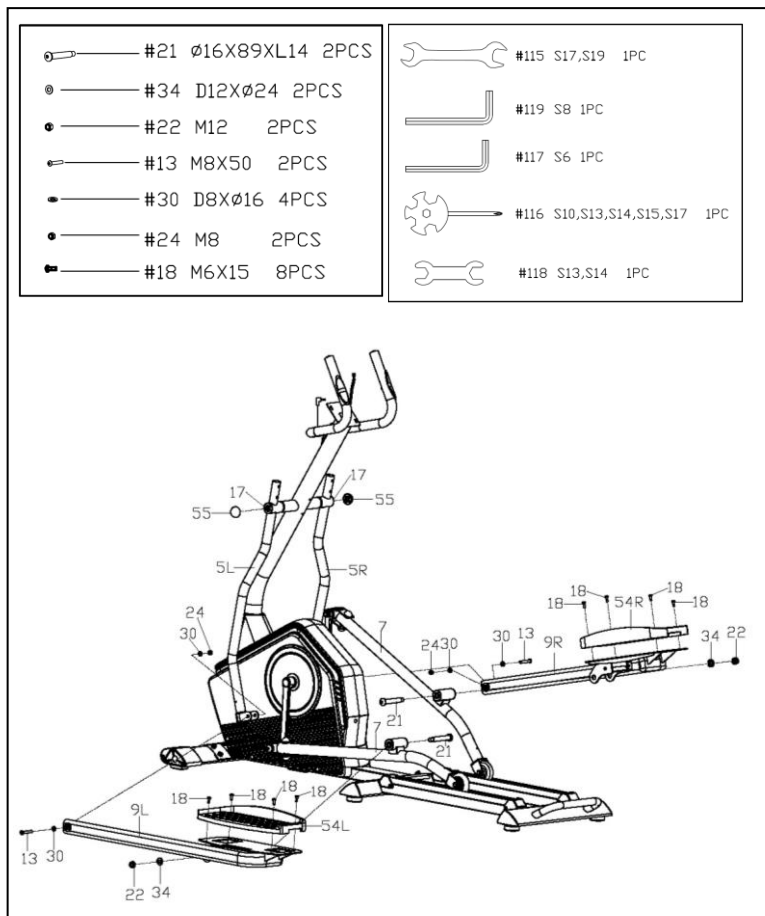
Remove 2 **Hex Bolts (No. 17)**, 2 **Spring Washers (No. 36)**, 2 **Flat Washers (No. 32)** and 2 **Wave Washers (No. 73)** from the **Long Axle (No. 46)** by **Spanner (No. 116)** and **Spanner (No. 118)**.

Insert the **Long Axle (No. 46)** into the **Handlebar Post (No. 2)**, then insert 2 **Wave Washers (No. 73)** that were removed to both sides of **Long Axle (No. 46)**.

Attach the **Left & Right Swing Bars (No. 5L & No. 5R)** to both sides of the **Long Axle (No. 46)** using 2 **Flat Washers (No. 32)**, 2 **Spring Washers (No. 36)** and 2 **Hex Bolts (No. 17)** that were removed. Tighten with **Spanner (No. 116)** and **Spanner (No. 118)**.

NOTE: Do not tighten the **Hex Bolts (No. 17)** during this step.

We value your experience using Sunny Health and Fitness products. For assistance with parts or troubleshooting, please contact us at support@sunnyhealthfitness.com or 1-877-90SUNNY (877-907-8669).



STEP 4:

Attach the **Left & Right Pedal Arms (No. 9L & No. 9R)** to 2 **Roller Arms (No. 7)** with 2 **Pedal Hinge Bolts (No. 21)**, then put on 2 **Flat Washers (No. 34)** and 2 **Nylon Nuts (No. 22)** to the end of 2 **Pedal Hinge Bolts (No. 21)** by **Allen Wrench (No. 119)** and **Spanner (No. 115)**.

NOTE: Do not tighten the **Pedal Hinge Bolts (No. 21)** during this step.

Attach **Left & Right Pedal Arms (No. 9L & No. 9R)** to **Left & Right Swing Bars (No. 5L & No. 5R)** respectively with 2 **Allen Bolts (No. 13)** and 2 **Flat Washers (No. 30)**, then put on 2 **Flat Washers (No. 30)** and 2 **Nylon Nuts (No. 24)** by **Allen Wrench (No. 117)** and **Spanner (No. 118)**.

NOTE: Do not tighten the **Allen Bolts (No. 13)** during this step.

Attach **Left & Right Pedals (No. 54L & No. 54R)** to the **Left & Right Pedal Arms (No. 9L & No. 9R)** using 8 **Phillips Screws (No. 18)** by **Spanner (No. 116)**.






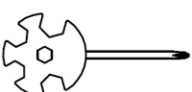
NOTE: Both **Left & Right Pedals (No. 54L & No. 54R)** are labeled: L for LEFT and R for RIGHT.

Now you can tighten **Hex Bolts (No. 17)** from **STEP 3** by **Spanner (No. 116)** and **Spanner (No. 118)**.

Cover with the 2 **Nut Caps (No. 55)**. And then tighten and secured 2 **Pedal Hinge Bolts (No. 21)** and 2 **Nylon Nuts (No. 22)** by **Allen Wrench (No. 119)** and **Spanner (No. 115)**.

NOTE: Ensure that all bolts and washers are in place and now you can tighten **Allen Bolts (No. 13)** by **Allen Wrench (No. 117)** and **Spanner (No. 118)**.

We value your experience using Sunny Health and Fitness products. For assistance with parts or troubleshooting, please contact us at support@sunnyhealthfitness.com or 1-877-90SUNNY (877-907-8669).

	#12 M8XL45	4PCS
	#77 M8	4PCS
	#35 Ø20XD8,5XR25	4PCS
	#26 ST4.2X18	4PCS
	#27 ST3.5X12	4PCS
	#116 S10,S13,S14,S15,S17	1PC

STEP 5:

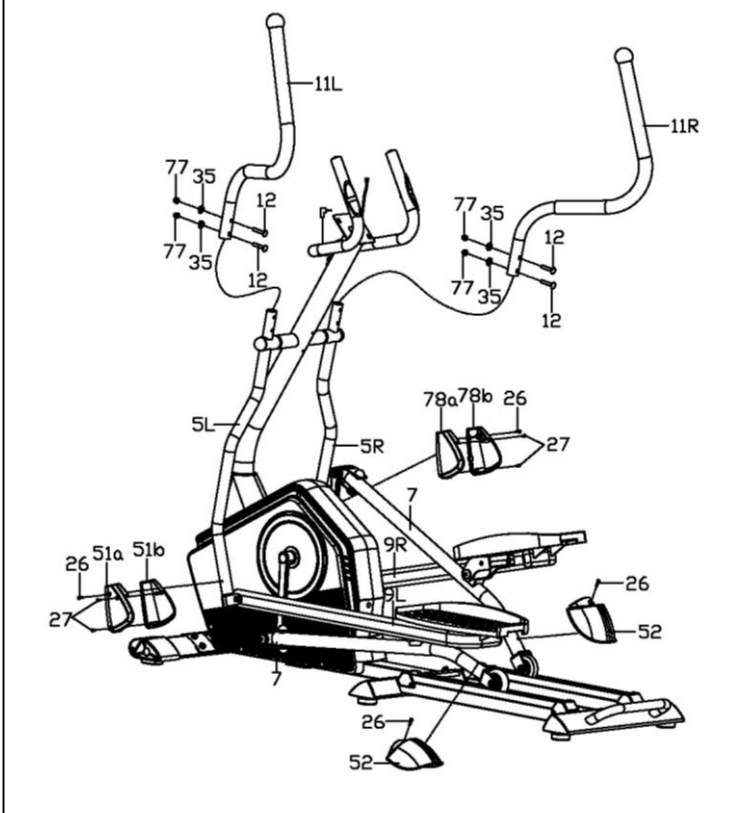
Attach the **Left & Right Handlebars (No. 11L & No. 11R)** to **Left & Right Swing Bars (No. 5L & No. 5R)** respectively with **4 Carriage Bolts (No. 12)**, **4 Arc Washers (No. 35)** and **4 Cap Nuts (No. 77)** by **Spanner (No. 116)**.

Remove **4 Phillips Tapping Screws (No. 27)** from **Left Swing Bar Covers A & B (No. 51a & No. 51b)** and **Right Swing Bar Covers A & B (No. 78a & No. 78b)** respectively by **Spanner (No. 116)**.

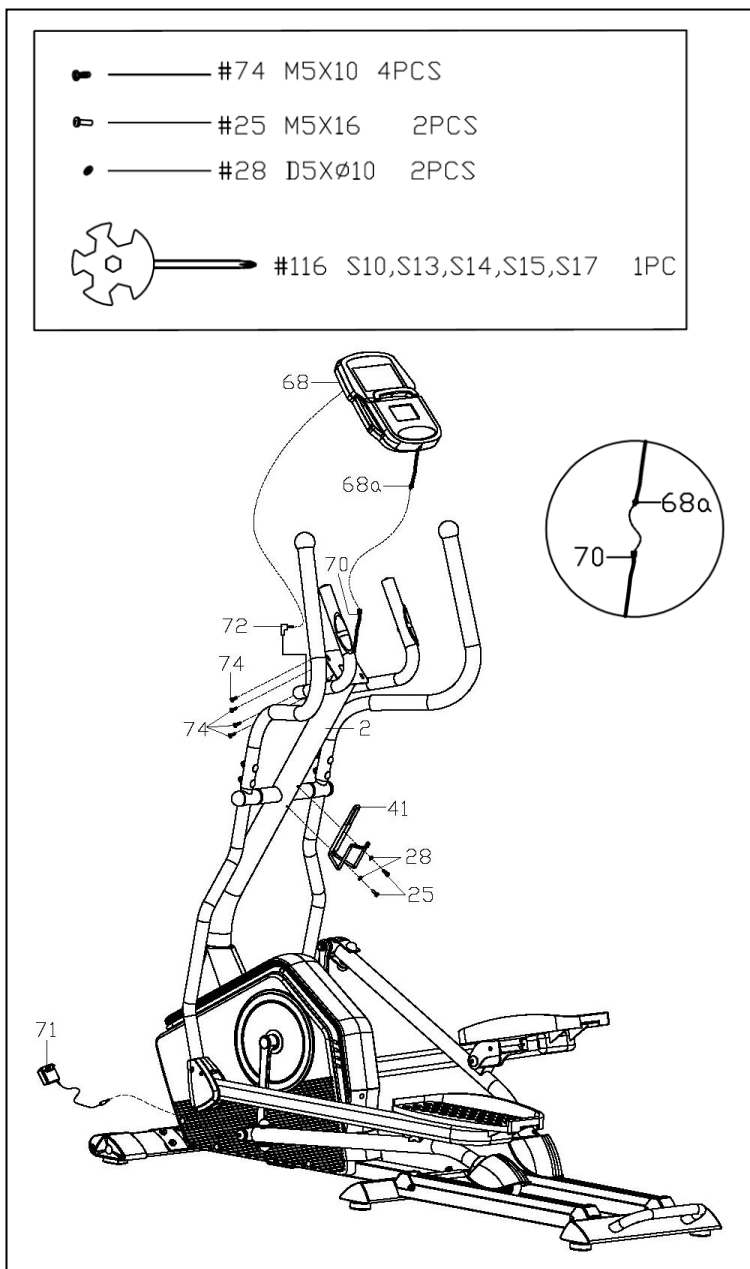
Remove **2 Phillips Tapping Screws (No. 26)** from **Left & Right Swing Bars (No. 5L & No. 5R)** by **Spanner (No. 116)**. Then attach **Left Swing Bar Covers A & B (No. 51a & No. 51b)** and **Right Swing Bar Covers A & B (No. 78a & No. 78b)** to **Left & Right Swing Bars (No. 5L & No. 5R)** respectively with **4 Phillips Tapping Screws (No. 27)** and **2 Phillips Tapping Screws (No. 26)** that were removed. Tighten and secured with **Spanner (No. 116)**.

NOTE: Both **Left Swing Bar Covers A & B (No. 51a & No. 51b)** and **Right Swing Bar Covers A & B (No. 78a & No. 78b)** are labeled: L for LEFT and R for RIGHT.

Remove **2 Phillips Tapping Screws (No. 26)** from **2 Roller Arms (No. 7)** by **Spanner (No. 116)**. Then attach **2 Roller Covers (No. 52)** to **2 Roller Arms (No. 7)** respectively with **2 Phillips Tapping Screws (No. 26)** that were removed. Tighten and secured with **Spanner (No. 116)**.



We value your experience using Sunny Health and Fitness products. For assistance with parts or troubleshooting, please contact us at support@sunnyhealthfitness.com or 1-877-90SUNNY (877-907-8669).



STEP 6:

Remove 4 **Phillips Screws (No. 74)** from the **Meter (No. 68)** by **Spanner (No. 116)**.

Plug the **Pulse Wire (No. 72)** to the designed socket at back of the **Meter (No. 68)**. Then Connect the **Sensor Extension Wire 2 (No. 70)** with **Meter Wire A (No. 68a)**.

Attach the **Meter (No. 68)** to the bracket of **Handlebar Post (No. 2)** with 4 **Phillips Screws (No. 74)** that were removed. Tighten and secured with **Spanner (No. 116)**.

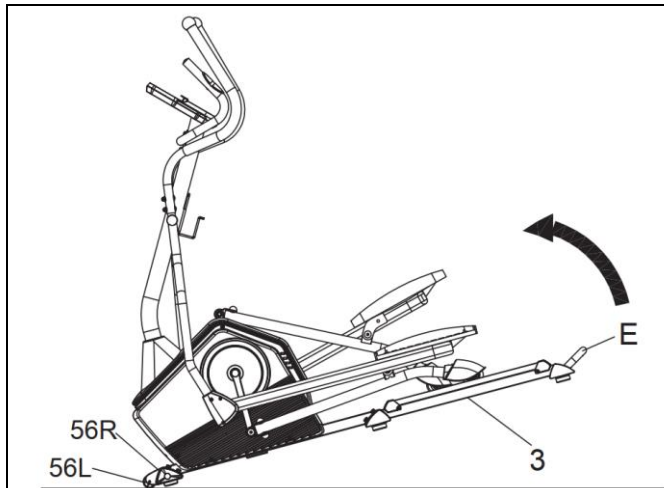
NOTE: To avoid damaging the wires, please put them into the **Handlebar Post (No. 2)** before attaching the **Meter (No. 68)** onto the bracket.

Remove 2 **Phillips Screws (No. 25)** and 2 **Flat Washers (No. 28)** from the **Handlebar Post (No. 2)** by **Spanner (No. 116)**. Then attach the **Bottle Holder (No. 41)** to the **Handlebar Post (No. 2)** with 2 **Phillips Screws (No. 25)** and 2 **Flat Washers (No. 28)** that were removed. Tighten and secured with **Spanner (No. 116)**.

Insert the jack from **Adaptor (No. 71)** to adaptor input on the front of **Main Frame (No. 1)**, then plug the **Adaptor (No. 71)** into an outlet.

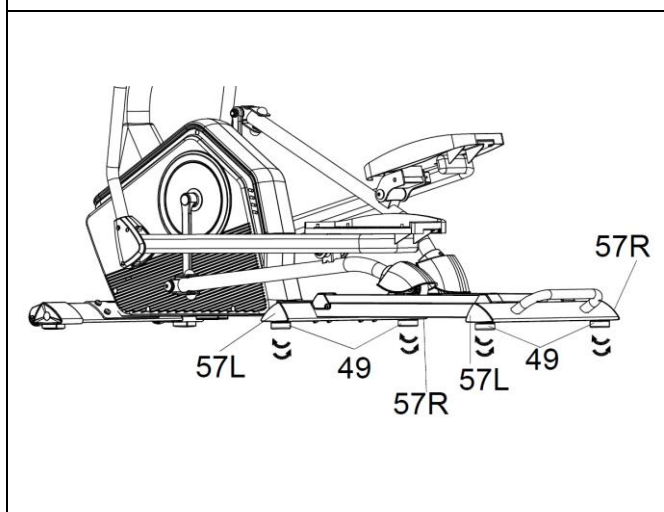
The assembly is complete!

ADJUSTMENT GUIDE



HOW TO MOVE THE ELLIPTICAL

There are transportation wheels located on the **Left & Right Front End Caps (No. 56L & No. 56R)**. Hold the **Handlebar (No. E)** of the **Rail Frame (No. 3)** and pull forward to lift the rear of the elliptical off the floor. Now you can move the elliptical.



ADJUSTING THE BALANCE

In order to achieve a smooth and comfortable ride, you must ensure that the elliptical is stable and secured. If you notice that the elliptical is unbalanced during use, you should adjust the **Adjustable Pads (No. 49)** located beneath the **Left & Right Rear End Caps (No. 57L & No. 57R)**. To do so, simply rotate the **Adjustable Pads (No. 49)** until the elliptical becomes levelled with the floor surface.

CLEANING

The elliptical can be cleaned with a soft, clean, damp cloth. Do not use abrasives or solvents on plastic parts. Please wipe your perspiration off the elliptical after each use. Be careful not to get excessive moisture on the meter display panel as this might cause electrical hazard or electronics to fail.

Please keep the elliptical, especially the meter, out of direct sunlight to prevent screen damage. Please inspect all assembly bolts and pedals on the elliptical for proper tightness every week.

STORAGE

Store the elliptical in a clean and dry environment, away from children.

IMPORTANT ELLIPTICAL INFORMATION

WARNING:

This elliptical requires a power source of **1 amp (100-240V)** in order to properly operate. For your safety, as well as the safety of others, please verify that the power source is correct before plugging in the equipment. Any power source above or below this level could cause significant damage to the equipment and or user.

OPERATING INSTRUCTIONS

Plug the adaptor into the elliptical and into the outlet.

The meter will turn on.

The meter will turn off if there is no activity for 4 minutes when the Bluetooth is not connected. Press any key on the meter to turn it on again.

NOTE: You can still use the elliptical when it is not plugged in. However, the meter will not be working and you cannot adjust the resistance level or use any of the functions.



EXERCISE METER

KEY FUNCTIONS:

BUTTON	FUNCTION
START/STOP	Start and pause workouts. Start body fat measurement.
DOWN	Lower the resistance level during workout. Decrease value of selected parameter.
UP	Increase the resistance level during workout. Increase value of selected parameter.
ENTER	Input the value or mode.
RECOVERY	Enter Recovery function when the meter displays the heart rate value. Recovery displays F1-F6. F1 is excellent recovery heart rate. F6 is poor recovery heart rate.
MODE	During workout, switch display from RPM to SPEED, ODO (ODOMETER) to DIST (DISTANCE) and WATT to CAL (CALORIES). Hold for 3 seconds to reset all function values to zero, except ODO (ODOMETER).

WORKOUT SELECTION:

After turning the meter on by plugging in the adaptor or if already plugged in, pressing any button on the meter, use the UP or DOWN button to make a selection. Then press ENTER button to choose the desired mode.

There are 7 basic workout modes:

Manual Program, Pre-set Programs, Watt Control Program, Body Fat Program, Target Heart Rate Program, Heart Rate Control Programs, and User Programs.

FUNCTIONS:

SPEED: Displays current training speed. Maximum speed is 99.9 MPH.

RPM: Displays current rotation per minute.

TIME: Accumulates the workout time from 0:00 to 99:59. Users can preset the target time they want.

DIST (DISTANCE): Accumulates the workout distance from 0.00 to 999.9 Miles. Users can preset the target distance they want to reach.

ODO (ODOMETER): Displays the total accumulated distance from 0 to 9999 Miles.

CAL (CALORIES): Accumulates the calories burned from 0 to 9999. Users can preset the target calories they want to burn.

WATT: Displays current watt.

HEART RATE: Displays the current heart rate in beats per minute.

TARGET HR. (HEART RATE): Users can preset their Target Heart Rate.

PROGRAM: There are 24 different programs to choose for training.

LEVEL: The program has 10 columns of bars and 8 bars in each column. Each column represents a 1-minute workout and each bar represents 2 resistance levels.

WORKOUT PARAMETERS:

TIME / DIST (DISTANCE) / CAL (CALORIES) / AGE / WATT / TARGET HR. (HEART RATE)

SETTING WORKOUT PARAMETERS

After selecting the desired workout mode: Manual Program, Pre-set Programs, Watt Control Program, Body Fat Program, Target Heart Rate Program, Heart Rate Control Programs, and User Programs. You may pre-set several workout parameters for desired results.

NOTE: SOME PARAMETERS ARE NOT ADJUSTABLE IN CERTAIN PROGRAMS. TIME AND DIST (DISTANCE) CANNOT BE SET UP AT THE SAME TIME.

Once a program has been selected, press ENTER button and TIME will flash.

Using the UP or DOWN button, you may select the desired time value. Press ENTER button to input the values. The flashing prompt will move to the next parameter. Continue using the UP or DOWN button. Press the START/STOP button to begin the workout.

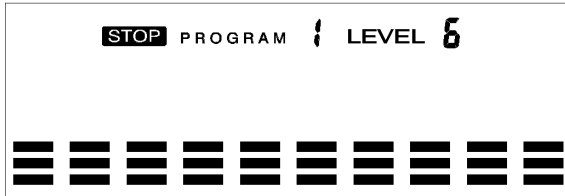
MORE ABOUT SETTING WORKOUT PARAMETERS

Field	Setting Range	Default Value	Increment/Decrement	Description
TIME	0:00~99:00	0:00	±1:00	1..When display is set as 0:00, TIME will count up. 2..When TIME is set as 1:00-99:00, it will count down to 0.00.
DIST (DISTANCE)	0.00~999.0	0.00	±1.00	1..When display is set as 0.00, DIST (DISTANCE) will count up. 2..When DIST (DISTANCE) is set as 1.00~999.0, it will count down to 0.00.
CAL (CALORIES)	0.00~9995	0.00	±5.00	1..When display is set as 0.00, CAL (CALORIES) will count up. 2. When CAL (CALORIES) is set as 5.00~9995, it will count down to 0.00.
WATT	50~250	100	±5	User can set watt value only in the Watt Control Program.
AGE	10~99	30	±1	TARGET HR. (HEART RATE) will be based on Age. When Heart Rate exceeds Target HR, the Heart Rate number will flash.
TARGET HR. (HEART RATE)	60~220	60	±1	Setting Parameters for TARGET HR. (HEART RATE).

PROGRAM OPERATION:

MANUAL PROGRAM (P1)

Program Profile



SETTING PARAMETERS FOR MANUAL PROGRAM

1. Select **Manual Program (P1)** using the UP or DOWN button, then press ENTER button.
2. TIME will flash so the value can be adjusted using the UP or DOWN button.
3. Press the ENTER button to save the value and move to the next parameter to be adjusted.

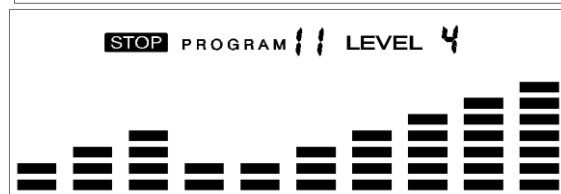
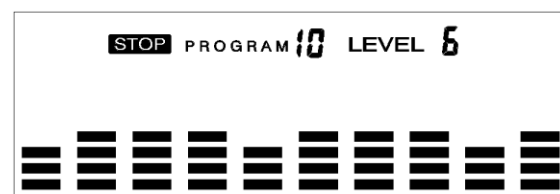
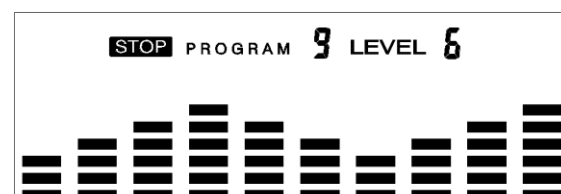
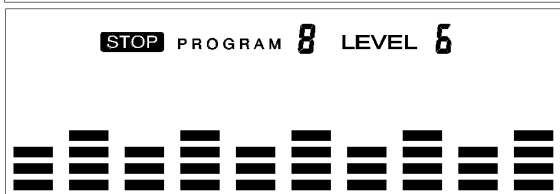
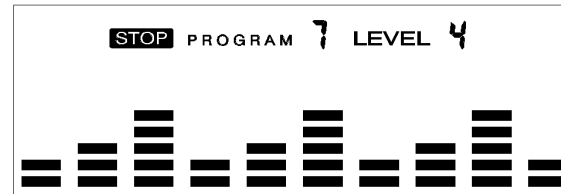
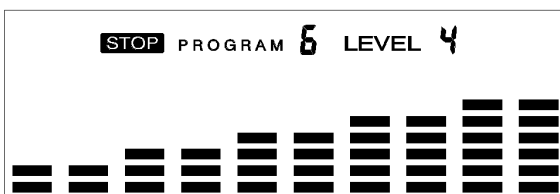
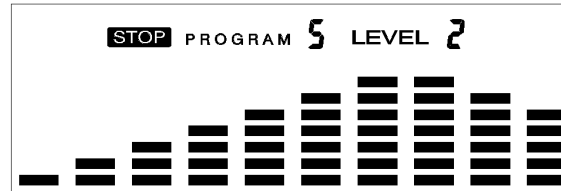
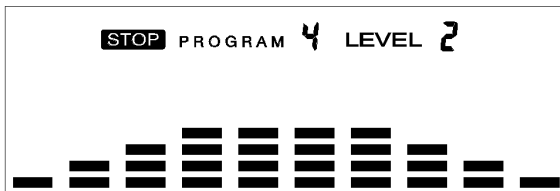
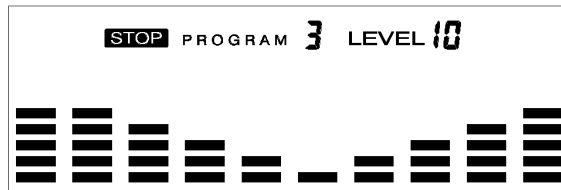
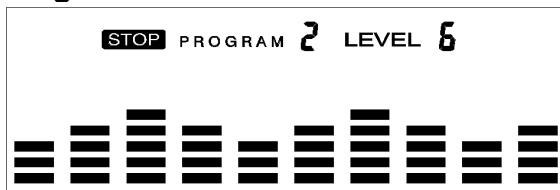
NOTE: If you set up the target time for workout, then the next parameter of DIST (DISTANCE) cannot be adjusted.

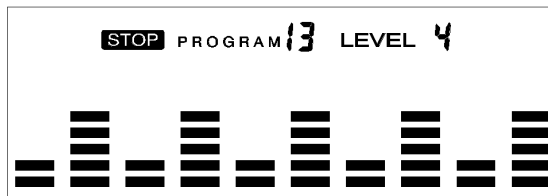
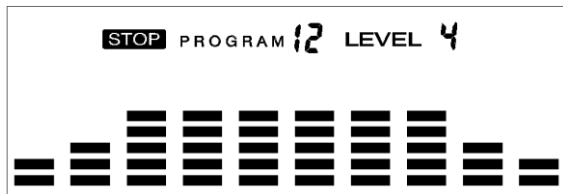
4. Continue through all desired parameters and press the START/STOP button to begin the workout.

NOTE: Once the workout parameter counts down to zero, it will beep and stop the workout automatically. Press the START/STOP button to continue the workout to reach the unfinished workout parameter.

PRE-SET PROGRAMS (P2~P13)

Program Profile





There are 12 pre-set programs ready for use. All program profiles have 16 levels of resistance.

SETTING PARAMETERS FOR PRE- SET PROGRAMS

1. Select one of the **Pre-set Programs** using the UP or DOWN button, then press ENTER button. TIME will flash so the value can be adjusted using the UP or DOWN key.
2. Press the ENTER button to save value and move to the next parameter to be adjusted. Continue through all desired parameters, pressing the START/STOP button to begin the workout.

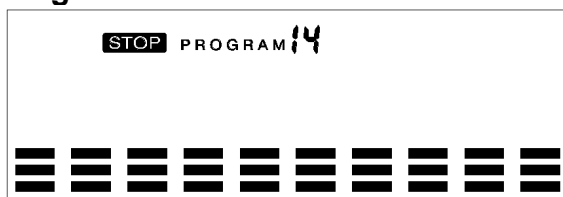
WORKOUT IN ANY PRE-SET PROGRAM

You can adjust the level of resistance by pressing the UP or DOWN button during the workout.

NOTE: If you set up the target time for workout, then the next parameter of DIST (DISTANCE) cannot be adjusted. Once the workout parameter counts down to zero, it will beep and stop the workout automatically. Press the START/STOP button to continue the unfinished parameter.

WATT CONTROL PROGRAM (P14)

Program Profile

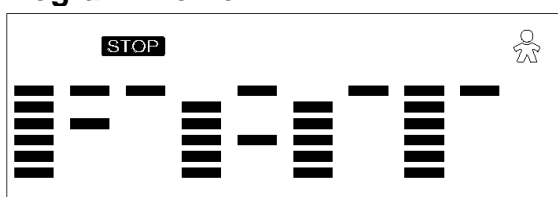


SETTING PARAMETERS FOR THE WATT CONTROL PROGRAM

1. Select **Watt Control Program (P14)** using the UP or DOWN button, then press ENTER button.
2. TIME will flash so the value can be adjusted using the UP or DOWN button.
3. Press ENTER button to save the value and move to the next parameter to be adjusted. **NOTE: If you set up the target time for workout, then the next parameter of DIST (DISTANCE) cannot be adjusted.**
4. Continue through all desired parameters, pressing the START/STOP button to start the workout. **NOTE: Once the workout parameters count down to zero, it will beep and stop the workout automatically.**
5. Press the START/STOP button to continue the workout to reach the unfinished workout parameter. **The meter will adjust the resistance load automatically depending on the speed to maintain the constant watt value. You can use the UP or DOWN button to adjust the watt value during the workout.**

BODY FAT PROGRAM (P15)

Program Profile



SETTING DATA FOR BODY FAT

Select **BODY FAT Program (P15)** using the UP or DOWN button, then press ENTER button.

“MALE” will flash so Gender can be adjusted using the UP or DOWN button. Press the ENTER button to save gender and move to the next data.

“5’8 (inches)” of Height will flash so Height can be adjusted using the UP or DOWN button. Press ENTER button to save the value and move to the next data.

“154 (lbs)” of Weight will flash so Weight can be adjusted using the UP or DOWN button. Press ENTER button to save the value and move to the next data.

“30” of Age will flash so Age can be adjusted using the UP or DOWN button. Press ENTER button to save the value.

Press the START/STOP button to start the measurement. Please also remember to grasp the hand pulse sensors. After 15 seconds the display will show Body Fat %, BMR, BMI, & BODY TYPE.

BODY TYPES:

There are 9 body types divided according to the FAT % calculated.

Body Type	FAT %	Body Type	FAT %	Body Type	FAT %
Type 1	5% - 9%	Type 4	20% - 24%	Type 7	35% - 39%
Type 2	10% - 14%	Type 5	25% - 29%	Type 8	40% - 44%
Type 3	15% - 19%	Type 6	30% - 34%	Type 9	45% - 50%

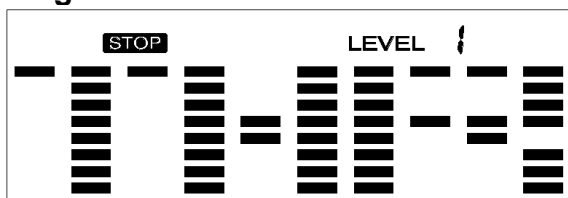
BMR: Basal Metabolism Ratio

BMI: Body Mass Index

Press START/STOP button to return the main display.

TARGET HEART RATE PROGRAM (P16)

Program Profile

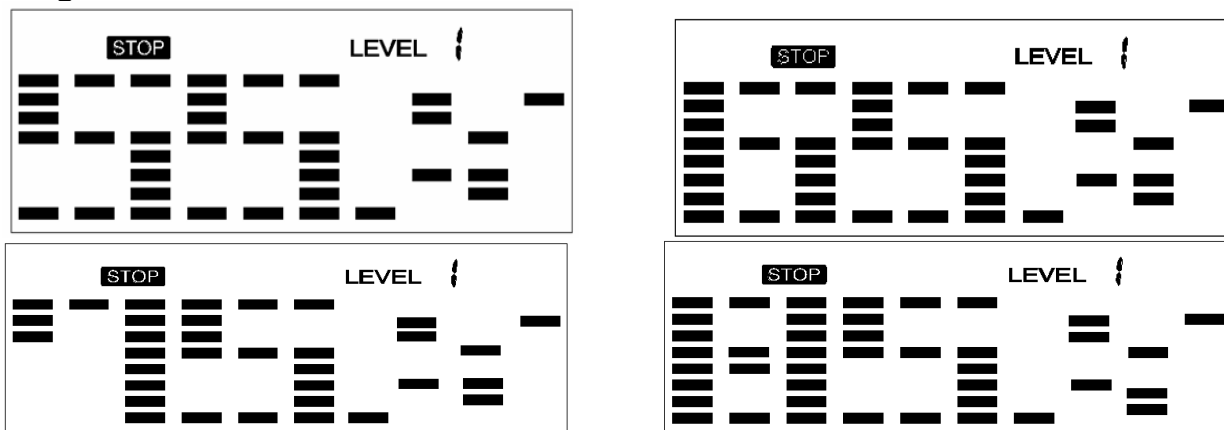


SETTING PARAMETERS FOR TARGET HEART RATE PROGRAM

1. Select **Target Heart Rate Program (P16)** using the UP or DOWN button, then press ENTER button.
2. TIME will flash. The value can be adjusted using the UP or DOWN button.
3. Press the ENTER button to save the value and move to the next parameter to be adjusted.
NOTE: If you set up the target time to workout, then the next parameter of DIST (DISTANCE) cannot be adjusted.
4. Continue through all desired parameters, pressing START/STOP button to start workout.
NOTE: If heart rate is above the set TARGET HR. (HEART RATE), the Pulse value will flash to remind the user.

HEART RATE CONTROL PROGRAM (P17-P20)

Program Profile



There are 4 selections for target pulse (HR):

HRC - 55% TARGET HR= 55% of (220-AGE)

HRC - 65% TARGET HR= 65% of (220-AGE)

HRC - 75% TARGET HR= 75% of (220-AGE)

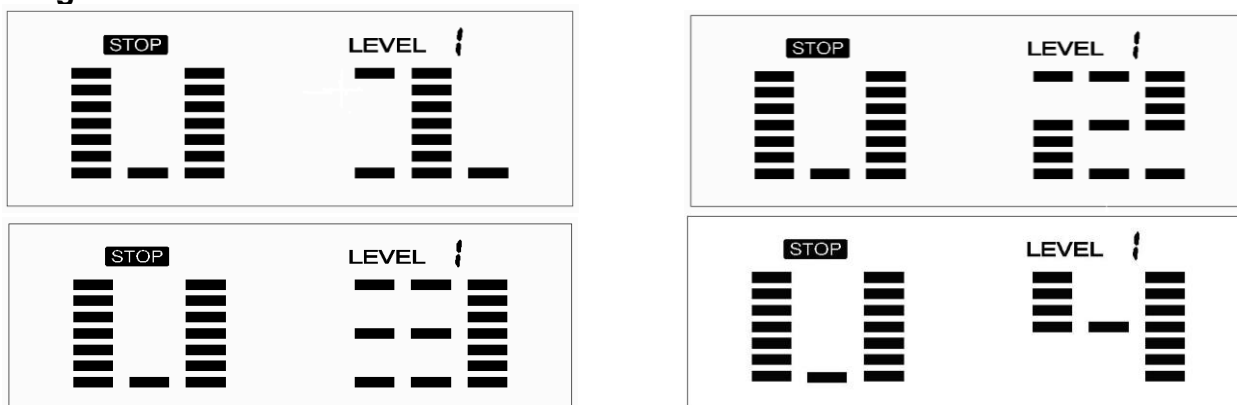
HRC - 85% TARGET HR= 85% of (220-AGE)

SETTING PARAMETERS FOR HEART RATE CONTROL

1. Select one of the **Heart Rate Control Programs** using the UP or DOWN button, then press ENTER button.
2. TIME will flash. The value can be adjusted using the UP or DOWN button.
3. Press the ENTER button to save the value and move to the next parameter to be adjusted.
NOTE: If you set up the target time to work out, then the next parameter of DIST (DISTANCE) cannot be adjusted.
4. Continue through all desired parameters, pressing the START/STOP button to start the workout.
NOTE: If heart rate is above or below (± 5) the TARGET HR. (HEART RATE), the meter will adjust the resistance load automatically. It will check every 20 seconds approx. 1 resistance load will increase or decrease (NOTE: each resistance load represents 2 levels of loading).
If one of the workout parameters counts down to zero, it will beep and stop the workout automatically. Press the START/STOP button to continue the workout to reach unfinished workout parameter.

USER PROGRAM (P21-P24)

Program Profile



The 4 user programs allow the user to set their own program that can be used immediately.

SETTING PARAMETERS FOR USER PROGRAM

1. Select the **User Program** using the UP or DOWN button then press ENTER button.
2. TIME will flash so the value can be adjusted using the UP or DOWN button.
3. Press the ENTER button to save the values and move to the next parameter to be adjusted.

NOTE: If you set up the target time to work out, then the next parameter of DIST (DISTANCE) cannot be adjusted.

4. Continue through all desired parameters.
5. After finishing the setup of the desired parameters, level 1 will flash. Use the UP or DOWN button to adjust, then press the ENTER button until finished. (There are 10 times total). Press the START/STOP button to begin the workout.

NOTE: Once the workout parameter counts down to zero, it will beep and stop the workout automatically. Press the START/STOP button to continue the workout to reach the unfinished workout parameter.

TECHNICAL DATA

Connectivity: Bluetooth LE

Frequency Range: 2400~2483.5 Mhz

Transmitting Power: 0 dBm

APP CONNECTION:

Connect Smart Equipment to SunnyFit App:

1. Scan to download SunnyFit from the app store:



2. Ensure that the Bluetooth function is turned on from your mobile device.
3. If this is your first time using the SunnyFit app, follow the in-app instructions to register for your free SunnyFit account and log in.
4. Begin any workout activity that matches your smart equipment, then follow the onscreen prompts to search for and connect to your smart equipment.
5. When connected, your stats and records will be displayed at the end of your course/session, and recorded in your account profile!

Troubleshooting:

- If you are having trouble connecting your smart equipment, visit www.sunnyfit.com/guide or scan the QR code below:



- If you require additional support, please contact support@sunnyfit.com.

TROUBLESHOOTING

PROBLEM	POSSIBLE CAUSE	CHECK	SOLUTION
E1-1	The motor couldn't find its start point.	Check if all the cables are well plugged in or check if the pins on the cables are improperly inserted. Or check if the motor is well connected.	Plug in the cables again and power on, then press MODE and ENTER buttons at the same time to enter the correction mode to correct errors.
E1-2	The motor signal has no induction.	Check if all the cables are well plugged in or check if the pins on the cables are improperly inserted. Or check if the motor is stuck.	Plug in the cables again or change a new motor.
E1-3	The motor has exceeded the maximum resistance level.	Check if all the cables are well plugged in or check if the pins on the cables are improperly inserted.	Plug in the cables again and power on, 1 second later disconnect the cables then re-plug in the cables and power on again, wait about 6 seconds let the motor come back to its start point, then press MODE and ENTER buttons at the same time to enter the correction mode to correct errors.
E2	No EEPROM data was read.		Re-connect the meter.
	The EEPROM data reading error.		Power on the meter again to re-read the data.
E4	Hands aren't put on the two handle pulses immediately after pressing START/STOP button.		Put the hands on the two handle pulses immediately after pressing START/STOP button.
	Body Fat Function cannot receive the signal for pulse.	Check if the handle pulse wires are well connected.	Plug in the handle pulse wires again or change the handle pulse wires.
		Check if the pulse is working when not in Body Fat Program.	Change the meter.

NOTE: If you are unable to resolve an issue using the troubleshooting guide above, please contact Customer Service at support@sunnyhealthfitness.com.

PARTS LIST

No.	Description	Spec.	Qty.
1	Main Frame		1
2	Handlebar Post		1
3	Rail Frame		1
4	Front Stabilizer		1
5L	Left Swing Bar		1
5R	Right Swing Bar		1
6	Fixed Handlebar		1
7	Roller Arm		2
8	Roller Arm Joint		2
9L	Left Pedal Arm		1
9R	Right Pedal Arm		1
10	Swing Bar Joint		2
11L	Left Handlebar		1
11R	Right Handlebar		1
12	Carriage Bolt	M8XL45	4
13	Allen Bolt	M8X50	2
14	Allen Bolt	M8X20 full thread	2
15	Allen Bolt	M8X20	16
16	Allen Flat Head Bolt	M8X15	4
17	Hex Bolt	M8X20	2
18	Phillips Screw	M6X15	8
19	Hex Bolt	M10X65	2
20	Hex Bolt	M6X15	11
21	Pedal Hinge Bolt	Φ16X89XL14	2
22	Nylon Nut	M12	2
23	Nylon Nut	M10	2
24	Nylon Nut	M8	3
25	Phillips Screw	M5X16	2
26	Phillips Tapping Screw	ST4.2X18	32
27	Phillips Tapping Screw	ST3.5X12	4
28	Flat Washer	D5XΦ10	2
29	Flat Washer	D6XΦ19	6
30	Flat Washer	D8XΦ16	13
31	Flat Washer	D8XΦ30	2
32	Flat Washer	D8XΦ38	2
33	Flat Washer	D10XΦ20	2

No.	Description	Spec.	Qty.
34	Flat Washer	D12XΦ24	2
35	Arc Washer	Φ20XD8.5XR25	12
36	Spring Washer	D8	20
37	Bearing	6900ZZ	4
38-1	Wheel Axle	Φ10X47.5	2
39	Alloy Bushing	Φ18XΦ10X11	4
40-1	Wheel Spacer	Φ16X11.8	4
41	Bottle Holder		1
42L	Left Crank		1
42R	Right Crank		1
43L	Left Crank Hinge Bolt	Φ16X69	1
43R	Right Crank Hinge Bolt	Φ16X69	1
44	Spring Washer	Φ13XB2	2
45L	Left Crank Nylon Nut	B0.5X20	1
45R	Right Crank Nylon Nut	B0.5X20	1
46	Long Axle	Φ19.5X332	1
47	Aluminum Rail	42X22X635	2
48	Swing Bar Spacer	Φ16.4XΦ8X33.5	2
49	Adjustable Pad	M10X30	4
50	Mast Cover		1
51a	Left Swing Bar Cover A		1
51b	Left Swing Bar Cover B		1
52	Roller Cover		2
53	Aluminum Rail Cap		4
54L	Left Pedal		1
54R	Right Pedal		1
55	Nut Cap	S13	2
56L	Left Front End Cap		1
56R	Right Front End Cap		1
57L	Left Rear End Cap	97XΦ51X33	2
57R	Right Rear End Cap	97XΦ51X33	2
58-1	Wheel	Φ80X24	2
59	Foam Grip	Φ24XΦ30X480	2
60	Foam Grip	Φ31XΦ37X600	2
61	Mushroom Cap	Φ32X1.5	2
62	Round Cap	Φ25X1.5	2

No.	Description	Spec.	Qty.
63	Oval Cap		2
64	Nut Cap	S17	4
65	Wire Plug	Φ12X11XΦ3	1
66	Plastic Bushing	Φ38XΦ19.5X26	6
67	Plastic Bushing	Φ28XΦ16.4X16	4
68	Meter	TZ-4113P	1
68a	Meter Wire A		1
69	Sensor Extension Wire 1	800 mm	1
70	Sensor Extension Wire 2	1200 mm	1
71	Adaptor		1
72	Pulse Wire	650 mm	1
73	Wave Washer	D20	5
74	Phillips Screw	M5X10	4
75	Pulse Sensor		2
76	Wave Washer	D17	2
77	Cap Nut	M8	4
78a	Right Swing Bar Cover A		1
78b	Right Swing Bar Cover B		1
79	Plastic Bushing	Φ32X2.0	8
80	Bearing	6001	4
81	Flywheel Axle	Φ24X103	1
82	Flywheel	Φ240X40 4kgs	1
83	Belt	405 PJ6	1
84	Flat Washer	D6XΦ16X1.5	3
85	Idler Wheel	Φ39X24	1
86	Idler Wheel Linkage		1
87L	Left Belt Cover		1
87R	Right Belt Cover		1
88	Phillips Screw	M6X8	2
89	Crank Cover		2
90	Tension Wire	500 mm	1
91	Flange Nut	M12X1.25	2
92	Axle Spring Washer	D20	2
93	Bearing	6004	2

No.	Description	Spec.	Qty.
94	Tension Spring	Φ1.6XΦ15XL55	1
95	Middle Axle	Φ20X210	1
96	Crank Cap		2
97	Pivot Bolt	Φ14XΦ10XM8X20.5	1
98	Tension Spring	Φ18XΦ2.8XL114	1
99	Hex Nut	M5	2
100	Hex Bolt	M5X60	1
101	Belt Pulley	Φ260	1
102	Spring Washer	D6	9
103	Nylon Nut	M6	5
104	Tube Plug	Φ25X22	2
105	Motor		1
106	Square Cap	80X40X1.5	1
107	Axle Spring Washer	D12	2
108	Magnetic Board Axle	Φ12X73	1
109	Magnetic Board		1
110	Square Magnet	40X25X10	4
111	Wave Washer	D12	1
112	Phillips Screw	M6X10	4
113	Fixed Plate		2
114	Phillips Screw	M6X12	2
115	Spanner	S17, S19	1
116	Spanner	S10, S13, S14, S15, S17	1
117	Allen Wrench	S6	1
118	Spanner	S13, S14	1
119	Allen Wrench	S8	1
120	Bearing Bracket		2
121	Adjusting Bolt	M6X50	1
122	Hex Nut	M10	2
123	Sensor Bracket		1
124	DC Cable	600 mm	1
125	Sensor Wire	300 mm	1
126	Spacer	Φ10.5XΦ14X12.2	2

INFORMACIÓN IMPORTANTE SOBRE SEGURIDAD

Le agradecemos que haya elegido nuestro producto. Para garantizar su seguridad y su salud, utilice este equipo correctamente. Es importante leer este manual en su totalidad antes de montar y utilizar el equipo. Sólo se puede lograr un uso seguro y eficaz si el equipo se monta, mantiene y utiliza correctamente. Es su responsabilidad asegurarse de que todos los usuarios del equipo estén informados de todas las advertencias y precauciones.

1. Antes de iniciar cualquier programa de ejercicios, debe consultar a su médico para determinar si tiene alguna condición médica o física que pueda poner en riesgo su salud y seguridad, o que le impida utilizar el equipo adecuadamente. El consejo de su médico es esencial si está tomando medicación que afecte a su ritmo cardíaco, presión arterial o nivel de colesterol.
2. Esté atento a las señales de su cuerpo. Un ejercicio incorrecto o excesivo puede perjudicar su salud. Deje de hacer ejercicio si experimenta alguno de los siguientes síntomas: dolor, opresión en el pecho, latidos cardíacos irregulares, falta de aliento, aturdimiento, mareos o sensación de náuseas. Si experimenta alguna de estas condiciones, debe consultar a su médico antes de continuar con su programa de ejercicios.
3. Mantenga a los niños y a las mascotas alejados del equipo. El equipo está diseñado para uso exclusivo de adultos.
4. Utilice el equipo sobre una superficie sólida, plana y nivelada con una cubierta protectora para el suelo o la alfombra. Para garantizar la seguridad, el equipo debe tener al menos 60 cm (2 pies) de espacio libre a su alrededor.
5. Asegúrese de que todas las tuercas y tornillos estén bien apretados antes de utilizar el equipo. La seguridad del equipo sólo puede mantenerse si se examina regularmente para detectar daños y/o desgaste.
6. Utilice siempre el equipo tal y como se indica. Si encuentra algún componente defectuoso mientras ensambla o revisa el equipo, o si escucha algún ruido inusual proveniente del equipo durante el ejercicio, interrumpa el uso del equipo inmediatamente y no lo utilice hasta que el problema haya sido rectificado.
7. Lleve ropa adecuada mientras utilice el equipo. Evite llevar ropa suelta que pueda enredarse en el equipo.
8. No introduzca los dedos ni objetos en las partes móviles del equipo.
9. La capacidad máxima de peso de esta unidad es de 265 lbs (120 kgs).
10. El equipo no es adecuado para uso terapéutico.
11. Para evitar lesiones corporales y/o daños al producto o a la propiedad, es necesario levantar y mover el equipo adecuadamente.
12. Su producto está diseñado para ser utilizado en condiciones frescas y secas. Debe evitar almacenarlo en zonas extremadamente frías, calientes o húmedas, ya que esto puede provocar corrosión y otros problemas relacionados.
13. Este equipo está diseñado únicamente para uso doméstico y en interiores. No está diseñado para uso comercial.

INSTRUCCIONES IMPORTANTES DE SEGURIDAD

Lea todas las instrucciones antes de utilizar (este aparato).

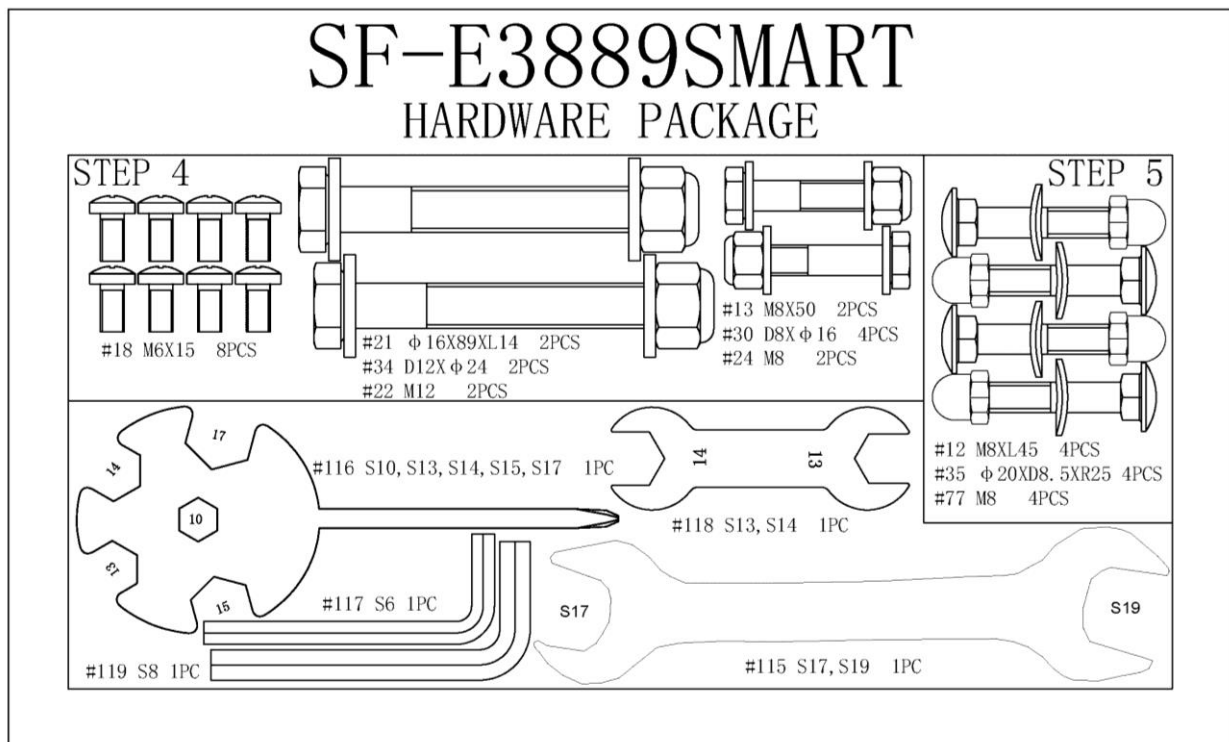
Al utilizar un aparato eléctrico, deben seguirse siempre las precauciones básicas, incluidas las siguientes:

ADVERTENCIA-Para reducir el riesgo de quemaduras, incendios, descargas eléctricas o lesiones a las personas:

1. Este equipo no está diseñado para ser utilizado por personas con capacidades físicas, sensoriales o mentales reducidas, o con falta de experiencia y conocimientos, a menos que hayan recibido supervisión o instrucciones sobre el uso del equipo por parte de una persona responsable de su seguridad. Mantenga a los niños menores de 13 años alejados de esta máquina.
2. Utilice este equipo únicamente para el uso previsto, tal como se describe en este manual. No utilice accesorios no recomendados por el fabricante.
3. No utilice nunca el equipo con los orificios de ventilación obstruidos. Mantenga las aberturas de aire libres de pelusas, pelos y similares.
4. Nunca deje caer ni introduzca ningún objeto en ninguna abertura.
5. No utilice el aparato al aire libre.
6. No utilizar en lugares donde se utilicen productos en aerosol (spray) o donde se administre oxígeno.
7. No utilice nunca este equipo si tiene el cable o el enchufe dañados, si no funciona correctamente, si se ha caído o dañado, o si se ha caído al agua. Devuelva el equipo a un centro de servicio para su examen y reparación.

GUARDE ESTAS INSTRUCCIONES.

PAQUETE DE HARDWARE



Pedido de piezas de repuesto (sólo para clientes de EE.UU. y Canadá)

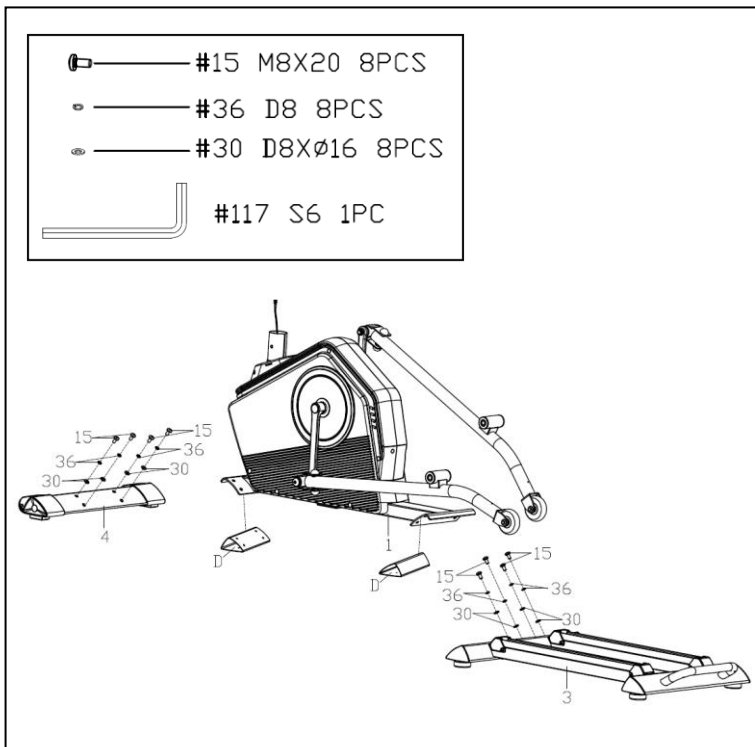
Por favor, facilítenos la siguiente información para que podamos identificar con precisión la(s) pieza(s) necesaria(s):

- ✓ El número de modelo (se encuentra en la cubierta del manual)
- ✓ El nombre del producto (se encuentra en la portada del manual)
- ✓ El número de pieza se encuentra en el "DIAGRAMA EXPLÍCITO" (páginas 109~110) y en la "LISTA DE PIEZAS" (páginas 42~43).

Póngase en contacto con nosotros en support@sunnyhealthfitness.com o en el 1-877-90SUNNY (877-907-8669).

INSTRUCCIONES DE MONTAJE

Valoramos su experiencia con los productos Sunny Health and Fitness. Para obtener asistencia con piezas o solución de problemas, póngase en contacto con nosotros en support@sunnyhealthfitness.com o 1-877-90SUNNY (877-907-8669).



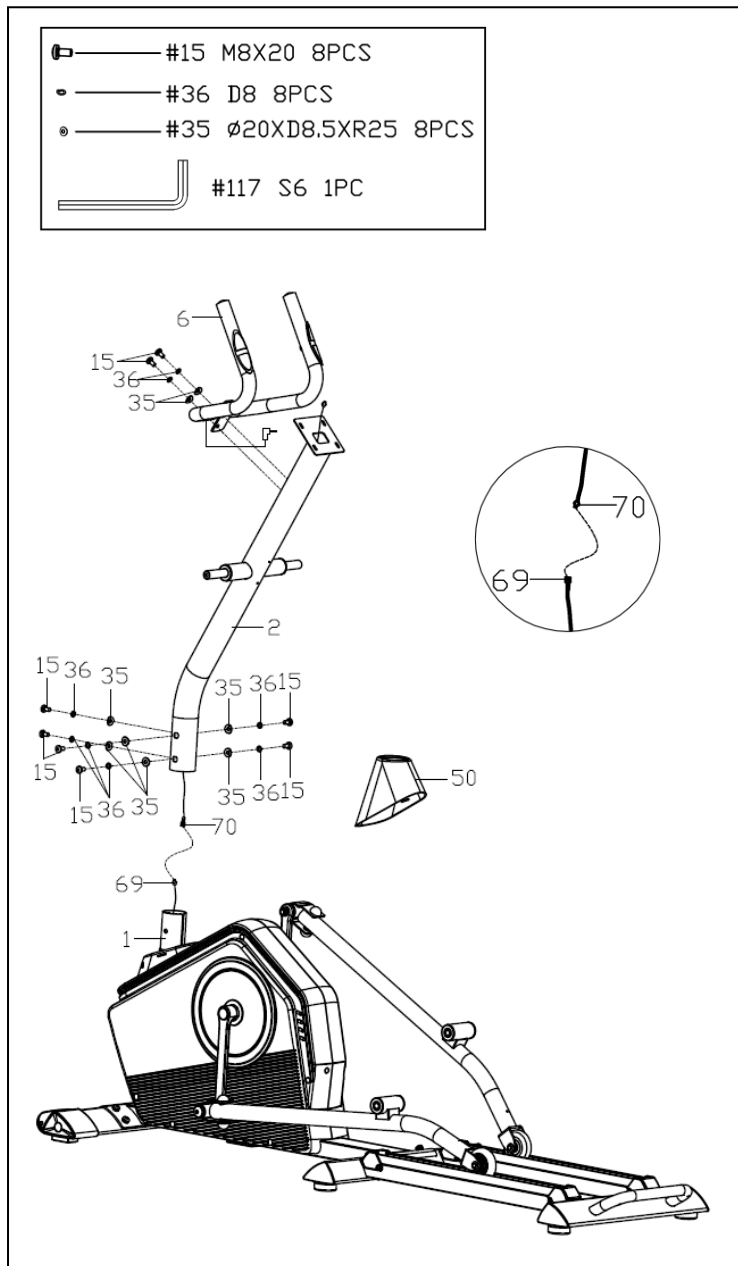
PASO 1:

Retire los 2 **Tubos de Envío (n.º D)**, 8 **Pernos Allen (n.º 15)**, 8 **Arandelas Planas (n.º 30)** y 8 **Arandelas Elásticas (n.º 36)** del **Marco Principal (n.º 1)** con la **Llave Allen (n.º 117)**.

Coloque el **Estabilizador Delantero (n.º 4)** y el **Bastidor de Carril (n.º 3)** en el **Marco Principal (n.º 1)** con los 8 **Pernos Allen (n.º 15)**, las 8 **Arandelas Planas (n.º 30)** y las 8 **Arandelas Elásticas (n.º 36)** que retiró. Apriete y asegure con la **Llave Allen (n.º 117)**.

NOTA: Puede desechar los 2 **Tubos de Envío (n.º D)** o guardarlos para volver a embalar el artículo en el futuro.

Valoramos su experiencia con los productos Sunny Health and Fitness. Para obtener asistencia con piezas o solución de problemas, póngase en contacto con nosotros en support@sunnyhealthfitness.com o 1-877-90SUNNY (877-907-8669).



PASO 2:

Retire 6 **Pernos Allen (n.º 15)**, 6 **Arandelas Elásticas (n.º 36)** y 6 **Arandelas de Arco (n.º 35)** del **Marco Principal (n.º 1)** con la **Llave Allen (n.º 117)**.

Deslice la **Tapa del Mástil (n.º 50)** en el **Poste del Manillar (n.º 2)**.

Conecte el **Cable de Extensión del Sensor 2 (n.º 70)** con el **Cable de Extensión del Sensor 1 (n.º 69)**.

NOTA: Para evitar dañar los cables, colóquelos en el **Poste del Manillar (n.º 2)** antes de fijar el **Poste del Manillar (n.º 2)** en el **Marco Principal (n.º 1)**.

Inserte el **Poste del Manillar (n.º 2)** en el poste del **Marco Principal (n.º 1)**, asegure en su lugar con 6 **Pernos Allen (n.º 15)**, 6 **Arandelas Elásticas (n.º 36)** y 6 **Arandelas de Arco (n.º 35)** que fueron removidas. Apriete y asegure con la **Llave Allen (n.º 117)**.

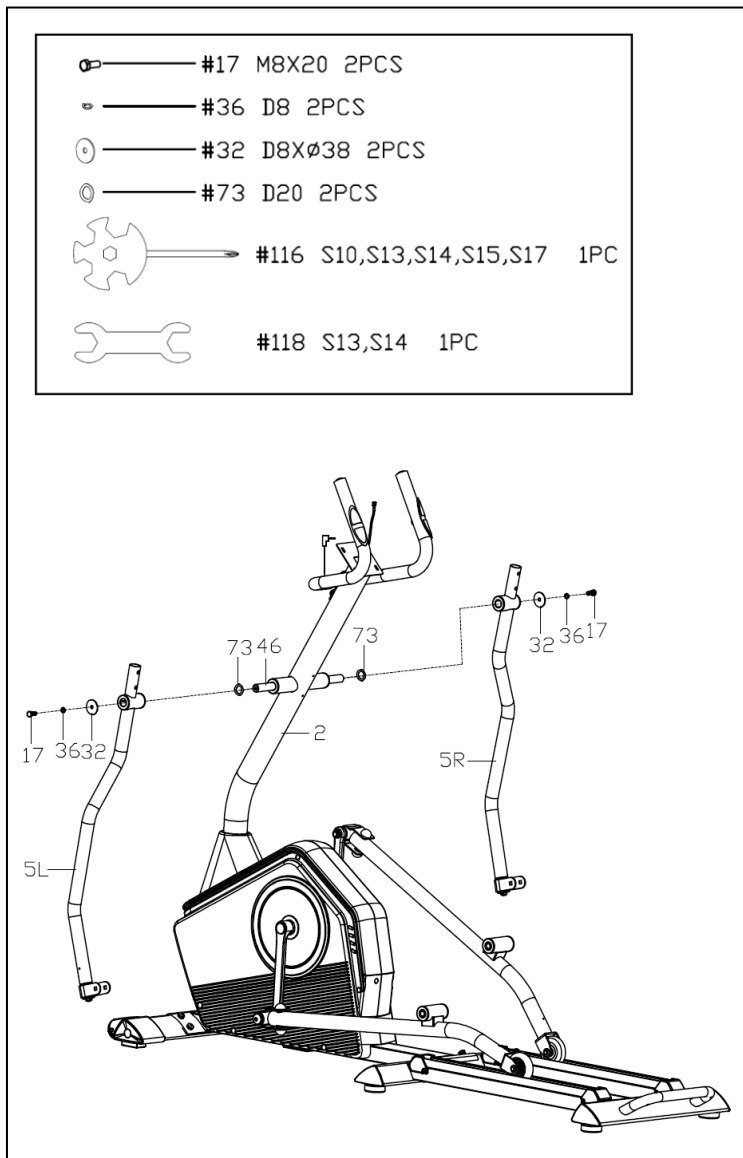
NOTA: Asegúrese de fijar el **Poste del Manillar (n.º 2)** en el poste del **Marco Principal (n.º 1)** de forma recta.

Deslice hacia abajo la **Tapa del Mástil (n.º 50)** y colóquela en su sitio.

Retire 2 **Pernos Allen (n.º 15)**, 2 **Arandelas Elásticas (n.º 36)** y 2 **Arandelas de Arco (n.º 35)** del **Poste del Manillar (n.º 2)** con la **Llave Allen (n.º 117)**.

Fije el **Manillar Fijo (n.º 6)** al **Poste del Manillar (n.º 2)** en su lugar. Asegúrelo con 2 **Pernos Allen (n.º 15)**, 2 **Arandelas Elásticas (n.º 36)** y 2 **Arandelas de Arco (n.º 35)** que se retiraron con la **Llave Allen (n.º 117)**.

Valoramos su experiencia con los productos Sunny Health and Fitness. Para obtener asistencia con piezas o solución de problemas, póngase en contacto con nosotros en support@sunnyhealthfitness.com o 1-877-90SUNNY (877-907-8669).



PASO 3:

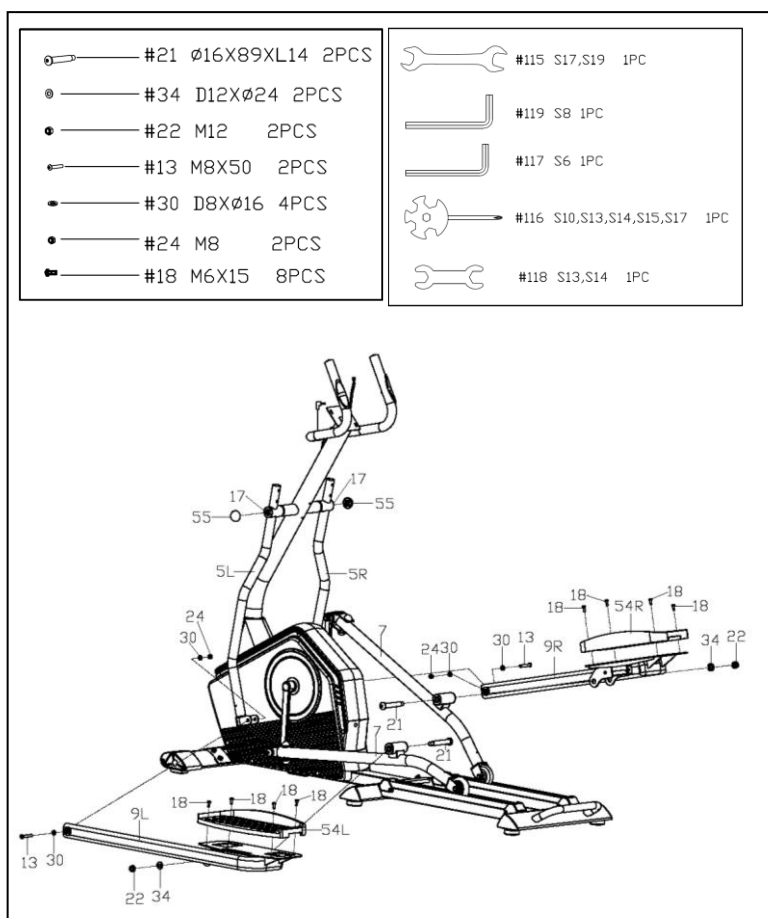
Retire 2 **Pernos Hexagonales (n.º 17)**, 2 **Arandelas Elásticas (n.º 36)**, 2 **Arandelas Planas (n.º 32)** y 2 **Arandelas Onduladas (n.º 73)** del **Eje Largo (n.º 46)** con la **Llave Inglesa (n.º 116)** y la **Llave Inglesa (n.º 118)**.

Inserte el **Eje Largo (n.º 46)** en el **Poste del Manillar (n.º 2)** y, a continuación, inserte las dos **Arandelas Onduladas (n.º 73)** que retiró a ambos lados del **Eje Largo (n.º 46)**.

Fije las **Barras Oscilantes Izquierda & Derecha (n.º 5L & n.º 5R)** a ambos lados del **Eje Largo (n.º 46)** utilizando 2 **Arandelas Planas (n.º 32)**, 2 **Arandelas Elásticas (n.º 36)** y 2 **Pernos Hexagonales (n.º 17)** que se retiraron. Apriete con la **Llave Inglesa (n.º 116)** y la **Llave Inglesa (n.º 118)**.

NOTA: No apriete los **Pernos Hexagonales (n.º 17)** durante este paso.

Valoramos su experiencia con los productos Sunny Health and Fitness. Para obtener asistencia con piezas o solución de problemas, póngase en contacto con nosotros en support@sunnyhealthfitness.com o 1-877-90SUNNY (877-907-8669).



PASO 4:

Fije los **Brazos del Pedales Izquierda & Derecha (n.º 9L & n.º 9R)** a los 2 **Brazos del Rodillo (n.º 7)** con 2 **Pernos de Bisagra del Pedal (n.º 21)**, luego coloque 2 **Arandelas Planas (n.º 34)** y 2 **Tuercas de Nailon (n.º 22)** en el extremo de los 2 **Pernos de Bisagra del Pedal (n.º 21)** con la **Llave Allen (n.º 119)** y la **Llave Inglesa (n.º 115)**.

NOTA: No apriete los **Pernos de Bisagra del Pedal (n.º 21)** durante este paso.

Fije **Brazos del Pedales Izquierda & Derecha (n.º 9L & n.º 9R)** a **Barras Oscilantes Izquierda & Derecha (n.º 5L & n.º 5R)** respectivamente con 2 **Pernos Allen (n.º 13)** y 2 **Arandelas Planas (n.º 30)**, luego coloque 2 **Arandelas Planas (n.º 30)** y 2 **Tuercas de Nailon (n.º 24)** con la **Llave Allen (n.º 117)** y la **Llave Inglesa (n.º 118)**.

NOTA: No apriete los **Pernos Allen (n.º 13)** durante este paso.

Fije **Pedales Izquierda & Derecha (n.º 54L & n.º 54R)** a los **Brazos del Pedales Izquierda & Derecha (n.º 9L & n.º 9R)** con 8 **Tornillos Phillips (n.º 18)** y la **Llave Inglesa (n.º 116)**.






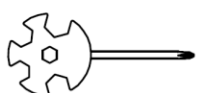
NOTA: Ambos **Pedales Izquierda & Derecha (n.º 54L & n.º 54R)** están etiquetados: L para IZQUIERDA y R para DERECHA.

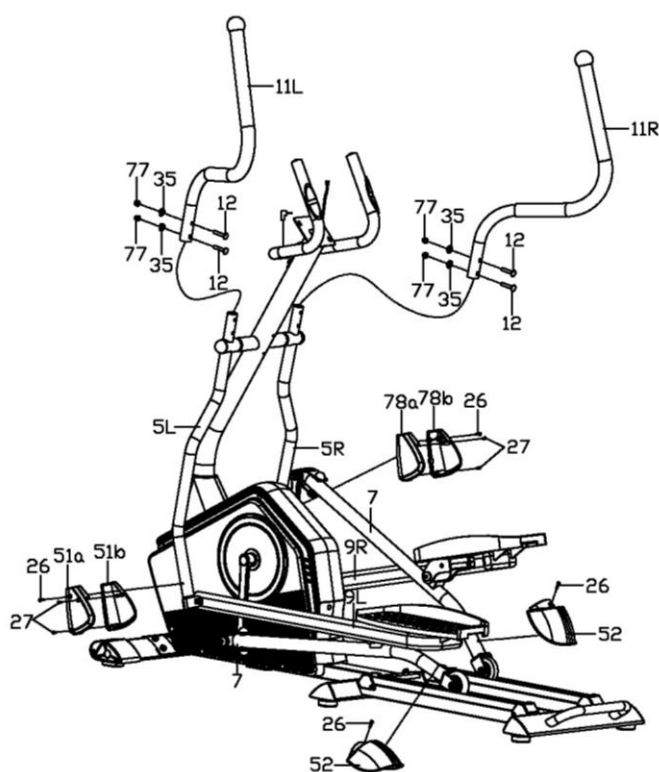
Ahora puede apretar los **Pernos Hexagonales (n.º 17)** del **PASO 3** con la **Llave Inglesa (n.º 116)** y la **Llave Inglesa (n.º 118)**.

Cubra con las 2 **Tapas de Tuerca (n.º 55)**. A continuación, apriete y fije los 2 **Pernos de Bisagra del Pedal (n.º 21)** y las 2 **Tuercas de Nailon (n.º 22)** con la **Llave Allen (n.º 119)** y la **Llave Inglesa (n.º 115)**.

NOTA: Asegúrese de que todos los pernos y arandelas están en su sitio y ahora puede apretar los **Pernos Allen (n.º 13)** con la **Llave Allen (n.º 117)** y la **Llave Inglesa (n.º 118)**.

Valoramos su experiencia con los productos Sunny Health and Fitness. Para obtener asistencia con piezas o solución de problemas, póngase en contacto con nosotros en support@sunnyhealthfitness.com o 1-877-90SUNNY (877-907-8669).

-  #12 M8XL45 4PCS
-  #77 M8 4PCS
-  #35 Ø20XD8,5XR25 4PCS
-  #26 ST4.2X18 4PCS
-  #27 ST3,5X12 4PCS
-  #116 S10,S13,S14,S15,S17 1PC



PASO 5:

Fije los **Manillares Izquierda & Derecha (n.º 11L & n.º 11R)** a las **Barras Oscilantes Izquierda & Derecha (n.º 5L & n.º 5R)** respectivamente con 4 **Pernos de Carro (n.º 12)**, 4 **Arandelas de Arco (n.º 35)** y 4 **Tuercas de Tapón (n.º 77)** con la **Llave Inglesa (n.º 116)**.

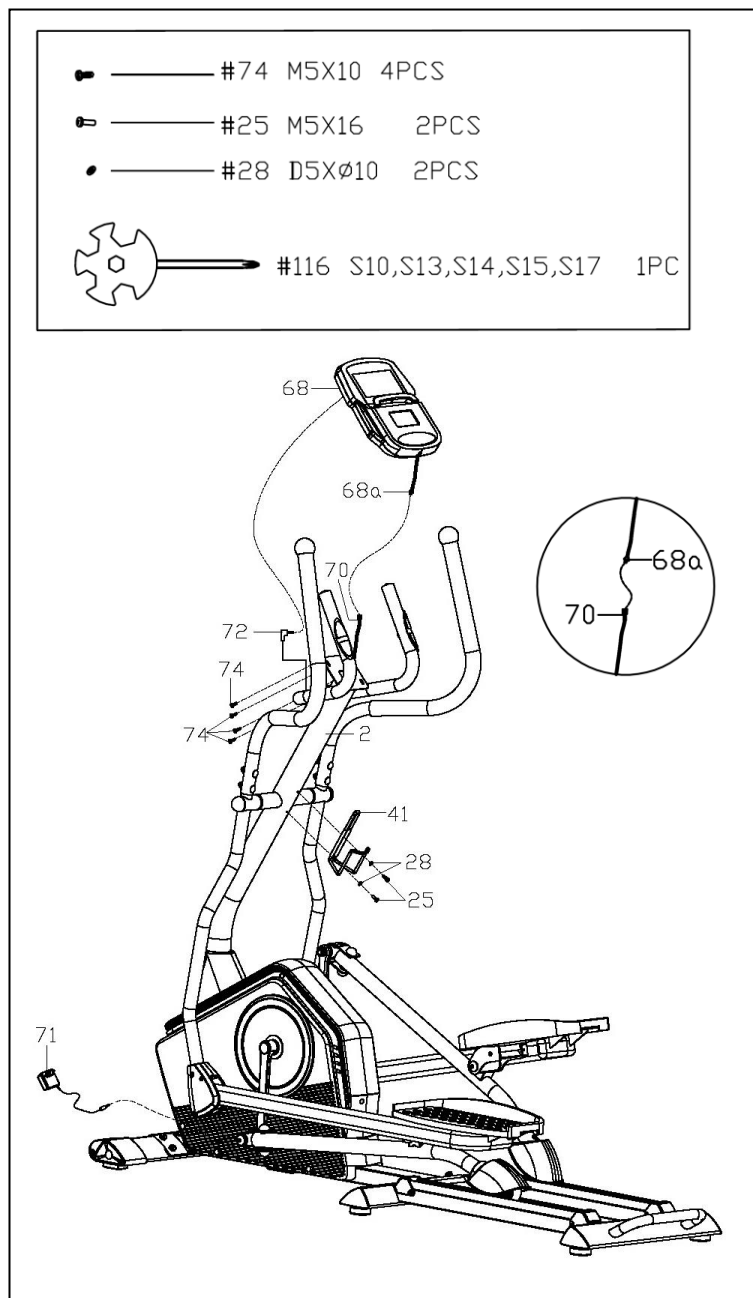
Retire 4 **Tornillos de Rosca Phillips (n.º 27)** de **Tapas para Barra Oscilante Izquierda A & B (n.º 51a & n.º 51b)** y **Tapas para Barra Oscilante Derecha A & B (n.º 78a & n.º 78b)** respectivamente con la **Llave Inglesa (n.º 116)**.

Retire los 2 **Tornillos de Rosca Phillips (n.º 26)** de las **Barras Oscilantes Izquierda & Derecha (n.º 5L & n.º 5R)** con la **Llave Inglesa (n.º 116)**. A continuación, coloque **Tapas para Barra Oscilante Izquierda A & B (n.º 51a & n.º 51b)** y **Tapas para Barra Oscilante Derecha A & B (n.º 78a & n.º 78b)** en las **Barras Oscilantes Izquierda & Derecha (n.º 5L & n.º 5R)** respectivamente con 4 **Tornillos de Rosca Phillips (n.º 27)** y 2 **Tornillos de Rosca Phillips (n.º 26)** que retiró. Apriételos y fíjelos con la **Llave Inglesa (n.º 116)**.

NOTA: Tanto la **Tapas para Barra Oscilante Izquierda A & B (n.º 51a & n.º 51b)** como la **Tapas para Barra Oscilante Derecha A & B (n.º 78a & n.º 78b)** están etiquetadas: L para IZQUIERDA y R para DERECHA.

Retire los 2 **Tornillos de Rosca Phillips (n.º 26)** de los 2 **Brazos de Rodillo (n.º 7)** con la **Llave Inglesa (n.º 116)**. A continuación, fije 2 **Cubiertas de Rodillo (n.º 52)** a 2 **Brazos de Rodillo (n.º 7)** respectivamente con 2 **Tornillos de Rosca Phillips (n.º 26)** que se retiraron. Apriételos y fíjelos con la **Llave Inglesa (n.º 116)**.

Valoramos su experiencia con los productos Sunny Health and Fitness. Para obtener asistencia con piezas o solución de problemas, póngase en contacto con nosotros en support@sunnyhealthfitness.com o 1-877-90SUNNY (877-907-8669).



PASO 6:

Retire los 4 **Tornillos Phillips (n.º 74)** del **Contador (n.º 68)** con la **Llave Inglesa (n.º 116)**.

Conecte el **Cable de Pulso (n.º 72)** al enchufe diseñado en la parte posterior del **Contador (n.º 68)**. A continuación, conecte el **Cable de Extensión del Sensor 2 (n.º 70)** al **Cable de Contador A (n.º 68a)**.

Fije el **Contador (n.º 68)** al soporte del **Poste del Manillar (n.º 2)** con 4 **Tornillos Phillips (n.º 74)** que fueron removidos. Apriételos y fíjelos con la **Llave Inglesa (n.º 116)**.

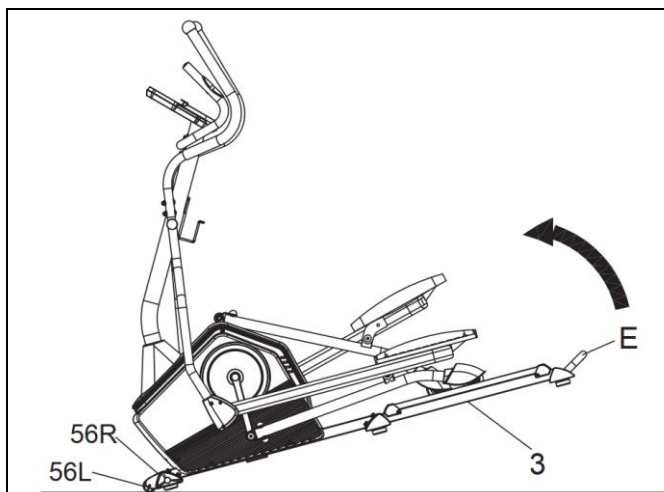
NOTA: Para evitar dañar los cables, colóquelos en el **Poste del Manillar (n.º 2)** antes de fijar el **Contador (n.º 68)** en el soporte.

Retire los 2 **Tornillos Phillips (n.º 25)** y las 2 **Arandelas Planas (n.º 28)** del **Poste del Manillar (n.º 2)** con la **Llave Inglesa (n.º 116)**. A continuación, fije el **Portabotellas (n.º 41)** al **Poste del Manillar (n.º 2)** con los dos 2 **Tornillos Phillips (n.º 25)** y las dos 2 **Arandelas Planas (n.º 28)** que retiró. Apriételos y fíjelos con la **Llave Inglesa (n.º 116)**.

Inserte el enchufe del **Adaptador (n.º 71)** en la entrada del adaptador en la parte delantera del **Marco Principal (n.º 1)**, luego enchufe el **Adaptador (n.º 71)** en un tomacorriente.

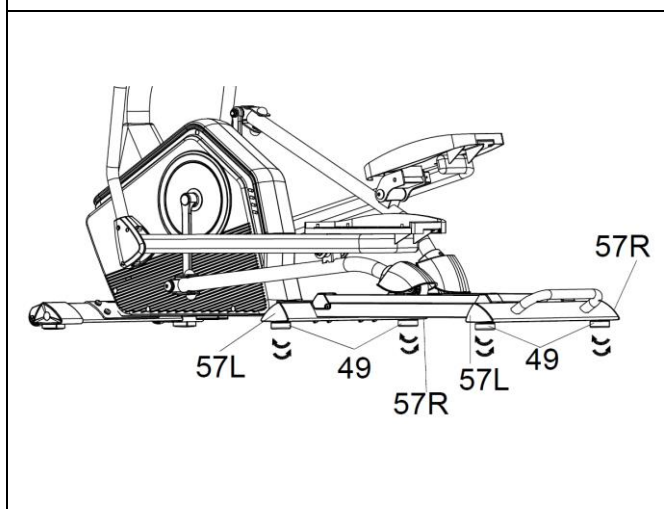
El montaje está completo.

GUÍA DE AJUSTE



CÓMO MOVER LA ELÍPTICA

Hay ruedas de transporte ubicadas en las tapas de los **Tapas Frontal Izquierda & Derecha (n.º 56L & n.º 56R)**. Sujete el **Manillar (n.º E)** del **Bastidor de Carril (n.º 3)** y tire hacia adelante para levantar la parte trasera de la máquina elíptica del suelo. Ahora puede mover la máquina elíptica.



AJUSTE DEL EQUILIBRIO

Para lograr un desplazamiento suave y cómodo, debe asegurarse de que la elíptica esté estable y sujeta. Si nota que la elíptica está desequilibrada durante el uso, debe ajustar las **Almohadillas Ajustables (n.º 49)** situadas debajo de las tapas de los **Tapas Trasera Izquierda & Derecha (n.º 57L & n.º 57R)**. Para ello, simplemente gire las **Almohadillas Ajustables (n.º 49)** hasta que la máquina elíptica quede nivelada con la superficie del suelo.

LIMPIEZA

La elíptica puede limpiarse con un paño suave, limpio y húmedo. No utilice abrasivos ni disolventes en las piezas de plástico. Por favor, limpie su transpiración de la elíptica después de cada uso. Tenga cuidado de que no entre demasiada humedad en el panel de visualización del medidor, ya que esto podría provocar riesgos eléctricos o fallos en los componentes electrónicos. Mantenga la bicicleta elíptica, especialmente el medidor, alejada de la luz solar directa para evitar daños en la pantalla.

Compruebe semanalmente que todos los tornillos de montaje y los pedales de la bicicleta elíptica están bien apretados.

ALMACENAMIENTO

Guarde la elíptica en un lugar limpio y seco, lejos del alcance de los niños.

INFORMACIÓN IMPORTANTE SOBRE LA ELÍPTICA

ADVERTENCIA:

Esta elíptica requiere una fuente de alimentación de **1 amperio (100-240V)** para funcionar correctamente. Por su seguridad, así como por la de los demás, compruebe que la fuente de alimentación es correcta antes de enchufar el equipo. Cualquier fuente de alimentación por encima o por debajo de este nivel podría causar daños significativos al equipo y/o al usuario.

INSTRUCCIONES DE OPERACIÓN

Enchufe el adaptador en la elíptica y en la toma de corriente.

El medidor se encenderá.

El medidor se apagará si no hay actividad durante 4 minutos cuando el Bluetooth no está conectado. Pulse cualquier tecla del medidor para volver a encenderlo.

NOTA: Puede seguir utilizando la máquina elíptica cuando no esté enchufada. Sin embargo, el medidor no funcionará y no podrá ajustar el nivel de resistencia ni utilizar ninguna de las funciones.



MEDIDOR DE EJERCICIO

FUNCIONES CLAVE:

BOTÓN	FUNCIÓN
START/STOP	Iniciar y pausar entrenamientos. Iniciar medición de grasa corporal.
DOWN (ABAJO)	Disminuir el nivel de resistencia durante el entrenamiento. Disminuir el valor del parámetro seleccionado.
UP (ARRIBA)	Aumentar el nivel de resistencia durante el entrenamiento. Aumentar el valor del parámetro seleccionado.
ENTER	Introducir el valor o el modo.
RECOVERY	Acceda a la función Recuperación cuando el medidor muestre el valor de la frecuencia cardíaca. Recuperación muestra F1-F6. F1 es una frecuencia cardíaca de recuperación excelente. F6 es una frecuencia cardíaca de recuperación deficiente.
MODE	Durante el entrenamiento, cambie la visualización de RPM a SPEED (VELOCIDAD), de ODO (ODÓMETRO) a DIST (DISTANCIA) y de WATT (VATIOS) a CAL (CALORÍAS). Mantenga pulsado durante 3 segundos para poner a cero todos los valores de las funciones, excepto ODO (ODÓMETRO).

SELECCIÓN DE ENTRENAMIENTO:

Después de encender el medidor enchufando el adaptador o, si ya está enchufado, pulsando cualquier botón del medidor, utilice los botones UP (ARRIBA) o DOWN (ABAJO) para realizar una selección. A continuación, pulse el botón ENTER para seleccionar el modo deseado.

Hay 7 modos básicos de entrenamiento:

Programa Manual, Programas Preestablecidos, Programa de Control de Vatios, Programa de Grasa Corporal, Programa de Frecuencia Cardíaca Objetivo, Programas de Control de Frecuencia Cardíaca y Programas de Usuario.

FUNCIONES:

SPEED (VELOCIDAD): Muestra la velocidad de entrenamiento actual. La velocidad máxima es de 99,9 MPH.

RPM: Muestra la rotación actual por minuto.

TIME (TIEMPO): Acumula el tiempo de entrenamiento de 0:00 a 99:59. Los usuarios pueden preestablecer el tiempo objetivo que deseen.

DIST (DISTANCIA): Acumula la distancia de entrenamiento de 0,00 a 999,9 Millas. Los usuarios

pueden preestablecer la distancia objetivo que desean alcanzar.

ODO (ODÓMETRO): Muestra la distancia total acumulada de 0 a 9999 Millas.

CAL (CALORÍAS): Acumula las calorías quemadas de 0 a 9999. Los usuarios pueden preestablecer las calorías objetivo que desean quemar.

WATT (VATIOS): Muestra los vatios actuales.

HEART RATE (FRECUENCIA CARDIACA): Muestra la frecuencia cardiaca actual en pulsaciones por minuto.

TARGET HR. (FRECUENCIA CARDIACA OBJETIVO): Los usuarios pueden predefinir su Frecuencia Cardíaca Objetivo.

PROGRAM (PROGRAMA): Hay 24 programas diferentes para elegir para el entrenamiento.

LEVEL (NIVEL): El programa tiene 10 columnas de barras y 8 barras en cada columna. Cada columna representa un entrenamiento de 1 minuto y cada barra representa 2 niveles de resistencia.

PARÁMETROS DE ENTRENAMIENTO:

TIME (TIEMPO) / DIST (DISTANCIA) / CAL (CALORÍAS) / AGE (EDAD) / WATT (VATIOS) / TARGET HR. (FRECUENCIA CARDIACA OBJETIVO)

CONFIGURACIÓN DE LOS PARÁMETROS DE ENTRENAMIENTO

Después de seleccionar el modo de entrenamiento deseado: Programa Manuale, Programas Preestablecidos, Programa de Control de Vatios, Programa de Grasa Corporal, Programa de Frecuencia Cardiaca Objetivo, Programas de Control de Frecuencia Cardiaca y Programas de Usuario. Puede preajustar varios parámetros de entrenamiento para obtener los resultados deseados.

NOTA: ALGUNOS PARÁMETROS NO SON AJUSTABLES EN DETERMINADOS PROGRAMAS. EL TIME (TIEMPO) Y LA DISTANCIA NO PUEDEN CONFIGURARSE AL MISMO TIEMPO.

Una vez seleccionado un programa, pulse el botón ENTER y TIME parpadeará.

Con los botones UP (ARRIBA) o DOWN (ABAJO) puede seleccionar el valor de tiempo deseado.

Pulse el botón ENTER para introducir los valores. El indicador parpadeante pasará al siguiente parámetro. Continúe utilizando los botones UP (ARRIBA) o DOWN (ABAJO). Pulse el botón START/STOP para comenzar el entrenamiento.

MÁS INFORMACIÓN SOBRE LA CONFIGURACIÓN DE LOS PARÁMETROS DE ENTRENAMIENTO

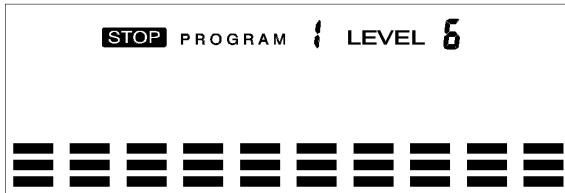
Campo	Ajuste Rango	Valor por Defecto	Incremento/ Disminución	Descripción
TIME (TIEMPO)	0:00~99:00	0:00	±1:00	1..Cuando la pantalla está ajustada como 0:00, el TIME (TIEMPO) contará hacia arriba. 2.. Cuando el TIME (TIEMPO) está ajustado como 1:00-99:00, la cuenta atrás llegará a
DIST (DISTANCIA)	0.00~999.0	0.00	±1.00	1..Cuando la pantalla se configura como 0.00, DIST (DISTANCIA) contará hacia arriba. 2..Cuando DIST (DISTANCIA) está ajustada como 1.00~999.0, la cuenta regresiva será 0.00.
CAL (CALORÍAS)	0.00~9995	0.00	±5.00	1..Cuando la pantalla está en 0.00, las CAL (CALORÍAS) contarán hacia arriba. 2. Cuando las CAL (CALORÍAS) se fijan como 5.00~9995, contará hacia abajo a 0.00.
WATT (VATIOS)	50~250	100	±5	El usuario sólo puede ajustar el valor de vatios en el programa de control de vatios.

AGE (EDAD)	10~99	30	±1	La FC objetivo se basará en la edad. Cuando la Frecuencia Cardíaca supere la FC objetivo, el número de Frecuencia Cardíaca parpadeará.
TARGET HR. (FRECUENCIA CARDIACA OBJETIVO)	60~220	60	±1	Parámetros de ajuste de la Frecuencia Cardíaca Objetivo.

FUNCIONAMIENTO DEL PROGRAMA:

PROGRAMA MANUAL (P1)

Perfil del Programa



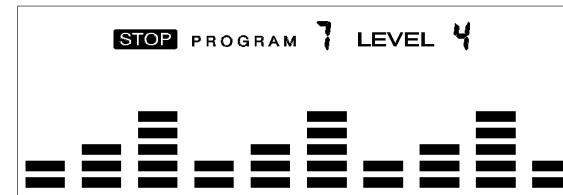
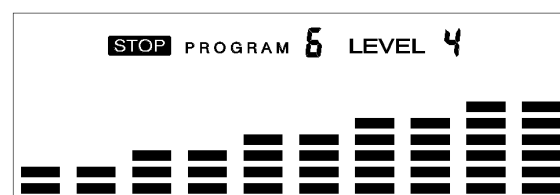
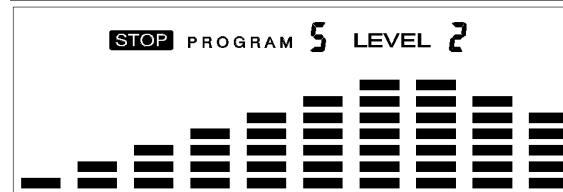
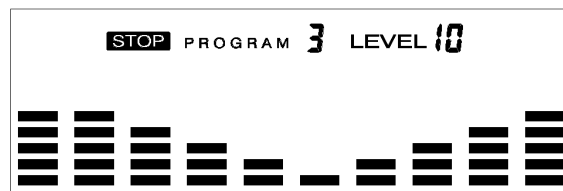
PARAMETRIZACIÓN DEL PROGRAMA MANUAL

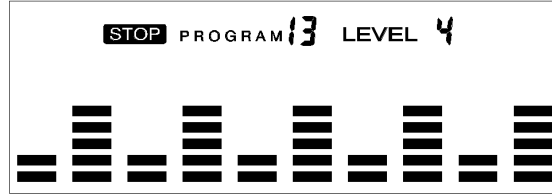
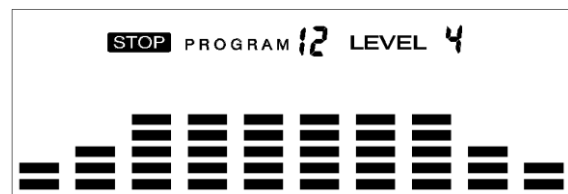
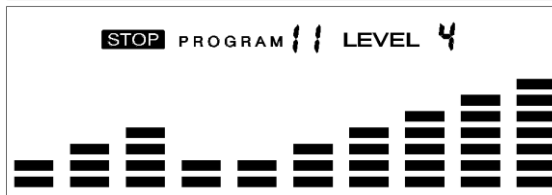
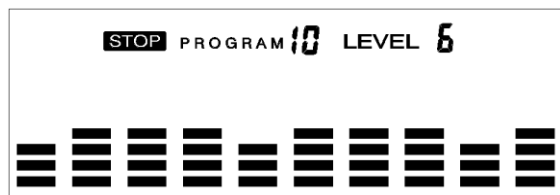
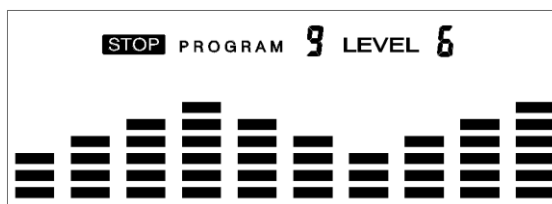
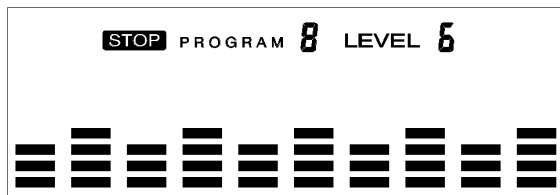
1. Seleccione **Programa Manual (P1)** con los botones UP (ARRIBA) o DOWN (ABAJO) y, a continuación, pulse el botón ENTER.
2. TIME parpadeará para poder ajustar el valor con los botones UP (ARRIBA) o DOWN (ABAJO).
3. Pulse el botón ENTER para guardar el valor y pasar al siguiente parámetro a ajustar.
NOTA: Si configura el tiempo objetivo para el entrenamiento, el siguiente parámetro de DIST (DISTANCIA) no podrá ajustarse.
4. Continúe con todos los parámetros deseados y pulse el botón START/STOP para comenzar el entrenamiento.

NOTA: Una vez que la cuenta atrás del parámetro de entrenamiento llegue a cero, sonará un pitido y se detendrá el entrenamiento automáticamente. Pulse el botón START/STOP para continuar el entrenamiento hasta alcanzar el parámetro de entrenamiento no finalizado.

PROGRAMAS PREESTABLECIDOS (P2~P13)

Perfil del Programa





Hay 12 programas preestablecidos listos para usar. Todos los perfiles de programa tienen 16 niveles de resistencia.

PARAMETRIZACIÓN DE PROGRAMAS PREESTABLECIDOS

1. Seleccione uno de los **Programas Preestablecidos** utilizando las teclas UP (ARRIBA) o DOWN (ABAJO) y, a continuación, pulse la tecla ENTER. TIME parpadeará para poder ajustar el valor con la tecla UP (ARRIBA) o DOWN (ABAJO).
2. Pulse el botón ENTER para guardar el valor y pasar al siguiente parámetro a ajustar. Continúe a través de todos los parámetros deseados, pulsando el botón START/STOP para comenzar el entrenamiento.

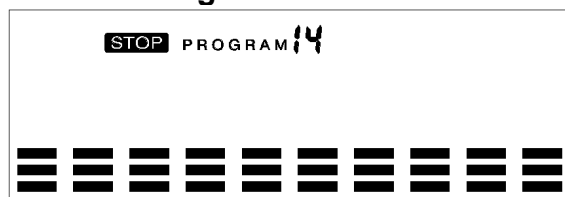
ENTRENAMIENTO EN CUALQUIER PROGRAMA PREESTABLECIDO

Puede ajustar el nivel de resistencia pulsando el botón UP (ARRIBA) o DOWN (ABAJO) durante el entrenamiento.

NOTA: Si configura el tiempo objetivo para el entrenamiento, el siguiente parámetro de DIST (DISTANCIA) no se puede ajustar. Una vez que el parámetro de entrenamiento llegue a cero, sonará un pitido y el entrenamiento se detendrá automáticamente. Pulse el botón START/STOP para continuar con el parámetro no finalizado.

PROGRAMA DE CONTROL DE VATIOS (P14)

Perfil del Programa



AJUSTE DE LOS PARÁMETROS DEL PROGRAMA DE CONTROL DE VATIOS

1. Seleccione **Programa de Control de Vatios (P14)** con los botones UP (ARRIBA) o DOWN (ABAJO) y, a continuación, pulse el botón ENTER.
2. TIEMPO parpadeará para que el valor pueda ajustarse utilizando los botones UP (ARRIBA) o DOWN (ABAJO).
3. Pulse el botón ENTER para guardar el valor y pasar al siguiente parámetro a ajustar.

NOTA: Si configura el tiempo objetivo para el entrenamiento, el siguiente parámetro de DIST (DISTANCIA) no podrá ajustarse.

4. Continúe con todos los parámetros deseados, pulsando el botón START/STOP para iniciar el entrenamiento.

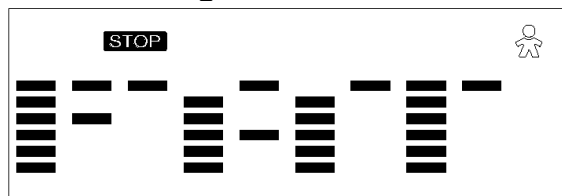
NOTA: Una vez que la cuenta atrás de los parámetros de entrenamiento llegue a cero, emitirá un pitido y detendrá el entrenamiento automáticamente.

5. Pulse el botón START/STOP para continuar el entrenamiento hasta alcanzar el parámetro de entrenamiento no finalizado.

El medidor ajustará la carga de resistencia automáticamente dependiendo de la velocidad para mantener el valor de vatios constante. Puede utilizar los botones UP (ARRIBA) o DOWN (ABAJO). para ajustar el valor en vatios durante el entrenamiento.

PROGRAMA DE GRASA CORPORAL (P15)

Perfil del Programa



AJUSTE DE LOS DATOS PARA LA GRASA CORPORAL

Seleccione el **Programa de Grasa Corporal (P15)** con los botones UP (ARRIBA) o DOWN (ABAJO) y, a continuación, pulse el botón ENTER. "MASCULINO" parpadeará para que pueda ajustarse el género utilizando los botones UP (ARRIBA) o DOWN (ABAJO). Pulse el botón ENTER para guardar el género y pasar al siguiente dato.

"5'8 (pulgadas)" de Altura parpadeará para que la Altura pueda ajustarse utilizando los botones UP (ARRIBA) o DOWN (ABAJO). Pulse ENTER para guardar el valor y pasar al siguiente dato.

"154 (lbs)" de Peso parpadeará para que pueda ajustarse el Peso con los botones UP (ARRIBA) o DOWN (ABAJO). Pulse ENTER para guardar el valor y pasar al dato siguiente.

"30" de Edad parpadeará para que pueda ajustarse la Edad con los botones UP (ARRIBA) o DOWN (ABAJO). Pulse ENTER para guardar el valor.

Pulse el botón START/STOP para iniciar la medición. Por favor, recuerde también agarrar los sensores de pulso de la mano. Después de 15 segundos, la pantalla mostrará el % de grasa corporal, BMR, IMC y TIPO DE CUERPO.

TIPOS DE CUERPO:

Existen 9 tipos de cuerpo divididos según el % de GRASA calculado.

Tipo de Cuerpo	GRASA %	Tipo de Cuerpo	GRASA %	Tipo de Cuerpo	GRASA %
Tipo 1	5% - 9%	Tipo 4	20% - 24%	Tipo 7	35% - 39%
Tipo 2	10% - 14%	Tipo 5	25% - 29%	Tipo 8	40% - 44%
Tipo 3	15% - 19%	Tipo 6	30% - 34%	Tipo 9	45% - 50%

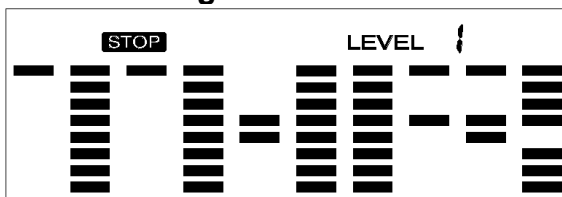
BMR: Ratio de Metabolismo Basal

IMC: Índice de masa corporal

Pulse el botón START/STOP para volver a la pantalla principal.

PROGRAMA DE FRECUENCIA CARDIACA OBJETIVO (P16)

Perfil del Programa

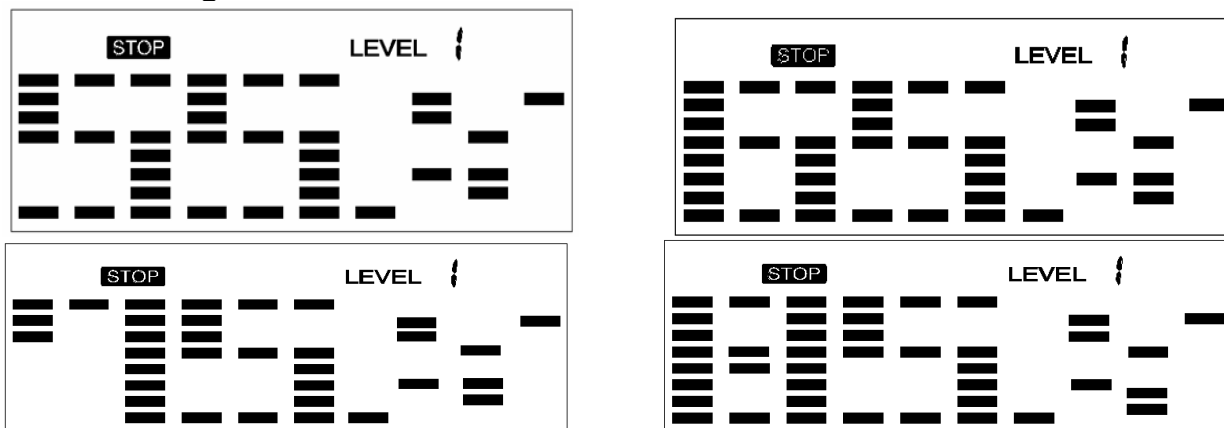


CONFIGURACIÓN DE LOS PARÁMETROS DEL PROGRAMA DE FRECUENCIA CARDÍACA OBJETIVO

1. Seleccione **Programa de Frecuencia Cardíaca Objetivo (P16)** con los botones UP (ARRIBA) o DOWN (ABAJO) y, a continuación, pulse el botón ENTER.
2. TIME parpadeará. El valor puede ajustarse utilizando los botones UP (ARRIBA) o DOWN (ABAJO).
3. Pulse el botón ENTER para guardar el valor y pasar al siguiente parámetro a ajustar.
NOTA: Si ajusta el tiempo objetivo de entrenamiento, el siguiente parámetro de DIST (DISTANCIA) no se podrá ajustar.
4. Continúe con todos los parámetros deseados, pulsando el botón START/STOP para iniciar el entrenamiento.
NOTA: Si la frecuencia cardíaca está por encima de la TARGET HR. (FRECUENCIA CARDÍACA OBJETIVO) establecida, el valor de Pulso parpadeará para recordárselo al usuario.

PROGRAMAS DE CONTROL DE FRECUENCIA CARDÍACA (P17-P20)

Perfil del Programa



Hay 4 selecciones para el pulso objetivo (HR):

- HRC - 55% FC OBJETIVO= 55% of (220-EDAD)
- HRC - 65% FC OBJETIVO= 65% of (220-EDAD)
- HRC - 75% FC OBJETIVO= 75% of (220-EDAD)
- HRC - 85% FC OBJETIVO= 85% of (220-EDAD)

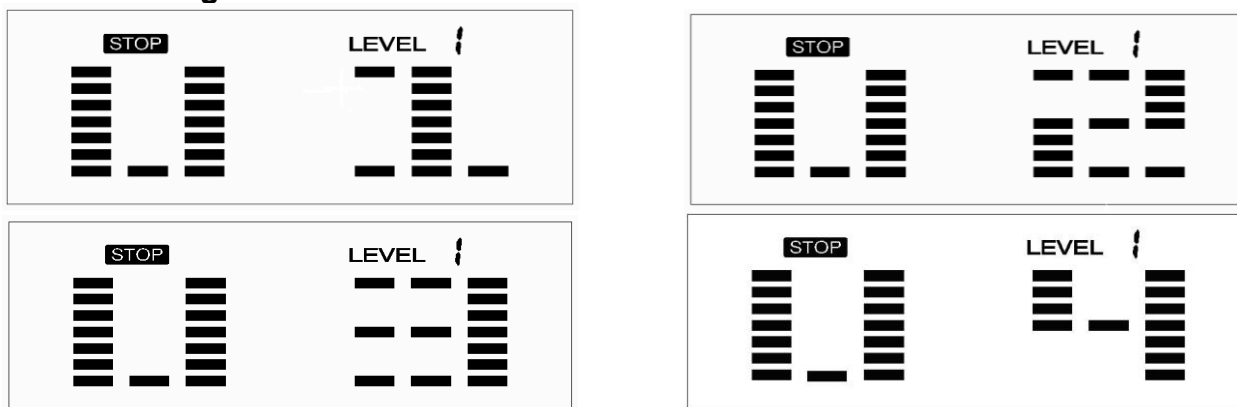
AJUSTE DE LOS PARÁMETROS PARA EL CONTROL DE LA FRECUENCIA CARDÍACA

1. Seleccione uno de los **Programas de Control de Frecuencia Cardíaca** con los botones UP (ARRIBA) o DOWN (ABAJO) y, a continuación, pulse el botón ENTER.
2. TIME parpadeará. El valor puede ajustarse utilizando los botones UP (ARRIBA) o DOWN (ABAJO).
3. Pulse el botón ENTER para guardar el valor y pasar al siguiente parámetro a ajustar.
NOTA: Si ajusta el tiempo objetivo para hacer ejercicio, el siguiente parámetro de DIST (DISTANCIA) no se podrá ajustar.
4. Continúe a través de todos los parámetros deseados, pulsando el botón START/STOP para iniciar el entrenamiento.
NOTA: Si la frecuencia cardíaca está por encima o por debajo (± 5) de la TARGET HR. (FRECUENCIA CARDÍACA OBJETIVO), el medidor ajustará la carga de resistencia automáticamente. Comprobará cada 20 segundos aprox. 1 carga de resistencia aumentará o disminuirá (NOTA: cada carga de resistencia representa 2 niveles de carga).

Si uno de los parámetros del entrenamiento llega a cero, sonará un pitido y el entrenamiento se detendrá automáticamente. Pulse el botón START/STOP para continuar el entrenamiento hasta alcanzar el parámetro de entrenamiento inacabado.

PROGRAMA DE USUARIO (P21-P24)

Perfil del Programa



Los 4 programas de usuario permiten al usuario establecer su propio programa que se puede utilizar inmediatamente.

PARAMETRIZACIÓN DEL PROGRAMA DE USUARIO

1. Seleccione el **Programa de Usuario** utilizando los botones UP (ARRIBA) o DOWN (ABAJO) y, a continuación, pulse el botón ENTER.
2. TIEMPO parpadeará para que el valor pueda ajustarse utilizando los botones UP (ARRIBA) o DOWN (ABAJO).
3. Pulse el botón ENTER para guardar los valores y pasar al siguiente parámetro a ajustar.
NOTA: Si ajusta el tiempo objetivo para hacer ejercicio, el siguiente parámetro de DIST (DISTANCIA) no podrá ajustarse.
4. Continúe a través de todos los parámetros deseados.
5. Después de terminar el ajuste de los parámetros deseados, el nivel 1 parpadeará. Utilice el botón UP (ARRIBA) o DOWN (ABAJO) para ajustar, luego pulse el botón ENTER hasta terminar. (Hay 10 veces en total). Pulse el botón START/STOP para comenzar el entrenamiento.

NOTA: Una vez que el parámetro de entrenamiento llegue a cero, sonará un pitido y el entrenamiento se detendrá automáticamente. Pulse el botón START/STOP para continuar el entrenamiento hasta alcanzar el parámetro de entrenamiento no finalizado.

DATOS TÉCNICOS

Conectividad: Bluetooth LE

Gama de frecuencias: 2400~2483.5 Mhz

Potencia de transmisión: 0 dBm

CONEXIÓN A LA APP:

Conecte el equipo inteligente a la SunnyFit App:

1. Escanee para descargar SunnyFit de la tienda de aplicaciones:



2. Asegúrese de que la función Bluetooth está activada desde su dispositivo móvil.
3. Si es la primera vez que utiliza la aplicación SunnyFit, siga las instrucciones de la aplicación para registrarse en su cuenta gratuita de SunnyFit e inicie sesión.
4. Comience cualquier actividad de entrenamiento que coincida con su equipo inteligente y, a continuación, siga las indicaciones en pantalla para buscar y conectarse a su equipo inteligente.
5. Una vez conectado, sus estadísticas y récords se mostrarán al final de su curso/sesión y se registrarán en el perfil de su cuenta.

Solución de problemas:

- Si tienes problemas para conectar tu equipo inteligente, visita www.sunnyfit.com/guide o escanea el siguiente código QR:



- Si necesitas más ayuda, ponte en contacto con support@sunnyfit.com.

SOLUCIÓN DE PROBLEMAS

PROBLEMA	POSIBLE CAUSA	COMPROBAR	SOLUCIÓN
E1-1	El motor no encontraba su punto de arranque.	Compruebe si todos los cables están bien enchufados o compruebe si las clavijas de los cables están mal insertadas. O compruebe si el motor está bien conectado.	Enchufe de nuevo los cables y enciéndalos, después pulse los botones MODE y ENTER al mismo tiempo para entrar en el modo de corrección de errores.
E1-2	La señal del motor no tiene inducción.	Compruebe si todos los cables están bien enchufados o si las clavijas de los cables están mal insertadas. O compruebe si el motor está atascado.	Vuelve a enchufar los cables o cambia un motor nuevo.
E1-3	El motor ha superado el nivel máximo de resistencia.	Compruebe si todos los cables están bien enchufados o si las clavijas de los cables están mal insertadas.	Enchufe de nuevo los cables y enciéndalos, 1 segundo después desconecte los cables y vuelva a enchufar los cables y enciéndalos de nuevo, espere unos 6 segundos deje que el motor vuelva a su punto inicial, después pulse los botones MODE y ENTER al mismo tiempo para entrar en el modo de corrección de errores.
E2	No se han leído datos de la EEPROM.		Vuelva a conectar el contador.
	Error de lectura de datos de la EEPROM.		Vuelva a encender el medidor para volver a leer los datos.
E4	Las manos no se ponen en los dos pulsos de la empuñadura inmediatamente después de pulsar el botón START/STOP.		Coloque las manos en los dos pulsadores de la empuñadura inmediatamente después de pulsar el botón START/STOP.
	La función de grasa corporal no puede recibir la señal de pulso.	Compruebe si los cables del pulso de la manilla están bien conectados. Compruebe si el pulso funciona cuando no está en el Programa de grasa corporal.	Vuelva a enchufar los cables de impulsos de la empuñadura o cambie los cables de impulsos de la empuñadura. Cambia el contador.

NOTA: Si no puede resolver un problema con la guía de solución de problemas anterior, póngase en contacto con el servicio de atención al cliente en support@sunnyhealthfitness.com.

LISTA DE PIEZAS

n.º	Descripción	Espec.	Cant.
1	Marco Principal		1
2	Poste del Manillar		1
3	Bastidor de Carril		1
4	Estabilizador Delantero		1
5L	Barra Oscilante Izquierda		1
5R	Barra Oscilante Derecha		1
6	Manillar Fijo		1
7	Brazo de Rodillo		2
8	Articulación de Brazo de Rodillo		2
9L	Brazo del Pedal Izquierda		1
9R	Brazo del Pedal Derecha		1
10	Articulación de la Barra Oscilante		2
11L	Manillar Izquierda		1
11R	Manillar Derecha		1
12	Perno de Carro	M8XL45	4
13	Perno Allen	M8X50	2
14	Perno Allen	M8X20	2
15	Perno Allen	M8X20	16
16	Perno Allen de Cabeza Plana	M8X15	4
17	Perno Hexagonal	M8X20	2
18	Tornillo Phillips	M6X15	8
19	Perno Hexagonal	M10X65	2
20	Perno Hexagonal	M6X15	11
21	Perno de Bisagra del Pedal	Φ16X89XL14	2
22	Tuerca de Nailon	M12	2
23	Tuerca de Nailon	M10	2
24	Tuerca de Nailon	M8	3
25	Tornillo Phillips	M5X16	2
26	Tornillo de Rosca Phillips	ST4.2X18	32
27	Tornillo de Rosca Phillips	ST3.5X12	4
28	Arandela Plana	D5XΦ10	2
29	Arandela Plana	D6XΦ19	6
30	Arandela Plana	D8XΦ16	13
31	Arandela Plana	D8XΦ30	2
32	Arandela Plana	D8XΦ38	2
33	Arandela Plana	D10XΦ20	2

n.º	Descripción	Espec.	Cant.
34	Arandela Plana	D12XΦ24	2
35	Arandela de Arco	Φ20XD8.5XR25	12
36	Arandela Elástica	D8	20
37	Rodamiento	6900ZZ	4
38-1	Eje de Rodillos	Φ10X47.5	2
39	Buje de Aleación	Φ18XΦ10X11	4
40-1	Separador de Rodillos	Φ16X11.8	4
41	Portabotellas		1
42L	Manivela Izquierda		1
42R	Manivela Derecha		1
43L	Perno de la Bisagra de la Manivela Izquierda	Φ16X69	1
43R	Perno de la Bisagra de la Manivela Derecha	Φ16X69	1
44	Arandela Elástica	Φ13XB2	2
45L	Manivela Tuerca de Nailon Izquierda	B0.5X20	1
45R	Manivela Tuerca de Nailon Derecha	B0.5X20	1
46	Eje Largo	Φ19.5X332	1
47	Raíl de Aluminio	42X22X635	2
48	Espaciador de Barra Oscilante	Φ16.4XΦ8X33.5	2
49	Almohadilla Ajustable	M10X30	4
50	Tapa del Mástil		1
51a	Tapa para Barra Oscilante Izquierda A		1
51b	Tapa para Barra Oscilante Izquierda B		1
52	Cubierta de Rodillo		2
53	Tapa de Riel de Aluminio		4
54L	Pedal Izquierda		1
54R	Pedal Derecha		1
55	Tapa de Tuerca	S13	2
56L	Tapa Frontal Izquierda		1
56R	Tapa Frontal Derecha		1
57L	Tapa Trasera Izquierda	97XΦ51X33	2
57R	Tapa Trasera Derecha	97XΦ51X33	2
58-1	Rueda	Φ80X24	2
59	Agarre de Espuma	Φ24XΦ30X480	2
60	Agarre de Espuma	Φ31XΦ37X600	2
61	Tapa de Seta	Φ32X1.5	2
62	Tapa Redonda	Φ25X1.5	2

n.º	Descripción	Espec.	Cant.
63	Tapa Ovalada		2
64	Tapa de Tuerca	S17	4
65	Enchufe de Cable	Φ12X11XΦ3	1
66	Casquillo de Plástico	Φ38XΦ19.5X26	6
67	Casquillo de Plástico	Φ28XΦ16.4X16	4
68	Contador	TZ-4113P	1
68a	Cable de Contador A		1
69	Cable de Extensión del Sensor 1	800 mm	1
70	Cable de Extensión del Sensor 2	1200 mm	1
71	Adaptador		1
72	Cable de Pulso	650 mm	1
73	Arandela Ondulada	D20	5
74	Tornillo Phillips	M5X10	4
75	Sensor de Pulso		2
76	Arandela Ondulada	D17	2
77	Tuerca de Tapón	M8	4
78a	Tapa para Barra Oscilante Derecha A		1
78b	Tapa para Barra Oscilante Derecha B		1
79	Casquillo de Plástico	Φ32X2.0	8
80	Rodamiento	6001	4
81	Volante Eje	Φ24X103	1
82	Volante	Φ240X40 4kgs	1
83	Cinturón	405 PJ6	1
84	Arandela Plana	D6XΦ16X1.5	3
85	Rueda Loca	Φ39X24	1
86	Enganche de la Rueda Loca		1
87L	Tapa del Cinturón Izquierda		1
87R	Tapa del Cinturón Derecha		1
88	Tornillo Phillips	M6X8	2
89	Tapa de la Manivela		2
90	Cable de Tensión	500 mm	1
91	Ranura de la Brida	M12X1.25	2
92	Arandela de Resorte del Eje	D20	2
93	Rodamiento	6004	2

n.º	Descripción	Espec.	Cant.
94	Muelle de Tracción	Φ1.6XΦ15XL55	1
95	Eje Central	Φ20X210	1
96	Tapa de Manivela		2
97	Perno de Pivote	Φ14XΦ10XM8X20.5	1
98	Muelle de Tracción	Φ18XΦ2.8XL114	1
99	Tuerca Hexagonal	M5	2
100	Perno Hexagonal	M5X60	1
101	Polea de Correa	Φ260	1
102	Arandela Elástica	D6	9
103	Tuerca de Nailon	M6	5
104	Tapón de Tubo	Φ25X22	2
105	Motor		1
106	Tapa Cuadrada	80X40X1.5	1
107	Arandela de Resorte del Eje	D12	2
108	Pizarra Magnética Eje	Φ12X73	1
109	Pizarra Magnética		1
110	Imán Cuadrado	40X25X10	4
111	Arandela Ondulada	D12	1
112	Tornillo Phillips	M6X10	4
113	Placa Fija		2
114	Tornillo Phillips	M6X12	2
115	Llave Inglesa	S17, S19	1
116	Llave Inglesa	S10, S13, S14, S15, S17	1
117	Llave Allen	S6	1
118	Llave Inglesa	S13, S14	1
119	Llave Allen	S8	1
120	Soporte de Rodamientos		2
121	Perno de Ajuste	M6X50	1
122	Tuerca Hexagonal	M10	2
123	Soporte del Sensor		1
124	Cable CC	600 mm	1
125	Cable del Sensor	300 mm	1
126	Separador	Φ10.5XΦ14X12.2	2

INFORMATIONS IMPORTANTES SUR LA SÉCURITÉ

Nous vous remercions d'avoir choisi notre produit. Pour garantir votre sécurité et votre santé, veuillez utiliser cet appareil correctement. Il est important de lire l'intégralité de ce manuel avant d'assembler et d'utiliser l'appareil. Une utilisation sûre et efficace n'est possible que si l'équipement est assemblé, entretenu et utilisé correctement. Il est de votre responsabilité de vous assurer que tous les utilisateurs de l'équipement sont informés de tous les avertissements et précautions.

1. Avant de commencer un programme d'exercices, vous devez consulter votre médecin pour déterminer si vous avez des problèmes médicaux ou physiques qui pourraient mettre votre santé et votre sécurité en danger ou vous empêcher d'utiliser l'équipement correctement. L'avis de votre médecin est indispensable si vous prenez des médicaments qui affectent votre rythme cardiaque, votre tension artérielle ou votre taux de cholestérol.
2. Soyez attentif aux signaux de votre corps. Un exercice incorrect ou excessif peut nuire à votre santé. Arrêtez de faire de l'exercice si vous ressentez l'un des symptômes suivants : douleur, oppression thoracique, rythme cardiaque irrégulier, essoufflement, étourdissements, vertiges ou sensation de nausée. Si vous présentez l'un de ces symptômes, consultez votre médecin avant de poursuivre votre programme d'exercices.
3. Tenez les enfants et les animaux domestiques à l'écart de l'appareil. L'appareil est conçu pour être utilisé par des adultes uniquement.
4. Utilisez l'appareil sur une surface solide et plane, recouverte d'une housse de protection pour le sol ou la moquette. Pour garantir la sécurité, l'appareil doit être entouré d'un espace libre d'au moins 60 cm (2 ft).
5. Assurez-vous que tous les écrous et les boulons sont bien serrés avant d'utiliser l'équipement. La sécurité de l'équipement ne peut être maintenue que s'il est régulièrement examiné pour détecter les dommages et/ou l'usure.
6. Utilisez toujours l'appareil comme indiqué. Si vous trouvez des composants défectueux lors du montage ou de la vérification de l'appareil, ou si vous entendez des bruits inhabituels provenant de l'appareil pendant l'exercice, cessez immédiatement d'utiliser l'appareil et ne l'utilisez pas tant que le problème n'a pas été résolu.
7. Portez des vêtements appropriés lorsque vous utilisez l'appareil. Évitez de porter des vêtements amples qui pourraient s'emmêler dans l'appareil.
8. Ne placez pas vos doigts ou des objets dans les parties mobiles de l'appareil.
9. La capacité de charge maximale de cet appareil est de 120 kgs (265 lbs).
10. L'appareil n'est pas adapté à un usage thérapeutique.
11. Pour éviter les blessures corporelles et/ou les dommages au produit ou à la propriété, il est nécessaire de soulever et de déplacer correctement l'appareil.
12. Votre produit est destiné à être utilisé dans des conditions fraîches et sèches. Il convient d'éviter de le stocker dans des endroits extrêmement froids, chauds ou humides, car cela peut entraîner de la corrosion et d'autres problèmes connexes.
13. Cet appareil est conçu pour un usage intérieur et domestique uniquement. Il n'est pas destiné à un usage commercial !

INSTRUCTIONS DE SÉCURITÉ IMPORTANTES

Lisez toutes les instructions avant d'utiliser (cet appareil).

Lors de l'utilisation d'un appareil électrique, des précautions de base doivent toujours être prises, notamment les suivantes:

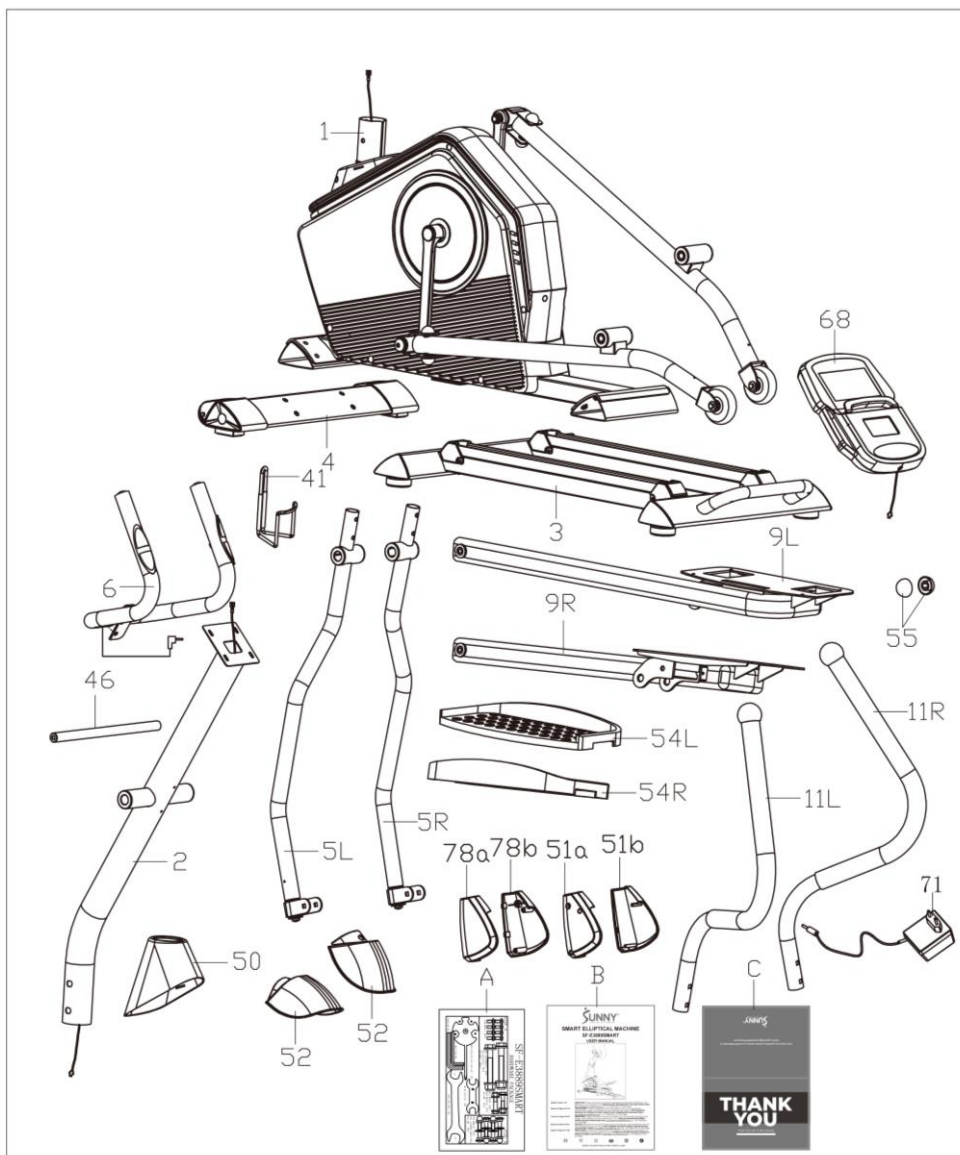
AVERTISSEMENT - Pour réduire les risques de brûlures, d'incendie, d'électrocution ou de blessures:

1. Cet appareil n'est pas destiné à être utilisé par des personnes dont les capacités physiques, sensorielles ou mentales sont réduites, ou qui manquent d'expérience et de connaissances, à moins qu'elles n'aient reçu une surveillance ou des instructions concernant l'utilisation de l'appareil de la part d'une personne responsable de leur sécurité. Tenez les enfants de moins de 13 ans à l'écart de cette machine.
2. N'utilisez ce matériel que pour l'usage auquel il est destiné, tel qu'il est décrit dans ce manuel. N'utilisez pas d'accessoires non recommandés par le fabricant.
3. N'utilisez jamais l'appareil lorsque les ouvertures d'aération sont obstruées. Veillez à ce que les ouvertures d'air soient exemptes de peluches, de cheveux et d'autres éléments similaires.
4. Ne laissez jamais tomber ou n'insérez jamais d'objet dans une ouverture.
5. Ne pas utiliser l'appareil à l'extérieur.
6. Ne pas utiliser l'appareil dans des endroits où des produits en aérosol sont utilisés ou dans des endroits où de l'oxygène est administré.
7. Ne jamais utiliser cet appareil si le cordon ou la fiche est endommagé, s'il ne fonctionne pas correctement, s'il est tombé ou a été endommagé, ou s'il est tombé dans l'eau. Renvoyez l'appareil à un centre de service pour qu'il soit examiné et réparé.

CONSERVER CES INSTRUCTIONS.

LISTE DE CONTRÔLE POUR LE PRÉ-ASSEMBLAGE

Avant de commencer l'assemblage, assurez-vous que toutes les pièces sont incluses.

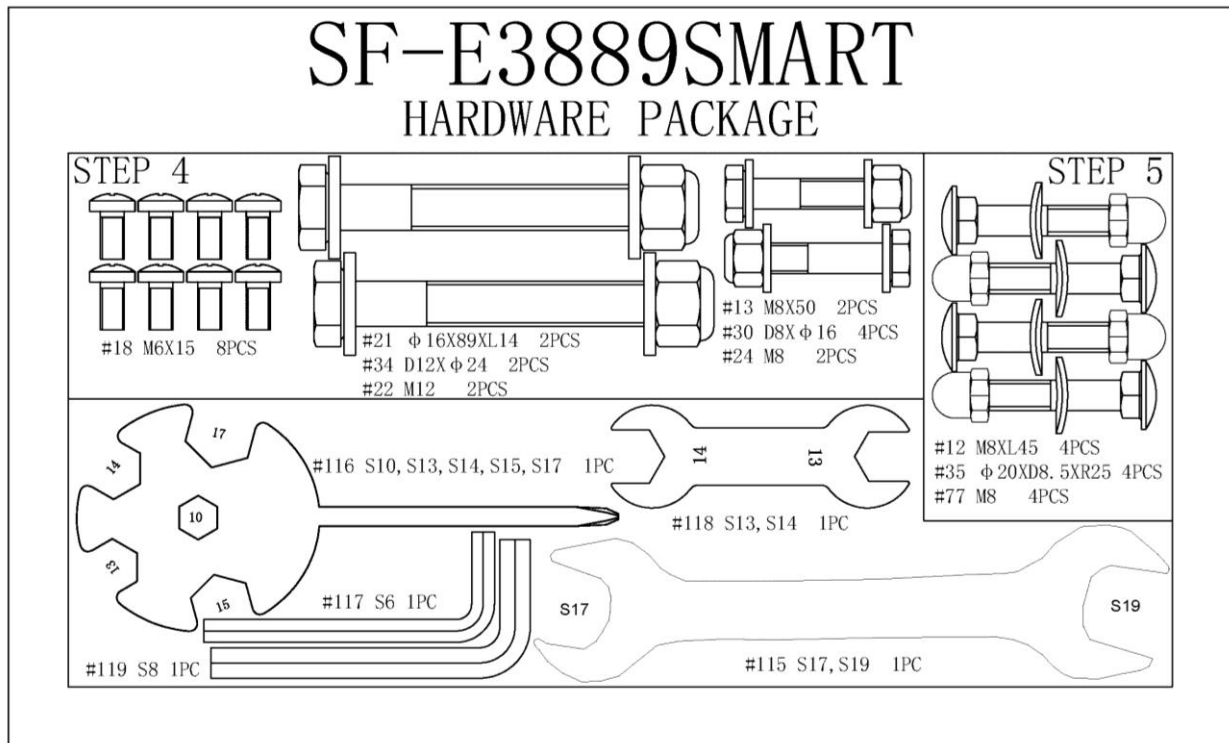


N°	Description	Spec.	Qté.
1	Cadre Principal		1
2	Montant du Guidon		1
3	Cadre du Rail		1
4	Stabilisateur Avant		1
5L	Barre Oscillante Gauche		1
5R	Barre Oscillante Droite		1
6	Guidon Fixe		1
9L	Bras de Pédale Gauche		1
9R	Bras de Pédale Droite		1
11L	Guidon Gauche		1
11R	Guidon Droite		1
41	Porte-Bouteille		1
46	Axe Long	Φ19.5X332	1
50	Couvercle de Mât		1

N°	Description	Spec.	Qté.
51a	Couvercle Pour Barre de Pivotement Gauche A		1
51b	Couvercle Pour Barre de Pivotement Gauche B		1
52	Couvercle du Rouleau		2
54L	Pédale Gauche		1
54R	Pédale Droite		1
55	Capuchon d'Écrou	S13	2
68	Compteur	TZ-4113P	1
71	Adaptateur		1
78a	Couvercle Pour Barre de Pivotement Droite A		1
78b	Couvercle Pour Barre de Pivotement Droite B		1
A	Paquet de Matériel		1
B	Manuel		1
C	Carte de Remerciement		1

PAQUET DE MATÉRIEL

SF-E3889SMART HARDWARE PACKAGE



Commande de pièces de rechange (clients américains et canadiens uniquement)

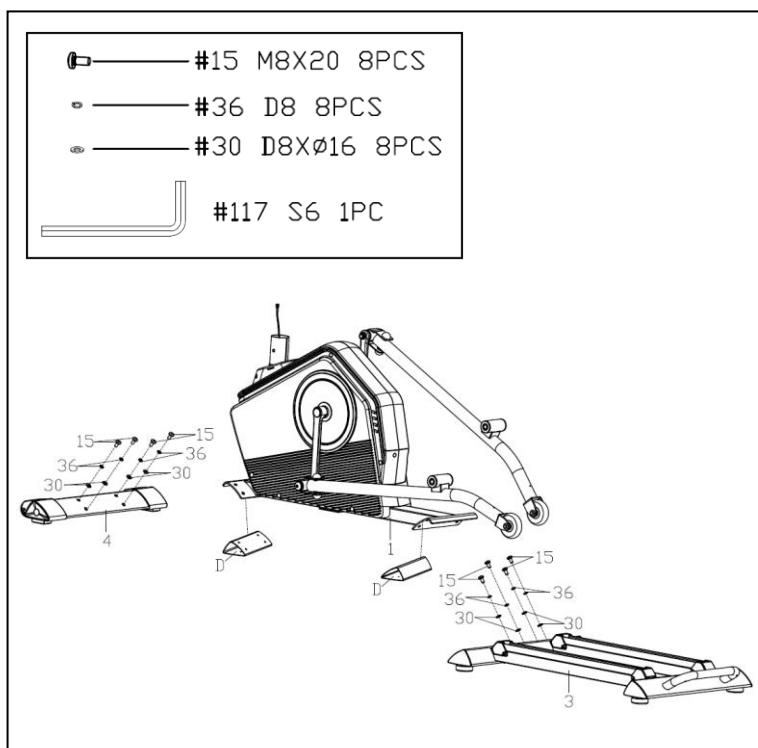
Veillez fournir les informations suivantes afin que nous puissions identifier avec précision la ou les pièces nécessaires:

- ✓ Numéro du modèle (sur la couverture du manuel)
- ✓ Nom du produit (sur la couverture du manuel)
- ✓ Le numéro de pièce figurant sur le "DIAGRAMME EXPLOITÉ" (pages 109~110) et la "LISTE DE PIÈCES" (pages 63~64).

Veillez nous contacter à support@sunnyhealthfitness.com ou au 1-877-90SUNNY (877-907-8669).

INSTRUCTIONS D'ASSEMBLAGE

Nous apprécions votre expérience avec les produits Sunny Health and Fitness. Pour obtenir de l'aide concernant les pièces ou le dépannage, veuillez nous contacter à l'adresse support@sunnyhealthfitness.com ou au 1-877-90SUNNY (877-907-8669).



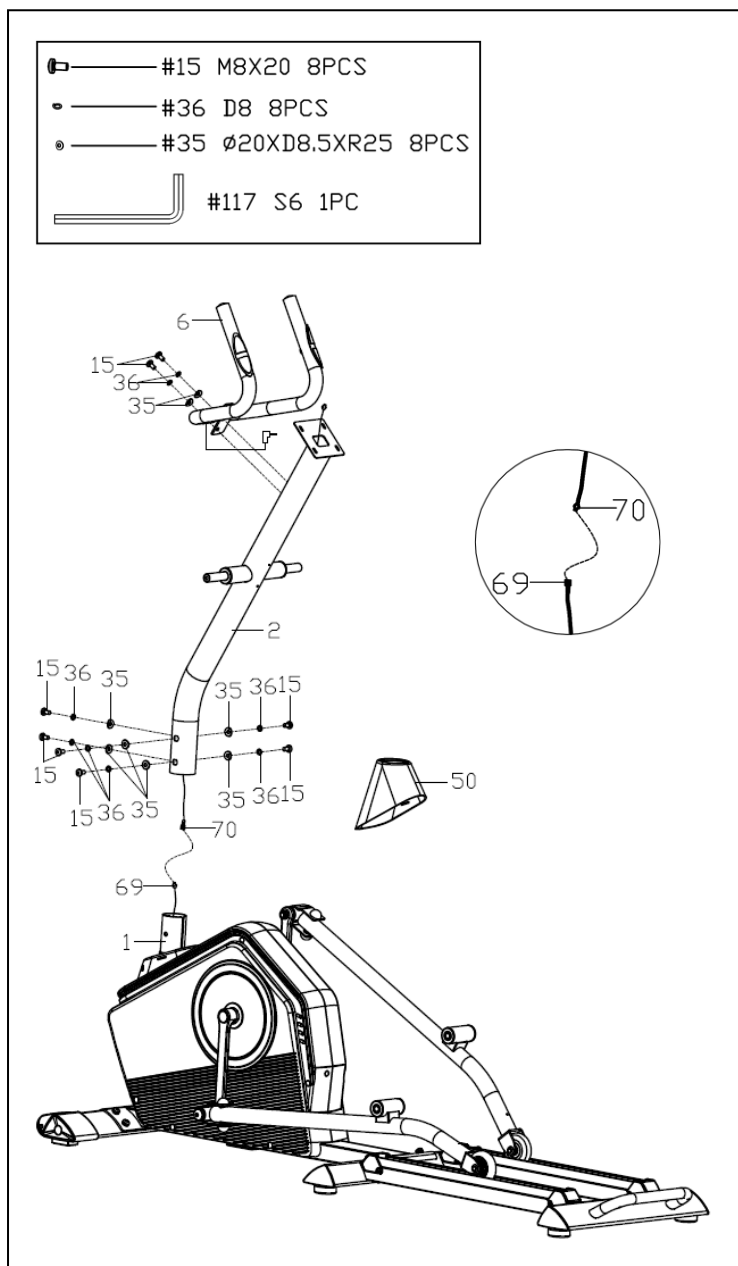
ÉTAPE 1:

Retirez les 2 Tubes d'Expédition (N° D), 8 Boulons Allen (N° 15), 8 Rondelles Plates (N° 30) et 8 Rondelles Élastiques (N° 36) du Cadre Principal (N° 1) à l'aide de la Clé Allen (N° 117).

Fixez le Stabilisateur Avant (N° 4) et le Cadre du Rail (N° 3) sur le Cadre Principal (N° 1) à l'aide des 8 Boulons Allen (N° 15), 8 Rondelles Plates (N° 30) et 8 Rondelles Élastiques (N° 36) qui ont été retirés. Serrer et fixer à l'aide de la Clé Allen (N° 117).

REMARQUE: Vous pouvez jeter les 2 Tubes d'Expédition (N° D) ou les conserver pour réemballer l'article à l'avenir.

Nous apprécions votre expérience avec les produits Sunny Health and Fitness. Pour obtenir de l'aide concernant les pièces ou le dépannage, veuillez nous contacter à l'adresse support@sunnyhealthfitness.com ou au 1-877-90SUNNY (877-907-8669).



ÉTAPE 2:

Retirer les 6 **Boulons Allen (N° 15)**, les 6 **Rondelles Élastiques (N° 36)** et les 6 **Rondelles d'Arc (N° 35)** du **Cadre Principal (N° 1)** à l'aide de la **Clé Allen (N° 117)**.

Faites glisser le **Couvercle du Mât (N° 50)** sur le **Montant du Guidon (N° 2)**.

Connectez le **Fil d'Extension du Capteur 2 (N° 70)** au **Fil d'Extension du Capteur 1 (N° 69)**.

REMARQUE: Pour éviter d'endommager les fils, veuillez les insérer dans le **Montant du Guidon (N° 2)** avant de fixer le **Montant du Guidon (N° 2)** sur le **Cadre Principal (N° 1)**.

Insérez le **Montant du Guidon (N° 2)** sur le montant du **Cadre Principal (N° 1)**, fixez-le avec les 6 **Boulons Allen (N° 15)**, les 6 **Rondelles Élastiques (N° 36)** et les 6 **Rondelles d'Arc (N° 35)** qui ont été enlevés. Serrez et fixez avec la **Clé Allen (N° 117)**.

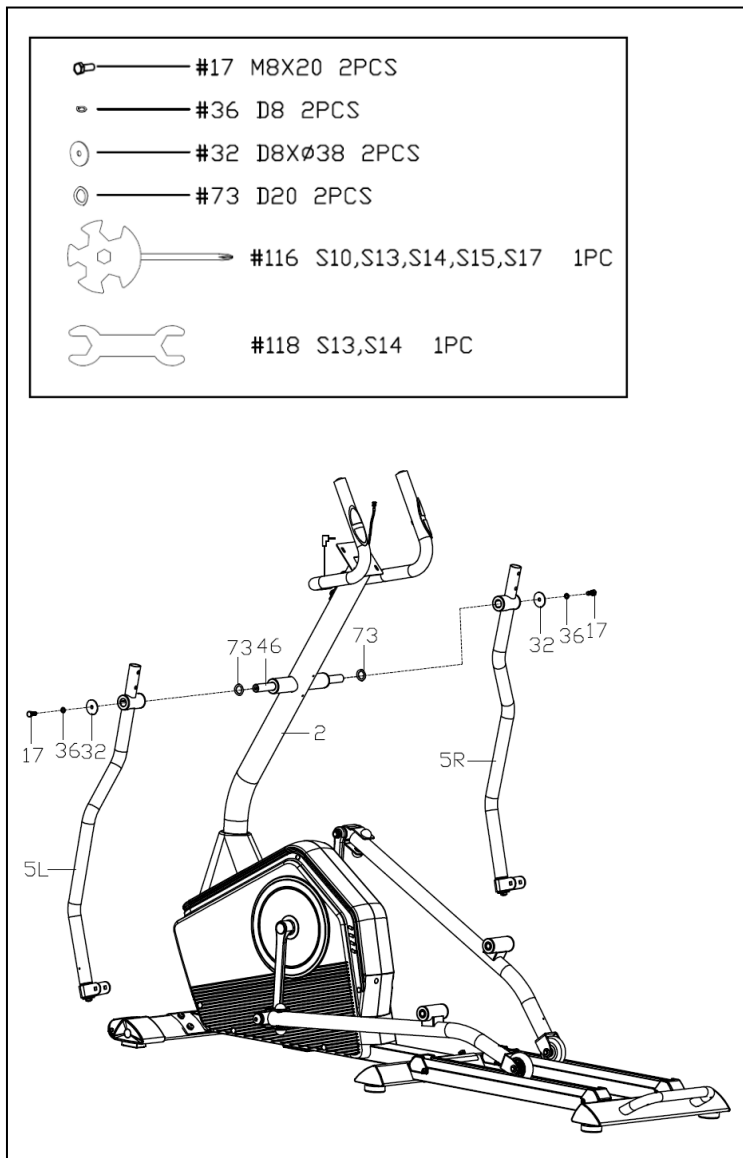
REMARQUE: Veuillez à fixer le **Montant du Guidon (N° 2)** sur le montant du **Cadre Principal (N° 1)** de manière droite.

Faites glisser le **Couvercle du Mât (N° 50)** vers le bas et mettez-le en place.

Retirez les 2 **Boulons Allen (N° 15)**, les 2 **Rondelles Élastiques (N° 36)** et les 2 **Rondelles d'Arc (N° 35)** du **Montant du Guidon (N° 2)** à l'aide de la **Clé Allen (N° 117)**.

Fixez le **Guidon Fixe (N° 6)** au **Montant du Guidon (N° 2)** en place. Fixez-le avec 2 **Boulons Allen (N° 15)**, 2 **Rondelles Élastiques (N° 36)** et 2 **Rondelles d'Arc (N° 35)** qui ont été retirés à l'aide de la **Clé Allen (N° 117)**.

Nous apprécions votre expérience avec les produits Sunny Health and Fitness. Pour obtenir de l'aide concernant les pièces ou le dépannage, veuillez nous contacter à l'adresse support@sunnyhealthfitness.com ou au 1-877-90SUNNY (877-907-8669).



ÉTAPE 3:

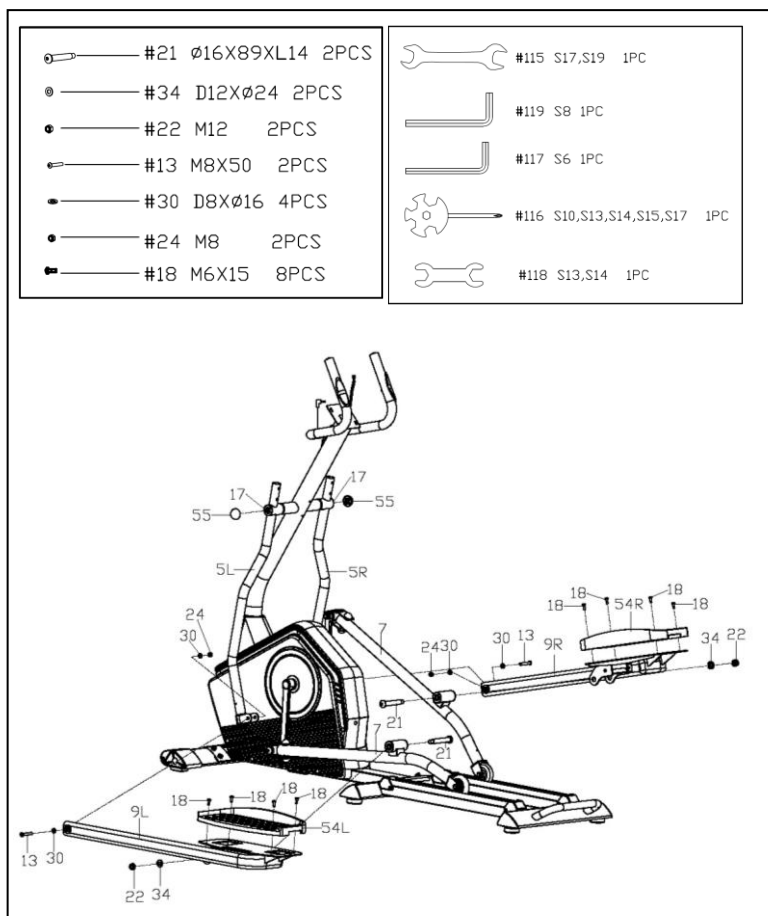
Retirer 2 **Boulons Hexagonal (N° 17)**, 2 **Rondelles Élastiques (N° 36)**, 2 **Rondelles Plates (N° 32)** et 2 **Rondelles Ondulées (N° 73)** de l'**Axe Long (n° 46)** à l'aide de la **Clé à Écrous (N° 116)** et la **Clé à Écrous (N° 118)**.

Insérez l'**Axe Long (N° 46)** dans le **Montant du Guidon (N° 2)**, puis insérez les 2 **Rondelles Ondulées (N° 73)** qui ont été retirées des deux côtés de l'**Axe Long (N° 46)**.

Fixez les **Barres Oscillante Gauche & Droite (N° 5L & N° 5R)** des deux côtés de l'**Axe Long (N° 46)** à l'aide de 2 **Rondelles Plates (N° 32)**, 2 **Rondelles Élastiques (N° 36)** et 2 **Boulons Hexagonal (N° 17)** qui ont été enlevés. Serrer avec la **Clé à Écrous (N° 116)** et la **Clé à Écrous (N° 118)**.

REMARQUE: Ne pas serrer les **Boulons Hexagonal (N° 17)** au cours de cette étape.

Nous apprécions votre expérience avec les produits Sunny Health and Fitness. Pour obtenir de l'aide concernant les pièces ou le dépannage, veuillez nous contacter à l'adresse support@sunnyhealthfitness.com ou au 1-877-90SUNNY (877-907-8669).



ÉTAPE 4:

Fixer les 2 **Bras de Pédale Gauche & Droite (N° 9L & N° 9R)** aux 2 **Bras de Rouleaux (N° 7)** avec 2 **Boulons d'Articulation de la Pédale (N° 21)**, puis poser 2 **Rondelles Plates (N° 34)** et 2 **Écrous en Nylon (N° 22)** à l'extrémité des 2 **Boulons d'Articulation de Pédale (N° 21)** à l'aide d'une **Clé Allen (N° 119)** et d'une **Clé à Écrous (N° 115)**.

REMARQUE: Ne pas serrer les **Boulons d'Articulation de la Pédale (N° 21)** au cours de cette étape.

Fixez **Bras de Pédale Gauche & Droite (N° 9L & N° 9R)** à **Barres Oscillante Gauche & Droite (N° 5L & N° 5R)** respectivement avec 2 **Boulons Allen (N° 13)** et 2 **Rondelles Plates (N° 30)**, puis posez 2 **Rondelles Plates (N° 30)** et 2 **Écrous en Nylon (N° 24)** à l'aide de la **Clé Allen (N° 117)** et de la **Clé à Écrous (N° 118)**.

REMARQUE: Ne pas serrer les **Boulons Allen (N° 13)** au cours de cette étape.

Fixez les **Pédales Gauche & Droite (N° 54L & N° 54R)** aux **Bras de Pédale Gauche & Droite (N° 9L & N° 9R)** à l'aide de 8 **Vis Phillips (N°18)** et **Clé à Écrous (N° 116)**.

REMARQUE: Les deux **Pédales Gauche & Droite (N° 54L & N° 54R)** sont étiquetées: L pour GAUCHE et R pour DROITE.

Vous pouvez maintenant serrer les **Boulon Hexagonal (N° 17)** de l'**ÉTAPE 3** à l'aide de la **Clé à Écrous (N° 116)** et de la **Clé à Écrous (N° 118)**.

Couvrir avec les 2 **Capuchons d'Écrou (N° 55)**. Puis serrer et fixer les 2 **Boulons d'Articulation de la Pédale (N° 21)** et les 2 **Écrous en Nylon (N° 22)** à l'aide de la **Clé Allen (N° 119)** et de la **Clé à Écrous (N° 115)**.

REMARQUE: Assurez-vous que tous les boulons et rondelles sont en place et vous pouvez maintenant serrer les **Boulons Allen (N° 13)** avec la **Clé Allen (N° 117)** et la **Clé à Écrous (N° 118)**.

Nous apprécions votre expérience avec les produits Sunny Health and Fitness. Pour obtenir de l'aide concernant les pièces ou le dépannage, veuillez nous contacter à l'adresse support@sunnyhealthfitness.com ou au 1-877-90SUNNY (877-907-8669).

ÉTAPE 5:

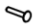




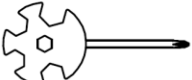
Fixer les **Guidons Gauche & Droite (N° 11L & N° 11R)** aux **Barres Oscillante Gauche & Droite (N° 5L & N° 5R)** respectivement avec 4 **Boulons de Carrosserie (N° 12)**, 4 **Rondelles d'Arc (N° 35)** et 4 **Écrous Borgnes (N° 77)** à l'aide **Clé à Écrous (N° 116)**.

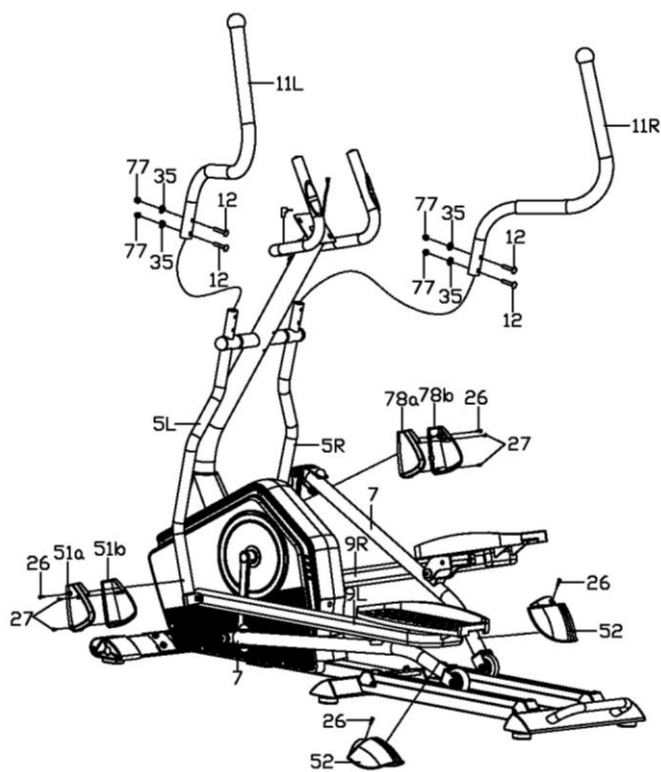
Retirer 4 **Vis à Tôle Phillips (N° 27)** de **Couvercles Pour Barre de Pivotement Gauche A & B (N° 51a & N° 51b)** et **Couvercles Pour Barre de Pivotement Droite A & B (N° 78a & N° 78b)** respectivement à l'aide **Clé à Écrous (N° 116)**.

Retirez les 2 **Vis à Tôle Phillips (N° 26)** des **Barres Oscillante Gauche & Droite (N° 5L & N° 5R)** à l'aide de la **Clé à Écrous (N° 116)**. Fixer ensuite **Couvercles Pour Barre de Pivotement Gauche A & B (N° 51a & N° 51b)** et **Couvercles Pour Barre de Pivotement Droite A & B (N° 78a & N° 78b)** aux **Barres Oscillante Gauche & Droite (N° 5L & N° 5R)** respectivement avec 4 **Vis à Tôle Phillips (N° 27)** et 2 **Vis à Tôle Phillips (N° 26)** qui ont été enlevées. Serrer et fixer avec la **Clé à Écrous (N° 116)**.

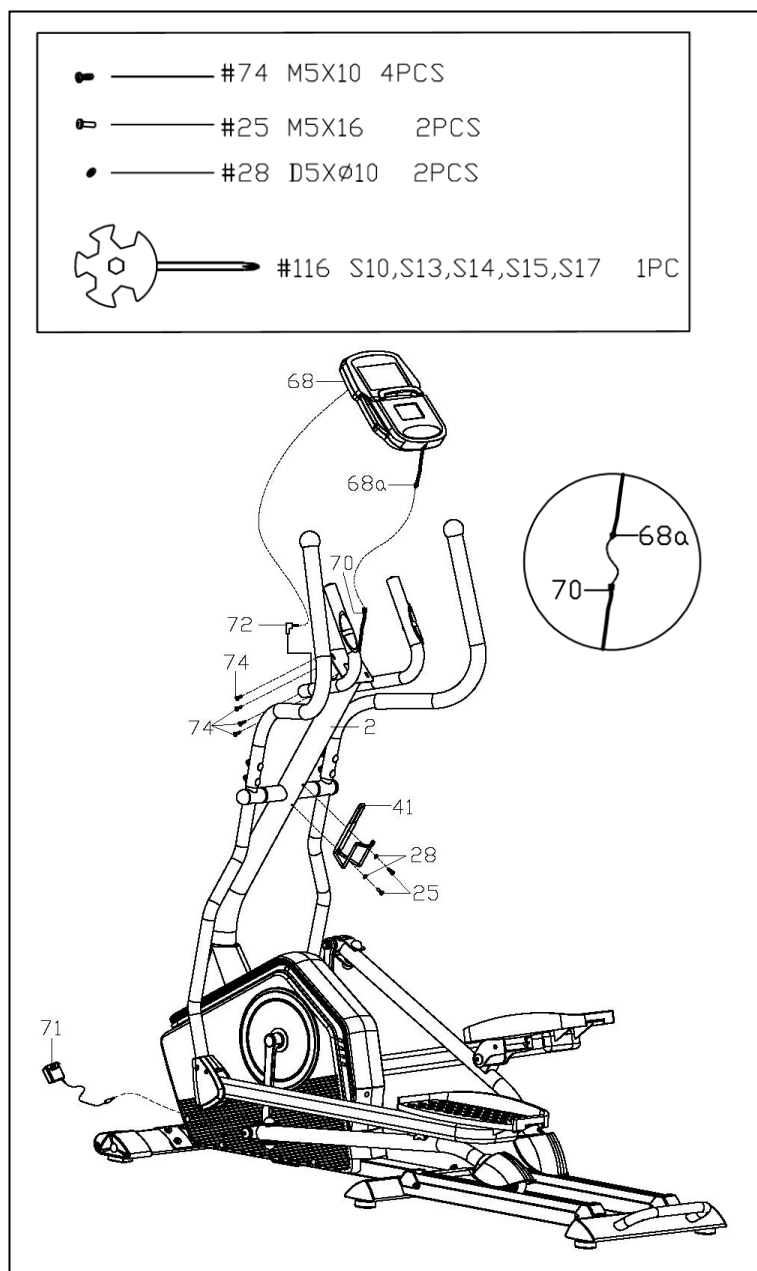
REMARQUE: Le **Couvercles Pour Barre de Pivotement Gauche A & B (N° 51a & N° 51b)** et le **Couvercles Pour Barre de Pivotement Droite A & B (N° 78a & N° 78b)** sont tous deux étiquetés: L pour GAUCHE et R pour DROITE.

Retirer les 2 **Vis à Tôle Phillips (N° 26)** des 2 **Bras de Rouleaux (N° 7)** à l'aide de la **Clé à Écrous (N° 116)**. Fixer ensuite 2 **Couvercles du Rouleau (N° 52)** aux 2 **Bras de Rouleaux (N° 7)** respectivement avec les 2 **Vis à Tôle Phillips (N° 26)** qui ont été enlevées. Serrer et fixer à l'aide de la **Clé à Écrous (N° 116)**.

	#12 M8XL45	4PCS
	#77 M8	4PCS
	#35 Ø20XD8,5XR25	4PCS
	#26 ST4.2X18	4PCS
	#27 ST3,5X12	4PCS
	#116 S10,S13,S14,S15,S17	1PC



Nous apprécions votre expérience avec les produits Sunny Health and Fitness. Pour obtenir de l'aide concernant les pièces ou le dépannage, veuillez nous contacter à l'adresse support@sunnyhealthfitness.com ou au 1-877-90SUNNY (877-907-8669).



ÉTAPE 6:

Retirez les 4 **Vis Phillips (N° 74)** du **Compteur (N° 68)** à l'aide de la **Clé à Écrous (N° 116)**.

Branchez le **Fil d'Impulsion (N° 72)** sur la prise prévue à cet effet à l'arrière du **Compteur (N° 68)**. Connectez ensuite le **Fil d'Extension du Capteur 2 (N° 70)** au **Fil du Compteur A (N° 68a)**.

Fixez le **Compteur (N° 68)** au **Montant du Guidon (N° 2)** à l'aide des 4 **Vis Phillips (N° 74)** qui ont été retirées. Serrer et fixer avec la **Clé à Écrous (N° 116)**.

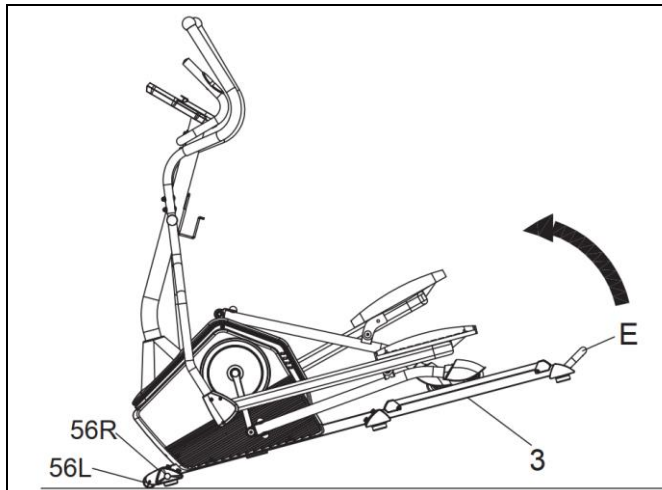
REMARQUE: Pour éviter d'endommager les fils, veuillez les placer dans le **Montant du Guidon (N° 2)** avant de fixer le **Compteur (N° 68)** sur le support.

Retirez les 2 **Vis Phillips (N° 25)** et les 2 **Rondelles Plates (N° 28)** du **Montant du Guidon (N° 2)** à l'aide de la **Clé à Écrous (N° 116)**. Fixez ensuite le **Porte-Bouteille (N° 41)** au **Montant du Guidon (N° 2)** à l'aide des 2 **Vis Phillips (N° 25)** et des 2 **Rondelles Plates (N° 28)** qui ont été retirées. Serrer et fixer avec la **Clé à Écrous (N° 116)**.

Insérer la prise de l'**Adaptateur (N° 71)** dans l'entrée de l'adaptateur à l'avant du **Cadre Principal (N° 1)**, puis brancher l'**Adaptateur (N° 71)** dans une prise de courant.

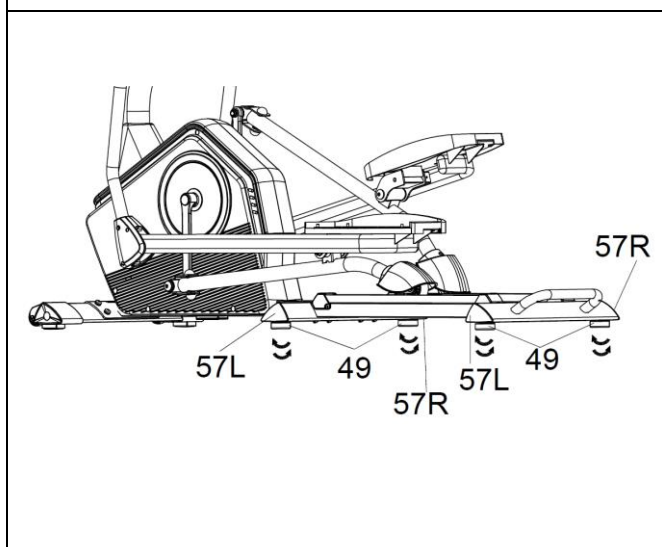
L'assemblage est terminé!

GUIDE D'AJUSTEMENT



COMMENT DÉPLACER L'APPAREIL ELLIPTIQUE

Des roues de transport sont situées sur les **Capuchons de l'Extrémité Avant Gauche & Droite (N° 56L & N° 56R)**. Tenez le **Guidon (N° E)** du **Cadre du Rail (N° 3)** et tirez vers l'avant pour soulever l'arrière de l'exerciseur elliptique du sol. Vous pouvez maintenant déplacer l'appareil.



RÉGLAGE DE L'ÉQUILIBRE

Afin d'obtenir une conduite souple et confortable, vous devez vous assurer que l'appareil elliptique est stable et sécurisé. Si vous remarquez que le vélo elliptique est déséquilibré pendant l'utilisation, vous devez ajuster les **Coussins Réglable (N° 49)** situés sous les **Capuchons de l'Extrémité Arrière Gauche & Droite (N° 57L & N° 57R)**. Pour ce faire, il suffit de tourner les **Coussins Réglable (N° 49)** jusqu'à ce que l'exerciseur elliptique soit à niveau avec la surface du sol.

NETTOYAGE

L'exerciseur elliptique peut être nettoyé avec un chiffon doux, propre et humide. Ne pas utiliser de produits abrasifs ou de solvants sur les pièces en plastique. Essuyez votre transpiration sur l'appareil après chaque utilisation. Veillez à ce qu'il n'y ait pas trop d'humidité sur le panneau d'affichage du compteur, car cela pourrait entraîner un risque électrique ou une défaillance des composants électroniques.

Gardez l'appareil elliptique, en particulier le compteur, à l'abri de la lumière directe du soleil pour éviter d'endommager l'écran.

Vérifiez chaque semaine que tous les boulons d'assemblage et les pédales de l'exerciseur elliptique sont bien serrés.

STOCKAGE

Ranger l'exerciseur elliptique dans un endroit propre et sec, hors de portée des enfants.

INFORMATIONS IMPORTANTES SUR L'ELLIPTIQUE

AVERTISSEMENT:

Cet appareil elliptique nécessite une source d'alimentation de **1 ampère (100-240 V)** pour fonctionner correctement. Pour votre sécurité et celle des autres, vérifiez que la source d'alimentation est correcte avant de brancher l'appareil. Toute source d'alimentation supérieure ou inférieure à ce niveau peut causer des dommages importants à l'appareil ou à l'utilisateur.

INSTRUCTIONS D'UTILISATION

Branchez l'adaptateur sur l'appareil elliptique et sur la prise de courant. Le compteur s'allume.

Il s'éteint s'il n'y a pas d'activité pendant 4 minutes lorsque le Bluetooth n'est pas connecté. Appuyez sur n'importe quelle touche de l'appareil pour le rallumer.

REMARQUE: vous pouvez toujours utiliser l'appareil elliptique lorsqu'il n'est pas branché. Cependant, le compteur ne fonctionnera pas et vous ne pourrez pas régler le niveau de résistance ni utiliser aucune des fonctions.



COMPTEUR D'EXERCICE

FONCTIONS PRINCIPALES:

BOUTON	FONCTION
START/STOP	Démarrer et interrompre les séances d'entraînement. Démarrer la mesure de la graisse corporelle.
DOWN (BAS)	Diminuer le niveau de résistance pendant l'entraînement. Diminuer la valeur du paramètre sélectionné.
UP (HAUT)	Augmenter le niveau de résistance pendant la séance d'entraînement. Augmenter la valeur du paramètre sélectionné.
ENTER	Saisir la valeur ou le mode.
RECOVERY (RÉCUPÉRATION)	Entrer dans la fonction de récupération lorsque le compteur affiche la valeur de la fréquence cardiaque. Affichage de la récupération F1-F6. F1 correspond à une excellente fréquence cardiaque de récupération. F6 est une fréquence cardiaque de récupération médiocre.
MODE	Pendant la séance d'entraînement, changer l'affichage de RPM à SPEED (VITESSE), ODO (ODOMÈTRE) à DIST (DISTANCE) et WATT à CAL (CALORIES). Maintenez la touche enfoncée pendant 3 secondes pour remettre toutes les valeurs des fonctions à zéro, sauf ODO (ODOMÈTRE).

SÉLECTION DE LA SÉANCE D'ENTRAÎNEMENT:

Après avoir allumé le lecteur en branchant l'adaptateur ou, s'il est déjà branché, en appuyant sur n'importe quel bouton du lecteur, utilisez les boutons UP (HAUT) ou DOWN (BAS) pour effectuer une sélection. Appuyez ensuite sur la touche ENTER pour choisir le mode souhaité.

Il existe 7 modes d'entraînement de base :

Programme Manuel, Programmes Préréglés, Programme de Contrôle des Watts, Programme sur la Graisse Corporelle, Programme de Fréquence Cardiaque Cible, Programmes de Contrôle de la Fréquence Cardiaque et Programmes Utilisateur.

FONCTIONS:

SPEED (VITESSE): Affiche la vitesse actuelle de l'entraînement. La vitesse maximale est de 99,9 MPH.

RPM: Affiche la rotation actuelle par minute.

TIME (TEMPS): Accumule le temps d'entraînement de 0:00 à 99:59. Les utilisateurs peuvent prédéfinir la durée cible qu'ils souhaitent.

DIST (DISTANCE): Accumule la distance de la séance d'entraînement de 0,00 à 999,9 miles. Les utilisateurs peuvent prédéfinir la distance cible qu'ils souhaitent atteindre.

ODO (ODOMÈTRE): Affiche la distance totale accumulée de 0 à 9999 miles.

CAL (CALORIES): Accumule les calories brûlées de 0 à 9999. Les utilisateurs peuvent prédéfinir le nombre de calories qu'ils souhaitent brûler.

WATT: Affiche le nombre actuel de watts.

HEART RATE (RYTHME CARDIAQUE): Affiche la fréquence cardiaque actuelle en battements par minute.

TARGET HR. (FRÉQUENCE CARDIAQUE CIBLE): Les utilisateurs peuvent prédéfinir leur fréquence cardiaque cible.

PROGRAM (PROGRAMME): Il existe 24 programmes différents à choisir pour l'entraînement.

LEVEL (NIVEAU): Le programme comporte 10 colonnes de barres et 8 barres dans chaque colonne. Chaque colonne représente une séance d'entraînement d'une minute et chaque barre représente 2 niveaux de résistance.

PARAMÈTRES D'ENTRAÎNEMENT:

TIME (TEMPS) / DIST (DISTANCE) / CAL (CALORIES) / AGE (ÂGE) / WATT / TARGET HR. (FRÉQUENCE CARDIAQUE CIBLE)

RÉGLAGE DES PARAMÈTRES DE LA SÉANCE D'ENTRAÎNEMENT

Après avoir sélectionné le mode d'entraînement souhaité : Programme Manuel, Programmes Préréglés, Programme de Contrôle des Watts, Programme sur la Graisse Corporelle, Programme de Fréquence Cardiaque Cible, Programmes de Contrôle de la Fréquence Cardiaque et Programmes Utilisateur. Vous pouvez préréglager plusieurs paramètres d'entraînement pour obtenir les résultats souhaités.

REMARQUE: CERTAINS PARAMÈTRES NE SONT PAS RÉGLABLES DANS CERTAINS PROGRAMMES. LA DURÉE ET LA DIST (DISTANCE) NE PEUVENT PAS ÊTRE RÉGLÉES EN MÊME TEMPS.

Une fois qu'un programme a été sélectionné, appuyez sur la touche ENTER et TIME clignotera. En utilisant les boutons UP (HAUT) ou DOWN (BAS), vous pouvez sélectionner la valeur de temps désirée. Appuyez sur la touche ENTER pour saisir les valeurs. L'invite clignotante passe au paramètre suivant. Continuez à utiliser les boutons UP (HAUT) ou DOWN (BAS). Appuyez sur le bouton START/STOP pour commencer la séance d'entraînement.

PLUS D'INFORMATIONS SUR LE RÉGLAGE DES PARAMÈTRES DE L'ENTRAÎNEMENT

Champ	Plage de Réglage	Valeur par Défaut	Incrément/ Décrément	Description
TIME (TEMPS)	0:00~99:00	0:00	±1:00	1..lorsque l'affichage est réglé sur 0:00, la durée compte à rebours. 2..lorsque l'heure est réglée sur 1:00-99:00, le compte à rebours s'effectue jusqu'à 0.00.
DIST (DISTANCE)	0.00~999.0	0.00	±1.00	1..lorsque l'affichage est réglé sur 0.00, la DIST (DISTANCE) compte à rebours. 2..lorsque la DIST (DISTANCE) est réglée sur 1,00~999,0, le compte à rebours s'effectue jusqu'à 0,00.
CAL (CALORIES)	0.00~9995	0.00	±5.00	1..Lorsque l'affichage est réglé sur 0.00, les CAL (CALORIES) sont décomptées. 2. Lorsque les CAL (CALORIES) sont réglées sur 5,00~9995, le compte à rebours s'effectue jusqu'à 0,00.
WATT	50~250	100	±5	L'utilisateur ne peut régler la valeur en watts que dans le programme de contrôle des watts.

AGE (ÂGE)	10~99	30	±1	La FC cible est basée sur l'âge. Lorsque la fréquence cardiaque dépasse l'objectif, le numéro de la fréquence cardiaque clignote.
TARGET HR. (FRÉQUENCE CARDIAQUE CIBLE)	60~220	60	±1	Paramètres de réglage de la fréquence cardiaque cible.

FONCTIONNEMENT DU PROGRAMME:

PROGRAMME MANUEL (P1)

Profil du Programme



PARAMÈTRES DE RÉGLAGE DU PROGRAMME MANUEL:

1. Sélectionnez **Programme Manuel (P1)** à l'aide des touches UP (HAUT) ou DOWN (BAS), puis appuyez sur la touche ENTER.
2. TIME clignote et la valeur peut être ajustée à l'aide des boutons UP (HAUT) ou DOWN (BAS).
3. Appuyez sur la touche ENTER pour enregistrer la valeur et passer au paramètre suivant à régler.

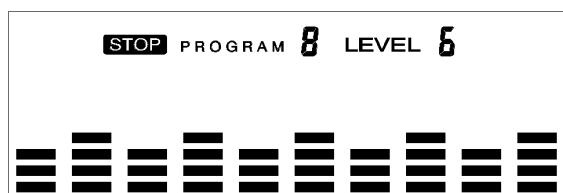
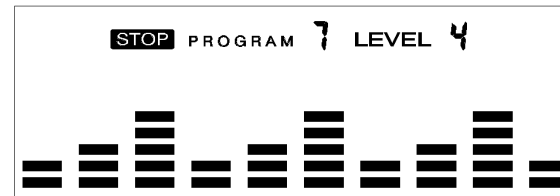
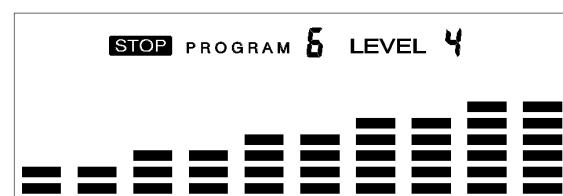
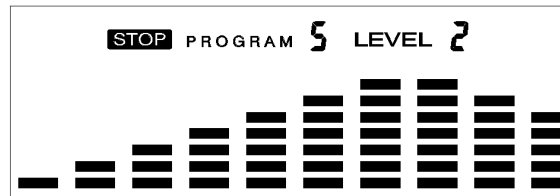
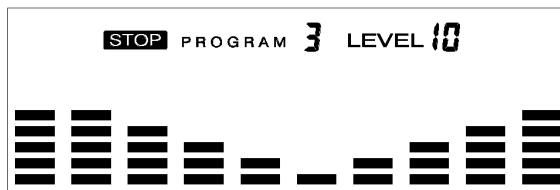
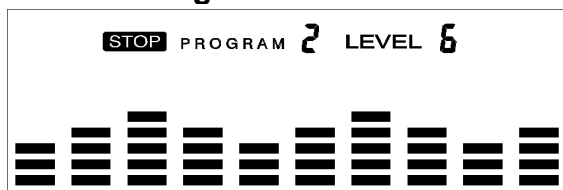
REMARQUE: Si vous définissez la durée cible de l'entraînement, le paramètre suivant de DIST (DISTANCE) ne peut pas être ajusté.

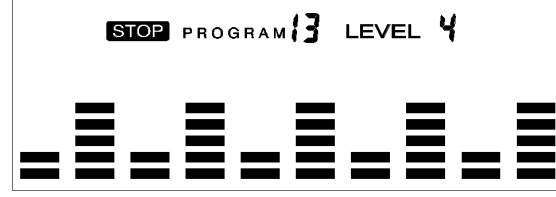
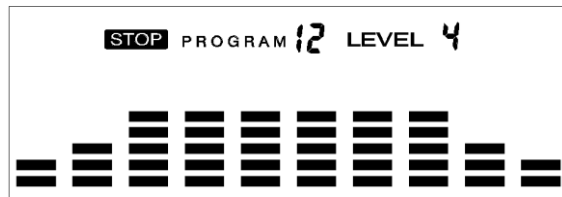
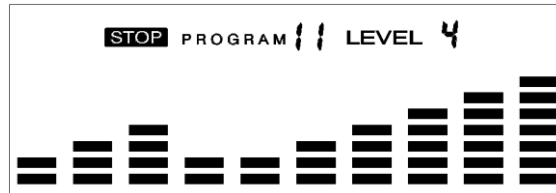
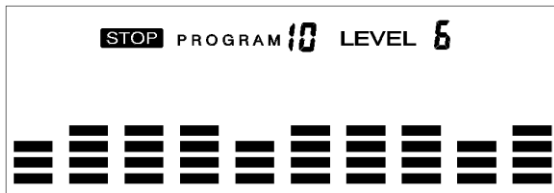
4. Continuez à régler tous les paramètres souhaités et appuyez sur le bouton START/STOP pour commencer la séance d'entraînement.

REMARQUE: Une fois que le paramètre de la séance d'entraînement compte à rebours jusqu'à zéro, il émet un signal sonore et arrête automatiquement la séance d'entraînement. Appuyez sur la touche START/STOP pour continuer la séance d'entraînement et atteindre le paramètre inachevé.

PROGRAMMES PRÉRÉGLÉS (P2~P13)

Profil du Programme





Il existe 12 programmes préréglés prêts à l'emploi. Tous les profils de programme ont 16 niveaux de résistance.

PARAMÈTRES DE RÉGLAGE DES PROGRAMMES PRÉÉTABLIS

1. Sélectionnez l'un des **Programmes Préréglés** à l'aide des touches UP (HAUT) ou DOWN (BAS), puis appuyez sur la touche ENTER. TIME clignotera pour que la valeur puisse être ajustée à l'aide des touches UP (HAUT) ou DOWN (BAS).
2. Appuyez sur la touche ENTER pour enregistrer la valeur et passer au paramètre suivant à régler. Continuez à régler tous les paramètres souhaités et appuyez sur la touche START/STOP pour commencer la séance d'entraînement.

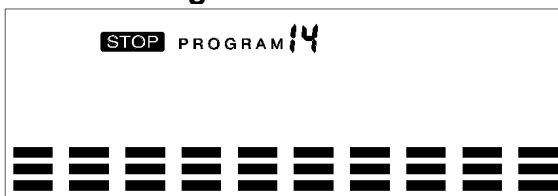
ENTRAÎNEMENT DANS N'IMPORTE QUEL PROGRAMME PRÉÉTABLI

Vous pouvez ajuster le niveau de résistance en appuyant sur le bouton UP (HAUT) ou DOWN (BAS) pendant la séance d'entraînement.

REMARQUE: Si vous avez défini la durée cible de la séance d'entraînement, le paramètre suivant, la DIST (DISTANCE), ne peut pas être réglé. Une fois que le paramètre de la séance d'entraînement compte à rebours jusqu'à zéro, un signal sonore est émis et la séance d'entraînement s'arrête automatiquement. Appuyez sur la touche START/STOP pour poursuivre le paramètre inachevé.

PROGRAMME DE CONTRÔLE DES WATTS (P14)

Profil du Programme



RÉGLAGE DES PARAMÈTRES DU PROGRAMME DE CONTRÔLE DES WATTS

1. Sélectionner le **Programme de Contrôle des Watts (P14)** à l'aide des touches UP (HAUT) ou DOWN (BAS), puis appuyer sur la touche ENTER.
2. TIME clignote et la valeur peut être ajustée à l'aide des boutons UP (HAUT) ou DOWN (BAS).
3. Appuyez sur la touche ENTER pour enregistrer la valeur et passer au paramètre suivant à régler.

REMARQUE: Si vous définissez la durée cible de l'entraînement, le paramètre suivant de la DIST (DISTANCE) ne peut pas être réglé.

4. Continuez à régler tous les paramètres souhaités et appuyez sur la touche START/STOP pour démarrer la séance d'entraînement.

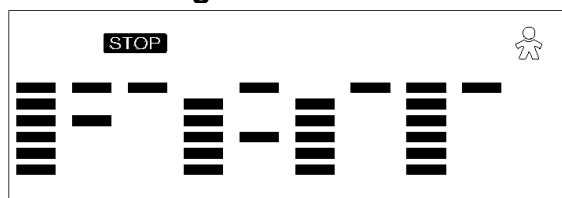
REMARQUE: Une fois que les paramètres de la séance d'entraînement sont tombés à zéro, l'appareil émet un signal sonore et arrête automatiquement la séance d'entraînement.

5. Appuyer sur le bouton START/STOP pour continuer la séance d'entraînement et atteindre le paramètre inachevé.

L'appareil ajustera automatiquement la charge de résistance en fonction de la vitesse afin de maintenir une valeur en watts constante. Vous pouvez utiliser les boutons UP (HAUT) ou DOWN (BAS) pour ajuster la valeur en watts pendant la séance d'entraînement.

PROGRAMME SUR LA GRAISSE CORPORELLE (P15)

Profil du Programme



RÉGLAGE DES DONNÉES POUR LA GRAISSE CORPORELLE

Sélectionner le **Programme sur la Graisse Corporelle (P15)** à l'aide des touches UP (HAUT) ou DOWN (BAS), puis appuyer sur la touche ENTER. La mention "MALE" clignote et le sexe peut être ajusté à l'aide des touches UP (HAUT) ou DOWN (BAS). Appuyez sur la touche ENTER pour enregistrer le sexe et passer à la donnée suivante.

"5'8 (pouces)" de la taille clignotera pour que la taille puisse être ajustée à l'aide des boutons UP (HAUT) ou DOWN (BAS). Appuyez sur la touche ENTER pour enregistrer la valeur et passer à la donnée suivante.

"154 (lbs)" pour le poids clignotera pour que le poids puisse être ajusté en utilisant les boutons UP (HAUT) ou DOWN (BAS). Appuyez sur la touche ENTER pour enregistrer la valeur et passer à la donnée suivante.

"30" de l'âge clignotera pour que l'âge puisse être ajusté en utilisant les boutons UP (HAUT) ou DOWN (BAS). Appuyez sur la touche ENTER pour enregistrer la valeur.

Appuyez sur le bouton START/STOP pour commencer la mesure. N'oubliez pas de saisir les capteurs de pouls de la main. Après 15 secondes, l'écran affiche le pourcentage de graisse corporelle, le BMR, l'IMC et le TYPE DE CORPS.

TYPES DE CORPS :

Il existe 9 types de corps divisés en fonction du pourcentage DE GRAISSE calculé.

Type de Corps	% DE GRAISSE	Type de Corps	% DE GRAISSE	Type de Corps	% DE GRAISSE
Type 1	5% - 9%	Type 4	20% - 24%	Type 7	35% - 39%
Type 2	10% - 14%	Type 5	25% - 29%	Type 8	40% - 44%
Type 3	15% - 19%	Type 6	30% - 34%	Type 9	45% - 50%

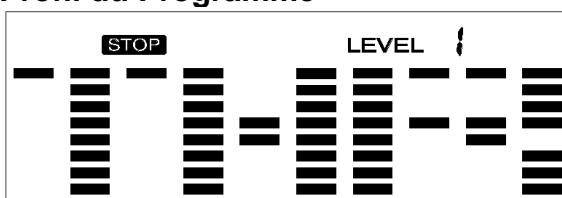
BMR: Rapport métabolique basal

IMC: Indice de masse corporelle

Appuyez sur la touche START/STOP pour revenir à l'affichage principal.

PROGRAMME DE FRÉQUENCE CARDIAQUE CIBLE (P16)

Profil du Programme



RÉGLAGE DES PARAMÈTRES DU PROGRAMME DE FRÉQUENCE CARDIAQUE CIBLE

1. Sélectionnez **Programme de Fréquence Cardiaque Cible (P16)** à l'aide des touches UP (HAUT) ou DOWN (BAS), puis appuyez sur la touche ENTER.
2. TIME clignotera. La valeur peut être ajustée à l'aide des boutons UP (HAUT) ou DOWN (BAS).
3. Appuyez sur la touche ENTER pour enregistrer la valeur et passer au paramètre suivant à régler.

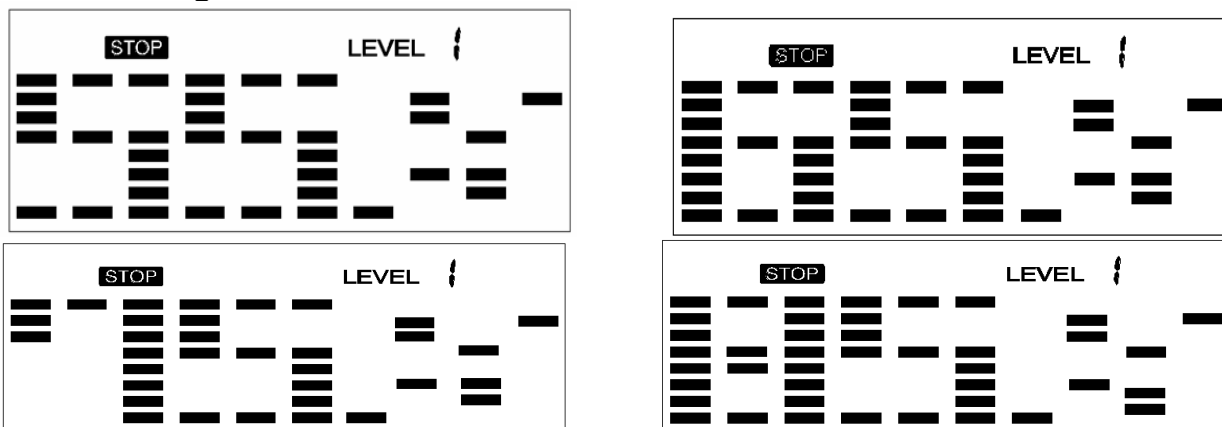
REMARQUE: Si vous définissez la durée cible de l'entraînement, le paramètre suivant de DIST (DISTANCE) ne peut pas être réglé.

4. Continuer à régler tous les paramètres souhaités et appuyer sur la touche START/STOP pour commencer la séance d'entraînement.

REMARQUE: si la fréquence cardiaque est supérieure à la FC cible définie, la valeur du pouls clignote pour le rappeler à l'utilisateur.

PROGRAMME DE CONTRÔLE DE LA FRÉQUENCE CARDIAQUE (P17-P20)

Profil du Programme



Il y a 4 sélections pour le pouls cible (HR):

HRC - 55% HR CIBLE= 55% of (220-AGE)

HRC - 65% HR CIBLE= 65% of (220-AGE)

HRC - 75% HR CIBLE= 75% of (220-AGE)

HRC - 85% HR CIBLE= 85% of (220-AGE)

RÉGLAGE DES PARAMÈTRES POUR LE CONTRÔLE DE LA FRÉQUENCE CARDIAQUE

1. Sélectionnez l'un des **Programmes de Contrôle de la Fréquence Cardiaque** à l'aide des boutons UP (HAUT) ou DOWN (BAS), puis appuyez sur le bouton ENTER.
2. TIME clignote. La valeur peut être ajustée à l'aide des boutons UP (HAUT) ou DOWN (BAS).
3. Appuyez sur la touche ENTER pour enregistrer la valeur et passer au paramètre suivant à régler.

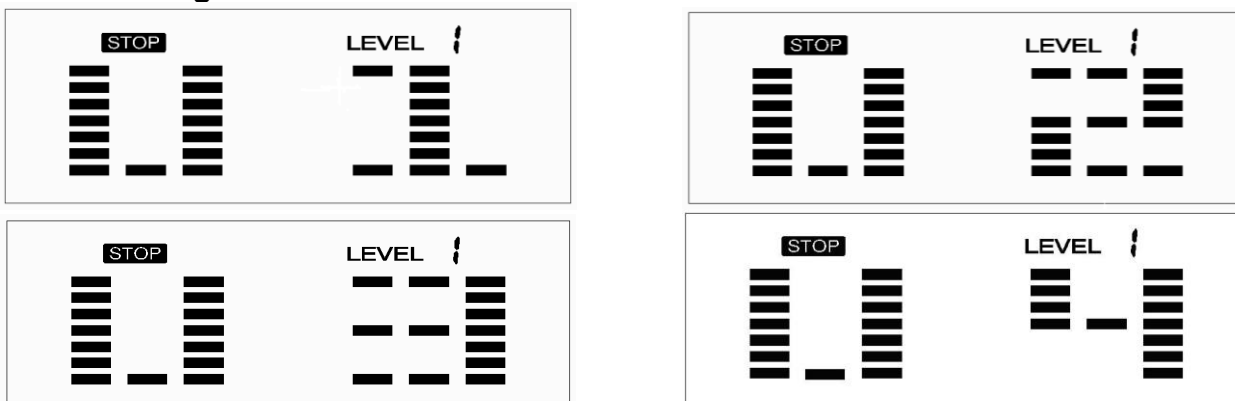
REMARQUE: Si vous définissez la durée cible de l'entraînement, le paramètre suivant de la **DIST (DISTANCE)** ne peut pas être réglé.

4. Continuer à régler tous les paramètres souhaités et appuyer sur la touche START/STOP pour démarrer la séance d'entraînement.

REMARQUE: Si la fréquence cardiaque est supérieure ou inférieure (± 5) à la fréquence cardiaque cible, l'appareil ajustera automatiquement la charge de résistance. Il vérifiera toutes les 20 secondes qu'environ 1 charge de résistance augmente ou diminue (REMARQUE : chaque charge de résistance représente 2 niveaux de charge). Si l'un des paramètres de la séance d'entraînement descend à zéro, l'appareil émet un signal sonore et arrête automatiquement la séance d'entraînement. Appuyez sur le bouton START/STOP pour continuer l'entraînement jusqu'au paramètre d'entraînement inachevé.

PROGRAMME UTILISATEUR (P21-P24)

Profil du Programme



Les 4 programmes utilisateur permettent à l'utilisateur de définir son propre programme et de l'utiliser immédiatement.

RÉGLAGE DES PARAMÈTRES DU PROGRAMME UTILISATEUR

1. Sélectionnez le **Programme Utilisateur** à l'aide des boutons UP (HAUT) ou DOWN (BAS), puis appuyez sur le bouton ENTER.
2. TIME clignotera pour que la valeur puisse être ajustée à l'aide des boutons UP (HAUT) ou DOWN (BAS).
3. Appuyez sur la touche ENTER pour enregistrer les valeurs et passer au paramètre suivant à régler.

REMARQUE: Si vous définissez la durée cible de l'entraînement, le paramètre suivant de DIST (DISTANCE) ne peut pas être ajusté.

4. Poursuivre avec tous les paramètres souhaités.
5. Après avoir terminé la configuration des paramètres souhaités, le niveau 1 clignote. Utilisez les boutons UP (HAUT) ou DOWN (BAS) pour ajuster, puis appuyez sur le bouton ENTER jusqu'à ce que vous ayez terminé. (Il y a 10 fois au total). Appuyez sur le bouton START/STOP pour commencer la séance d'entraînement.

REMARQUE: Une fois que le paramètre de la séance d'entraînement compte à rebours jusqu'à zéro, un bip est émis et la séance d'entraînement s'arrête automatiquement.

Appuyez sur la touche START/STOP pour continuer la séance d'entraînement et atteindre le paramètre d'entraînement non terminé.

DONNÉES TECHNIQUES

Connectivité: Bluetooth LE

Gamme de fréquences: 2400~2483.5 Mhz

Puissance d'émission: 0 dBm

CONNEXION À L'APPLICATION:

Connecte el equipo inteligente a la SunnyFit App:

1. Scannez pour télécharger SunnyFit à partir de l'app store:



2. Assurez-vous que la fonction Bluetooth est activée sur votre appareil mobile.
3. Si vous utilisez l'application SunnyFit pour la première fois, suivez les instructions in-app pour vous inscrire à votre compte SunnyFit gratuit et vous connecter.
4. Commencez toute activité d'entraînement correspondant à votre équipement intelligent, puis suivez les invites à l'écran pour rechercher votre équipement intelligent et vous y connecter.
5. Une fois connecté, vos statistiques et vos records seront affichés à la fin de votre cours/session et enregistrés dans le profil de votre compte.

Dépannage:

- Si vous ne parvenez pas à connecter votre équipement intelligent, visitez le site www.sunnyfit.com/guide ou scannez le code QR ci-dessous:



- Si vous avez besoin d'une assistance supplémentaire, veuillez contacter support@sunnyfit.com.

DÉPANNAGE

PROBLÈME	CAUSE POSSIBLE	VERIFIER	SOLUTION
E1-1	Le moteur n'a pas pu trouver son point de départ.	Vérifiez si tous les câbles sont bien branchés ou si les broches des câbles sont mal insérées. Ou vérifiez si le moteur est bien branché.	Rebranchez les câbles et mettez l'appareil sous tension, puis appuyez simultanément sur les touches MODE et ENTER pour entrer dans le mode de correction des erreurs.
E1-2	Le signal du moteur n'a pas d'induction.	Vérifier si tous les câbles sont bien branchés ou si les broches des câbles sont mal insérées. Ou vérifier si le moteur est bloqué.	Rebranchez les câbles ou changez de moteur.
E1-3	Le moteur a dépassé le niveau de résistance maximum.	Vérifier si tous les câbles sont bien branchés ou si les broches des câbles sont mal insérées.	Rebranchez les câbles et mettez sous tension, 1 seconde plus tard débranchez les câbles puis rebranchez les câbles et mettez sous tension, attendez environ 6 secondes pour que le moteur revienne à son point de départ, puis appuyez simultanément sur les touches MODE et ENTER pour entrer dans le mode de correction des erreurs.
E2	Aucune donnée EEPROM n'a été lue.		Rebranchez le compteur.
	Erreur de lecture des données EEPROM.		Remettez le compteur sous tension pour relire les données.
E4	Les mains ne sont pas posées sur les deux impulsions de la poignée immédiatement après avoir appuyé sur le bouton START/STOP.		Placez les mains sur les deux impulsions de la poignée immédiatement après avoir appuyé sur le bouton START/STOP.
	La fonction graisse corporelle ne peut pas recevoir le signal du pouls.	Vérifiez que les fils d'impulsion de la poignée sont bien connectés. Vérifiez que le pouls fonctionne lorsque le programme de graisse corporelle n'est pas activé.	Rebrancher les fils d'impulsion de la poignée ou changer les fils d'impulsion de la poignée. Remplacer le compteur.

REMARQUE: Si vous ne parvenez pas à résoudre un problème à l'aide du guide de dépannage ci-dessus, veuillez contacter le service clientèle à l'adresse support@sunnyhealthfitness.com.

LISTE DE PIÈCES

N°	Description	Spec.	Qté.
1	Cadre Principal		1
2	Montant du Guidon		1
3	Cadre du Rail		1
4	Stabilisateur Avant		1
5L	Barre Oscillante Gauche		1
5R	Barre Oscillante Droite		1
6	Guidon Fixe		1
7	Bras à Rouleaux		2
8	Articulation du Bras à Rouleaux		2
9L	Bras de Pédale Gauche		1
9R	Bras de Pédale Droite		1
10	Articulation de la Barre Oscillante		2
11L	Guidon Gauche		1
11R	Guidon Droite		1
12	Boulon de Carrosserie	M8XL45	4
13	Boulon Allen	M8X50	2
14	Boulon Allen	M8X20 fil complet	2
15	Boulon Allen	M8X20	16
16	Boulon à Tête Plate Allen	M8X15	4
17	Boulon Hexagonal	M8X20	2
18	Vis Phillips	M6X15	8
19	Boulon Hexagonal	M10X65	2
20	Boulon Hexagonal	M6X15	11
21	Boulon d'Articulation de la Pédale	Φ16X89XL14	2
22	Écrou en Nylon	M12	2
23	Écrou en Nylon	M10	2
24	Écrou en Nylon	M8	3
25	Vis Phillips	M5X16	2
26	Vis à Tôle Phillips	ST4.2X18	32
27	Vis à Tôle Phillips	ST3.5X12	4
28	Rondelle Plate	D5XΦ10	2
29	Rondelle Plate	D6XΦ19	6
30	Rondelle Plate	D8XΦ16	13
31	Rondelle Plate	D8XΦ30	2
32	Rondelle Plate	D8XΦ38	2
33	Rondelle Plate	D10XΦ20	2

N°	Description	Spec.	Qté.
34	Rondelle Plate	D12XΦ24	2
35	Rondelle d'Arc	Φ20XD8.5XR25	12
36	Rondelle Élastique	D8	20
37	Palier	6900ZZ	4
38-1	Essieu à Rouleaux	Φ10X47.5	2
39	Douille en Alliage	Φ18XΦ10X11	4
40-1	Entretoise de Rouleau	Φ16X11.8	4
41	Porte-Bouteille		1
42L	Manivelle Gauche		1
42R	Manivelle Droite		1
43L	Boulon de Charnière de Manivelle Gauche	Φ16X69	1
43R	Boulon de Charnière de Manivelle Droite	Φ16X69	1
44	Rondelle Élastique	Φ13XB2	2
45L	Écrou en Nylon de la Manivelle Gauche	B0.5X20	1
45R	Écrou en Nylon de la Manivelle Droite	B0.5X20	1
46	Axe Long	Φ19.5X332	1
47	Rail en Aluminium	42X22X635	2
48	Entretoise de Barre Oscillante	Φ16.4XΦ8X33.5	2
49	Coussin Réglable	M10X30	4
50	Couvercle de Mât		1
51a	Couvercle Pour Barre de Pivotement Gauche A		1
51b	Couvercle Pour Barre de Pivotement Gauche B		1
52	Couvercle du Rouleau		2
53	Capuchon de Rail en Aluminium		4
54L	Pédale Gauche		1
54R	Pédale Droite		1
55	Capuchon d'Écrou	S13	2
56L	Capuchon de l'Extrémité Avant Gauche		1
56R	Capuchon de l'Extrémité Avant Droite		1
57L	Capuchon de l'Extrémité Arrière Gauche	97XΦ51X33	2
57R	Capuchon de l'Extrémité Arrière Droite	97XΦ51X33	2
58-1	Roue	Φ80x24	2
59	Poignée en Mousse	Φ24XΦ30X480	2
60	Poignée en Mousse	Φ31XΦ37X600	2
61	Capuchon de Champignon	Φ32X1.5	2
62	Capuchon Rond	Φ25X1.5	2

N°	Description	Spec.	Qté.
63	Capuchon Ovale		2
64	Capuchon d'Écrou	S17	4
65	Bouchon de Fil	Φ12X11XΦ3	1
66	Douille en Plastique	Φ38XΦ19.5X26	6
67	Douille en Plastique	Φ28XΦ16.4X16	4
68	Compteur	TZ-4113P	1
68a	Fil du Compteur A		1
69	Fil d'Extension du Capteur 1	800 mm	1
70	Fil d'Extension du Capteur 2	1200 mm	1
71	Adaptateur		1
72	Fil d'Impulsion	650 mm	1
73	Rondelle Ondulée	D20	5
74	Vis Phillips	M5X10	4
75	Capteur de Pouls		2
76	Rondelle Ondulée	D17	2
77	Écrou Borgne	M8	4
78L	Couvercle Pour Barre de Pivotement Droite A		1
78R	Couvercle Pour Barre de Pivotement Droite B		1
79	Douille en Plastique	Φ32X2.0	8
80	Palier	6001	4
81	Axe du Volant d'Inertie	Φ24X103	1
82	Volant d'Inertie	Φ240X40 4kgs	1
83	Courroie	405 PJ6	1
84	Rondelle Plate	D6XΦ16X1.5	3
85	Roue de Renvoi	Φ39X24	1
86	Liaison de la Roue de Pignon		1
87L	Couvre-Courroie Gauche		1
87R	Couvre-Courroie Droite		1
88	Vis Phillips	M6X8	2
89	Couvercle de Manivelle		2
90	Fil de Tension	500 mm	1
91	Rainure à Bride	M12X1.25	2
92	Rondelle Élastique d'Essieu	D20	2
93	Palier	6004	2

N°	Description	Spec.	Qté.
94	Ressort de Traction	Φ1.6XΦ15XL55	1
95	Axe Médian	Φ20X210	1
96	Capuchon de Manivelle		2
97	Boulon de Pivot	Φ14XΦ10XM8X20.5	1
98	Ressort de Traction	Φ18XΦ2.8XL114	1
99	Écrou Hexagonal	M5	2
100	Boulon Hexagonal	M5X60	1
101	Poulie de Courroie	Φ260	1
102	Rondelle Élastique	D6	9
103	Écrou en Nylon	M6	5
104	Bouchon de Tube	Φ25X22	2
105	Moteur		1
106	Capuchon Carré	80X40X1.5	1
107	Rondelle Élastique d'Essieu	D12	2
108	Axe du Tableau Magnétique	Φ12X73	1
109	Tableau Magnétique		1
110	Aimant Carré	40X25X10	4
111	Rondelle Ondulée	D12	1
112	Vis Phillips	M6X10	4
113	Plaque Fixe		2
114	Vis Phillips	M6X12	2
115	Clé à Écrous	S17, S19	1
116	Clé à Écrous	S10, S13, S14, S15, S17	1
117	Clé Allen	S6	1
118	Clé à Écrous	S13, S14	1
119	Clé Allen	S8	1
120	Support de Palier		2
121	Boulon de Réglage	M6X50	1
122	Écrou Hexagonal	M10	2
123	Support de Capteur		1
124	Câble DC	600 mm	1
125	Fil du Capteur	300 mm	1
126	Entretoise	Φ10.5XΦ14X12.2	2

WICHTIGE SICHERHEITSINFORMATIONEN

Wir danken Ihnen, dass Sie sich für unser Produkt entschieden haben. Um Ihre Sicherheit und Gesundheit zu gewährleisten, bitten wir Sie, dieses Gerät richtig zu benutzen. Es ist wichtig, dass Sie diese Anleitung vor dem Zusammenbau und der Verwendung des Geräts vollständig lesen. Eine sichere und effektive Nutzung kann nur erreicht werden, wenn das Gerät ordnungsgemäß zusammengebaut, gewartet und benutzt wird. Es liegt in Ihrer Verantwortung, dafür zu sorgen, dass alle Benutzer des Geräts über alle Warnhinweise und Vorsichtsmaßnahmen informiert sind.

1. Bevor Sie mit einem Trainingsprogramm beginnen, sollten Sie Ihren Arzt konsultieren, um festzustellen, ob Sie unter gesundheitlichen oder körperlichen Beschwerden leiden, die Ihre Gesundheit und Sicherheit gefährden oder Sie daran hindern könnten, die Geräte richtig zu benutzen. Der Rat Ihres Arztes ist unerlässlich, wenn Sie Medikamente einnehmen, die Ihre Herzfrequenz, Ihren Blutdruck oder Ihren Cholesterinspiegel beeinflussen.
2. Achten Sie auf die Signale Ihres Körpers. Falsches oder übermäßiges Training kann Ihre Gesundheit schädigen. Hören Sie auf zu trainieren, wenn Sie eines der folgenden Symptome verspüren: Schmerzen, Engegefühl in der Brust, unregelmäßiger Herzschlag, Kurzatmigkeit, Benommenheit, Schwindelgefühl oder Übelkeit. Wenn Sie eines dieser Symptome verspüren, sollten Sie Ihren Arzt konsultieren, bevor Sie mit Ihrem Trainingsprogramm fortfahren.
3. Halten Sie Kinder und Haustiere von dem Gerät fern. Das Gerät ist nur für Erwachsene bestimmt.
4. Benutzen Sie das Gerät auf einer festen, ebenen Fläche mit einem Schutzbelag für Ihren Boden oder Teppich. Um die Sicherheit zu gewährleisten, sollte um das Gerät herum ein Freiraum von mindestens 60 cm (2 Fuß) vorhanden sein.
5. Vergewissern Sie sich, dass alle Muttern und Schrauben fest angezogen sind, bevor Sie das Gerät benutzen. Die Sicherheit des Geräts kann nur aufrechterhalten werden, wenn es regelmäßig auf Schäden und/oder Verschleiß untersucht wird.
6. Benutzen Sie das Gerät immer wie angegeben. Wenn Sie beim Zusammenbau oder bei der Überprüfung des Geräts defekte Teile feststellen oder wenn Sie während des Trainings ungewöhnliche Geräusche aus dem Gerät hören, stellen Sie den Gebrauch des Geräts sofort ein und benutzen Sie es nicht, bis das Problem behoben ist.
7. Tragen Sie bei der Benutzung des Geräts geeignete Kleidung. Vermeiden Sie es, lose Kleidung zu tragen, die sich im Gerät verfangen könnte.
8. Stecken Sie keine Finger oder Gegenstände in die beweglichen Teile des Geräts.
9. Die maximale Gewichtskapazität dieses Geräts beträgt 120 kgs (265 lbs).
10. Das Gerät ist nicht für den therapeutischen Einsatz geeignet.
11. Zur Vermeidung von Körperverletzungen und/oder Schäden am Produkt oder am Eigentum ist ein ordnungsgemäßes Anheben und Bewegen erforderlich.
12. Ihr Produkt ist für den Gebrauch unter kühlen, trockenen Bedingungen vorgesehen. Vermeiden Sie die Lagerung in extrem kalten, heißen oder feuchten Räumen, da dies zu Korrosion und anderen damit verbundenen Problemen führen kann.
13. Dieses Gerät ist nur für den Gebrauch in Innenräumen und zu Hause bestimmt. Es ist nicht für den gewerblichen Gebrauch bestimmt!

WICHTIGE SICHERHEITSANWEISUNGEN

Lesen Sie alle Anweisungen, bevor Sie (dieses Gerät) benutzen.

Wenn Sie ein elektrisches Gerät verwenden, sollten Sie immer die folgenden grundlegenden Vorsichtsmaßnahmen beachten:

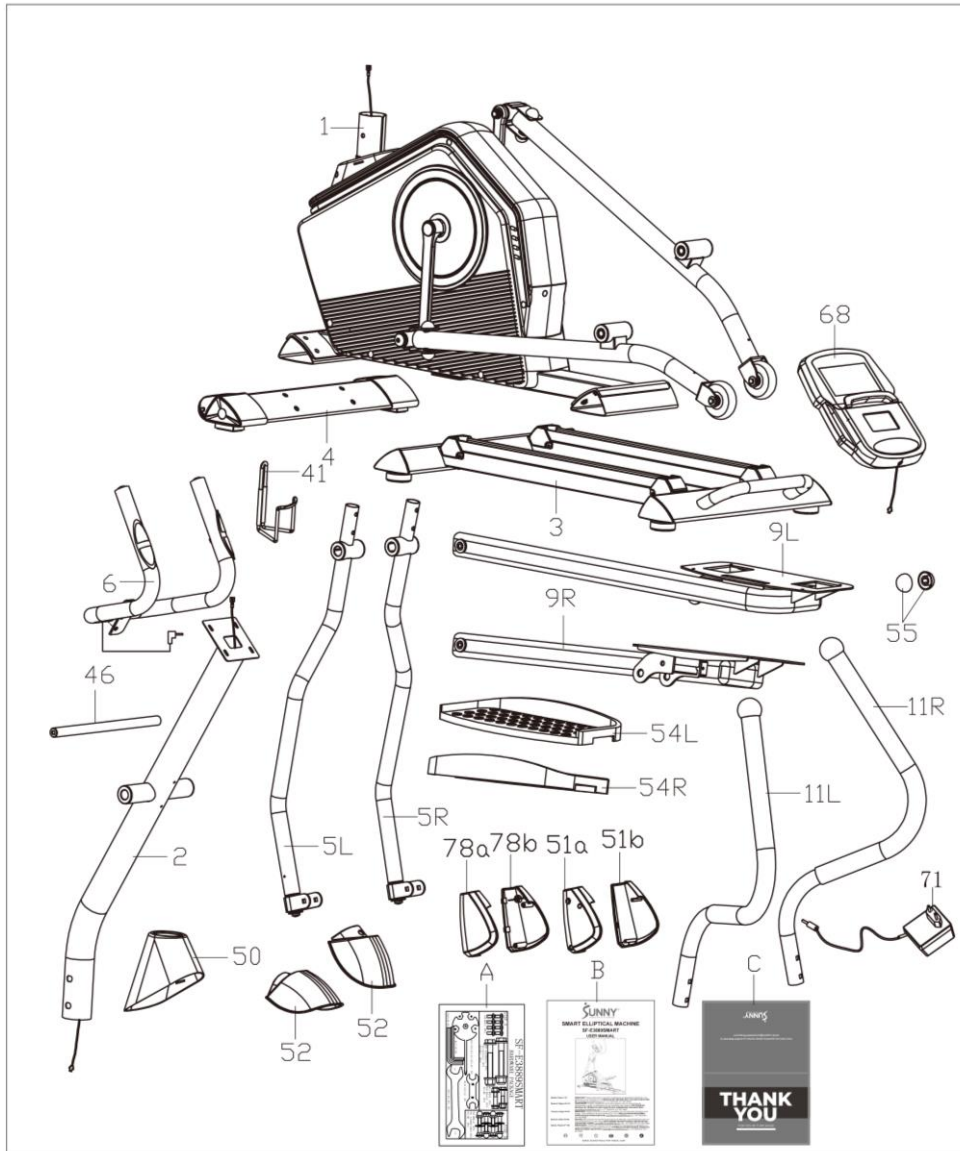
WARNUNG - Um das Risiko von Verbrennungen, Feuer, Stromschlägen oder Verletzungen zu verringern:

1. Dieses Gerät ist nicht für die Verwendung durch Personen mit eingeschränkten physischen, sensorischen oder geistigen Fähigkeiten oder mangelnder Erfahrung und Kenntnis bestimmt, es sei denn, sie werden von einer für ihre Sicherheit verantwortlichen Person beaufsichtigt oder in die Verwendung des Geräts eingewiesen. Halten Sie Kinder unter 13 Jahren von diesem Gerät fern.
2. Verwenden Sie das Gerät nur für den in diesem Handbuch beschriebenen Verwendungszweck. Verwenden Sie keine Anbaugeräte, die nicht vom Hersteller empfohlen werden.
3. Betreiben Sie das Gerät niemals, wenn die Luftöffnungen blockiert sind. Halten Sie die Luftöffnungen frei von Fusseln, Haaren und dergleichen.
4. Lassen Sie keine Gegenstände in die Öffnungen fallen und stecken Sie sie nicht hinein.
5. Verwenden Sie das Gerät nicht im Freien.
6. Nicht dort betreiben, wo Aerosolprodukte (Sprays) verwendet werden oder Sauerstoff verabreicht wird.
7. Nehmen Sie das Gerät nicht in Betrieb, wenn das Kabel oder der Stecker beschädigt ist, wenn es nicht richtig funktioniert, wenn es fallen gelassen oder beschädigt wurde oder wenn es ins Wasser gefallen ist. Bringen Sie das Gerät zur Überprüfung und Reparatur in ein Kundendienstzentrum.

BEWAHREN SIE DIESE ANLEITUNG AUF.

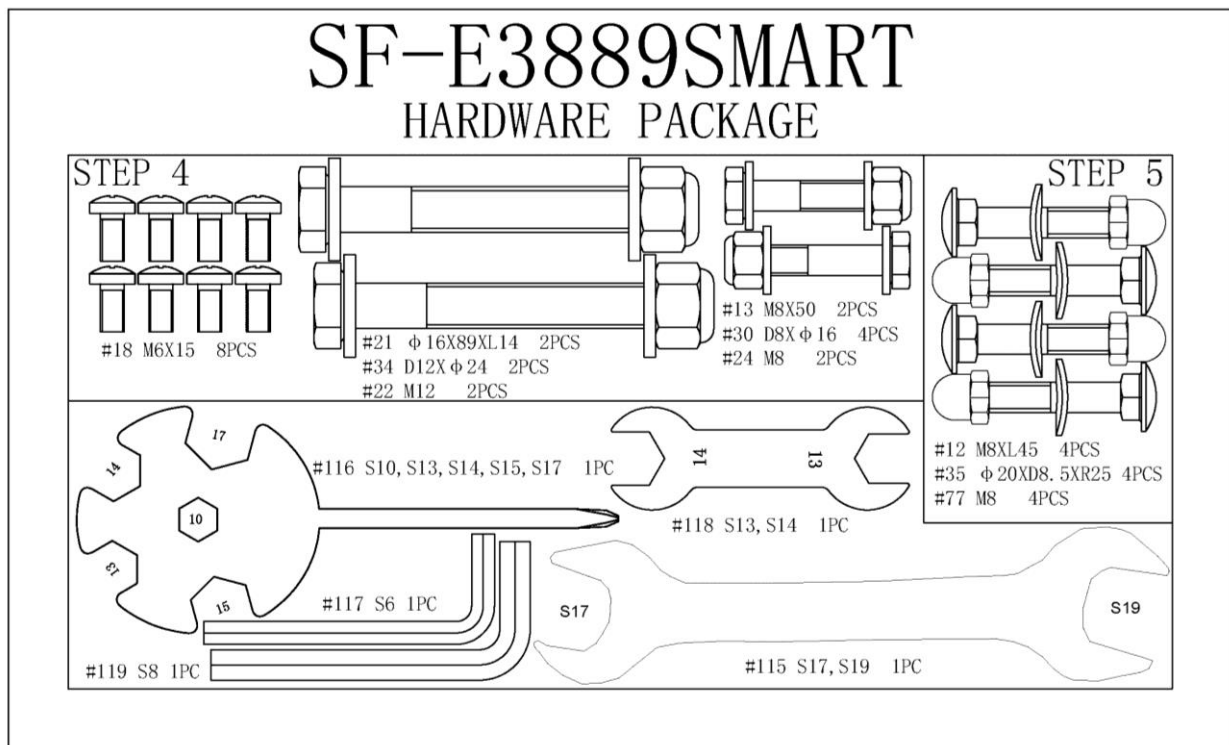
VOR-MONTAGE-CHECKLISTE

Bevor Sie mit dem Zusammenbau beginnen, vergewissern Sie sich bitte, dass alle Teile vorhanden sind.



Nr.	Beschreibung	Spez.	Anz.	Nr.	Beschreibung	Spez.	Anz.
1	Hauptrahmen		1	51a	Abdeckung für Linke Schwenkstange A		1
2	Lenkersäule		1	51b	Abdeckung für Linke Schwenkstange B		1
3	Schienenrahmen		1	52	Abdeckung für Rolle		2
4	Stabilisator Vorne		1	54L	Linke Pedal		1
5L	Linke Schwinge		1	54R	Rechte Pedal		1
5R	Rechte Schwinge		1	55	Kappe für Mutter	S13	2
6	Fester Lenker		1	68	Messgerät	TZ-4113P	1
9L	Linke Pedalarm		1	71	Adaptor		1
9R	Rechte Pedalarm		1	78a	Abdeckung für Rechte Schwingenstange A		1
11L	Linke Lenker		1	78b	Abdeckung für Rechte Schwingenstange B		1
11R	Rechte Lenker		1	A	Hardware-Paket		1
41	Flaschenhalter		1	B	Handbuch		1
46	Lange Achse	Φ19.5x332	1	C	Dankeskarte		1
50	Mastabdeckung		1				

HARDWARE-PAKET



Bestellung von Ersatzteilen (nur für Kunden aus den USA und Kanada)

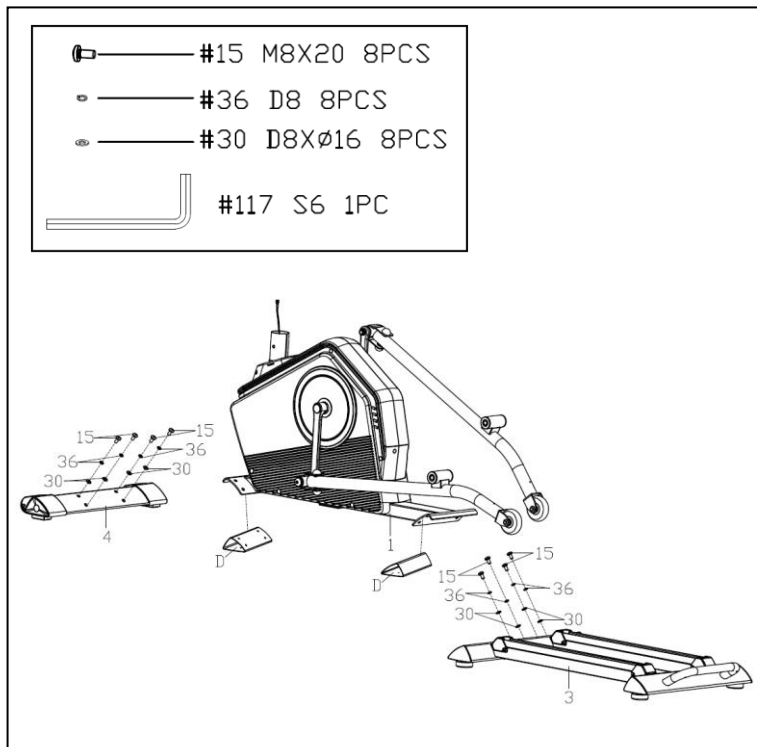
Bitte geben Sie die folgenden Informationen an, damit wir das/die benötigte(n) Teil(e) genau identifizieren können:

- ✓ Die Modellnummer (auf dem Umschlag des Handbuchs zu finden)
- ✓ Der Produktname (auf dem Umschlag des Handbuchs zu finden)
- ✓ Die Teilenummer, die Sie in der "EXPLOSIONSZEICHNUNG" (Seiten 109~110) und der "TEILELISTE" (Seiten 85~86) finden.

kontaktieren Sie uns unter support@sunnyhealthfitness.com oder 1-877-90SUNNY (877-907-8669).

MONTAGEANLEITUNG

Wir schätzen Ihre Erfahrung mit den Produkten von Sunny Health and Fitness. Wenn Sie Hilfe bei der Beschaffung von Ersatzteilen oder bei der Fehlersuche benötigen, wenden Sie sich bitte an support@sunnyhealthfitness.com oder 1-877-90SUNNY (877-907-8669).



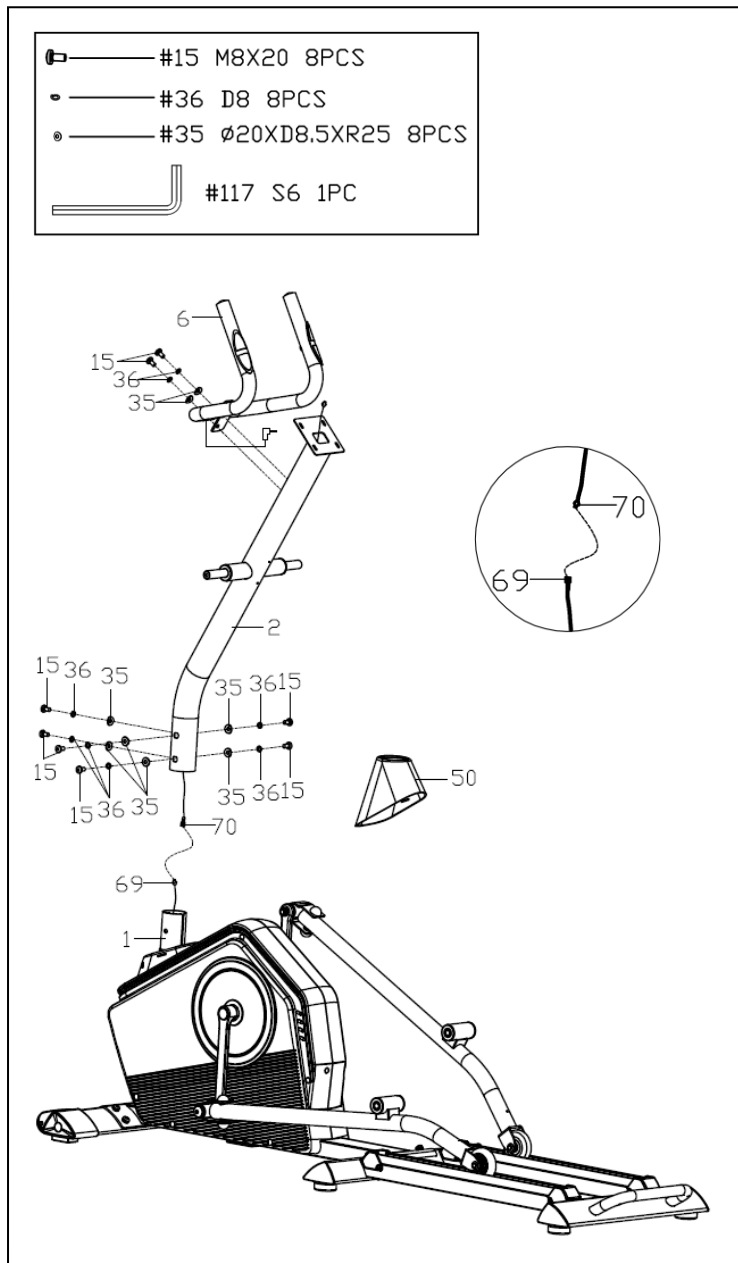
SCHRITT 1:

Entfernen Sie die 2 **Versandhülsen (Nr. D)**, 8 **Inbusschrauben (Nr. 15)**, 8 **Unterlegscheiben (Nr. 30)** und 8 **Federscheiben (Nr. 36)** mit dem **Inbus-Schlüssel (Nr. 117)** vom **Hauptrahmen (Nr. 1)**.

Befestigen Sie den **Vorderen Stabilisator (Nr. 4)** und den **Schienenrahmen (Nr. 3)** am **Hauptrahmen (Nr. 1)** mit 8 **Inbusschrauben (Nr. 15)**, 8 **Unterlegscheiben (Nr. 30)** und 8 **Federscheiben (Nr. 36)**, die entfernt wurden. Ziehen Sie sie fest und sichern Sie sie mit dem **Inbus-Schlüssel (Nr. 117)**.

HINWEIS: Sie können die 2 **Versandhülsen (Nr. D)** entsorgen oder aufbewahren, um den Artikel in Zukunft neu zu verpacken.

Wir schätzen Ihre Erfahrung mit den Produkten von Sunny Health and Fitness. Wenn Sie Hilfe bei der Beschaffung von Ersatzteilen oder bei der Fehlersuche benötigen, wenden Sie sich bitte an support@sunnyhealthfitness.com oder 1-877-90SUNNY (877-907-8669).



SCHRITT 2:

Entfernen Sie 6 **Inbusschrauben (Nr. 15)**, 6 **Federscheiben (Nr. 36)** und 6 **Bogenscheiben (Nr. 35)** mit dem **Inbus-Schlüssel (Nr. 117)** vom **Hauptrahmen (Nr. 1)**.

Schieben Sie die **Mastabdeckung (Nr. 50)** auf den **Lenkersäule (Nr. 2)**.

Verbinden Sie das **Sensor-Verlängerungsdraht 2 (Nr. 70)** mit dem **Sensor-Verlängerungsdraht 1 (Nr. 69)**.

HINWEIS: Um die Drähte nicht zu beschädigen, stecken Sie sie bitte in die **Lenkersäule (Nr. 2)**, bevor Sie die **Lenkersäule (Nr. 2)** am **Hauptrahmen (Nr. 1)** befestigen.

Stecken Sie die **Lenkersäule (Nr. 2)** auf die Säule des **Hauptrahmens (Nr. 1)** und befestigen Sie sie mit 6 **Inbusschrauben (Nr. 15)**, 6 **Federscheiben (Nr. 36)** und 6 **Bogenscheiben (Nr. 35)**, die entfernt wurden. Mit dem **Inbus-Schlüssel (Nr. 117)** festziehen und sichern.

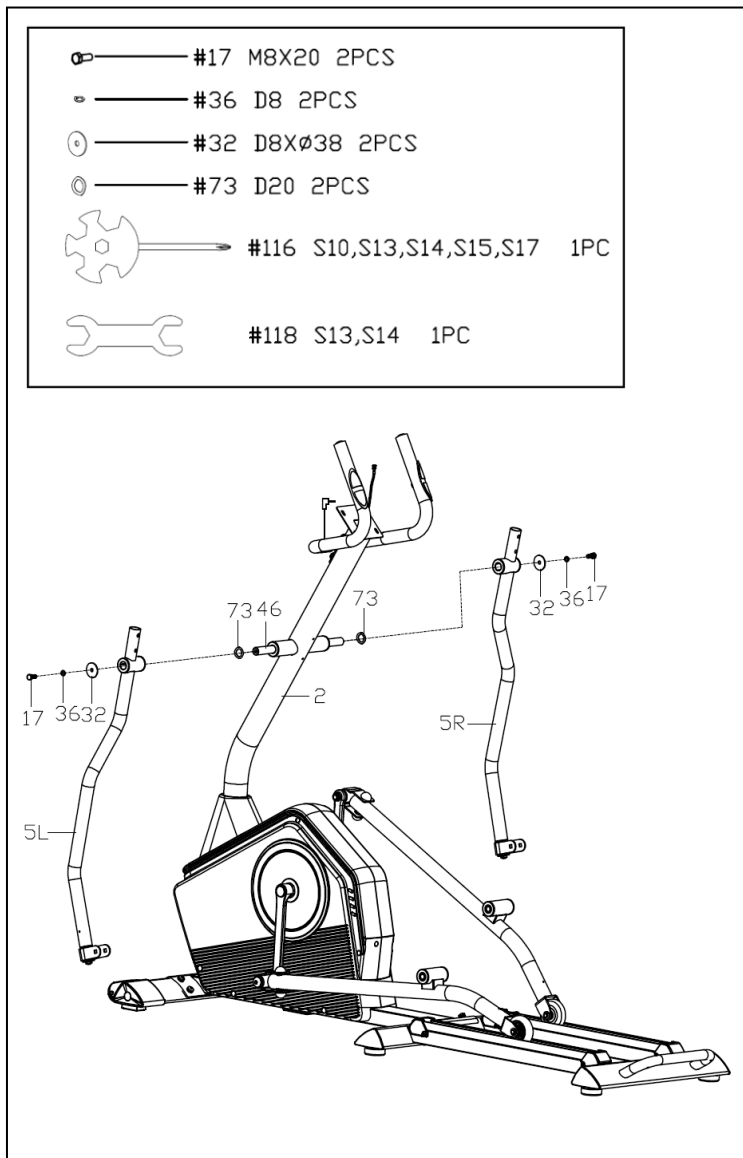
HINWEIS: Achten Sie darauf, dass der **Lenkersäule (Nr. 2)** gerade auf den Pfosten des **Hauptrahmens (Nr. 1)** aufgesetzt wird.

Schieben Sie die **Mastabdeckung (Nr. 50)** herunter und bringen Sie sie an.

Entfernen Sie 2 **Inbusschrauben (Nr. 15)**, 2 **Federscheiben (Nr. 36)** und 2 **Bogenscheiben (Nr. 35)** mit dem **Inbus-Schlüssel (Nr. 117)** von der **Lenkersäule (Nr. 2)**.

Bringen Sie den **Fester Lenker (Nr. 6)** an der **Lenkersäule (Nr. 2)** an. Sichern Sie ihn mit 2 **Inbusschrauben (Nr. 15)**, 2 **Federscheiben (Nr. 36)** und 2 **Bogenscheiben (Nr. 35)**, die mit dem **Inbus-Schlüssel (Nr. 117)** entfernt wurden.

Wir schätzen Ihre Erfahrung mit den Produkten von Sunny Health and Fitness. Wenn Sie Hilfe bei der Beschaffung von Ersatzteilen oder bei der Fehlersuche benötigen, wenden Sie sich bitte an support@sunnyhealthfitness.com oder 1-877-90SUNNY (877-907-8669).



SCHRITT 3:

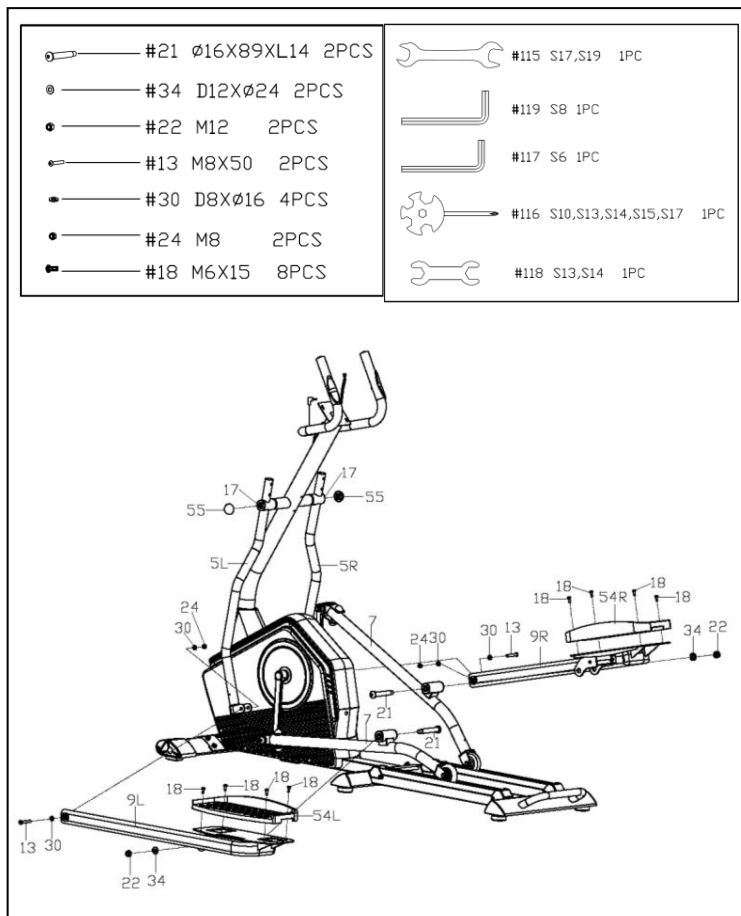
Entfernen Sie 2 **Sechskantschrauben (Nr. 17)**, 2 **Federscheiben (Nr. 36)**, 2 **Unterlegscheiben (Nr. 32)** und 2 **Wellenunterlegscheiben (Nr. 73)** mit dem **Schraubenschlüssel (Nr. 116)** und **Schraubenschlüssel (Nr. 118)** von der **Lange Achse (Nr. 46)**.

Setzen Sie die **Lange Achse (Nr. 46)** in den **Lenkersäule (Nr. 2)** ein und setzen Sie dann die 2 **Wellenunterlegscheiben (Nr. 73)**, die entfernt wurden, auf beiden Seiten der **Lange Achse (Nr. 46)** ein.

Befestigen Sie die **Linke & Rechte Schwingen (Nr. 5L & Nr. 5R)** an beiden Seiten der **Lange Achse (Nr. 46)** mit 2 **Unterlegscheiben (Nr. 32)**, 2 **Federscheiben (Nr. 36)** und 2 **Sechskantschrauben (Nr. 17)**, die entfernt wurden. Mit **Schraubenschlüssel (Nr. 116)** und **Schraubenschlüssel (Nr. 118)** festziehen.

HINWEIS: Ziehen Sie die **Sechskantschrauben (Nr. 17)** während dieses Schritts nicht fest.

Wir schätzen Ihre Erfahrung mit den Produkten von Sunny Health and Fitness. Wenn Sie Hilfe bei der Beschaffung von Ersatzteilen oder bei der Fehlersuche benötigen, wenden Sie sich bitte an support@sunnyhealthfitness.com oder 1-877-90SUNNY (877-907-8669).



SCHRITT 4:

Befestigen Sie die **Linke & Rechte Pedalarmen (Nr. 9L & Nr. 9R)** an den 2 **Rollenarmen (Nr. 7)** mit 2 **Pedal-Scharnierbolzen (Nr. 21)**, dann bringen Sie 2 **Unterlegscheiben (Nr. 34)** und 2 **Nylon-Muttern (Nr. 22)** am Ende der 2 **Pedal-Scharnierbolzen (Nr. 21)** mit einem **Inbus-Schlüssel (Nr. 119)** und einem **Schraubenschlüssel (Nr. 115)** an.

HINWEIS: Ziehen Sie die **Pedal-Scharnierbolzen (Nr. 21)** in diesem Schritt nicht fest.

Befestigen Sie die **Linke & Rechte Pedalarmen (Nr. 9L & Nr. 9R)** an den **Linke & Rechte Schwingen (Nr. 5L & Nr. 5R)** mit 2 **Inbusschrauben (Nr. 13)** und 2 **Unterlegscheiben (Nr. 30)** und setzen Sie dann 2 **Unterlegscheiben (Nr. 30)** und 2 **Nylon-Muttern (Nr. 24)** mit dem **Inbus-Schlüssel (Nr. 117)** und dem **Schraubenschlüssel (Nr. 118)** auf.

HINWEIS: Ziehen Sie die **Inbusschrauben (Nr. 13)** während dieses Schritts nicht fest.

Befestigen Sie **Linke & Rechte Pedalen (Nr. 54L & Nr. 54R)** an den **Linke & Rechte Pedalarmen (Nr. 9L & Nr. 9R)** mit 8 **Phillips-Schrauben (Nr. 18)** und einem **Schraubenschlüssel (Nr. 116)**.

HINWEIS: Beide **Linke & Rechte Pedalen (Nr. 54L & Nr. 54R)** sind beschriftet: L für LINKS und R für RECHTS.






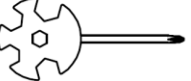
Jetzt können Sie die **Sechskantschrauben (Nr. 17)** aus **SCHRITT 3** mit dem **Schraubenschlüssel (Nr. 116)** und dem **Schraubenschlüssel (Nr. 118)** anziehen.

Mit den 2 **Kappen für Mutter (Nr. 55)** abdecken. Ziehen Sie dann die 2 **Pedal-Scharnierbolzen (Nr. 21)** und 2 **Nylon-Muttern (Nr. 22)** mit dem **Inbus-Schlüssel (Nr. 119)** und dem **Schraubenschlüssel (Nr. 115)** fest.

HINWEIS: Vergewissern Sie sich, dass alle Schrauben und Unterlegscheiben an ihrem Platz sind und ziehen Sie nun die **Inbusschrauben (Nr. 13)** mit dem **Inbus-Schlüssel (Nr. 117)** und dem **Schraubenschlüssel (Nr. 118)** fest.

Wir schätzen Ihre Erfahrung mit den Produkten von Sunny Health and Fitness. Wenn Sie Hilfe bei der Beschaffung von Ersatzteilen oder bei der Fehlersuche benötigen, wenden Sie sich bitte an support@sunnyhealthfitness.com oder 1-877-90SUNNY (877-907-8669).

SCHRITT 5:

	#12 M8XL45	4PCS
	#77 M8	4PCS
	#35 Ø20XD8,5XR25	4PCS
	#26 ST4.2X18	4PCS
	#27 ST3.5X12	4PCS
	#116 S10,S13,S14,S15,S17	1PC

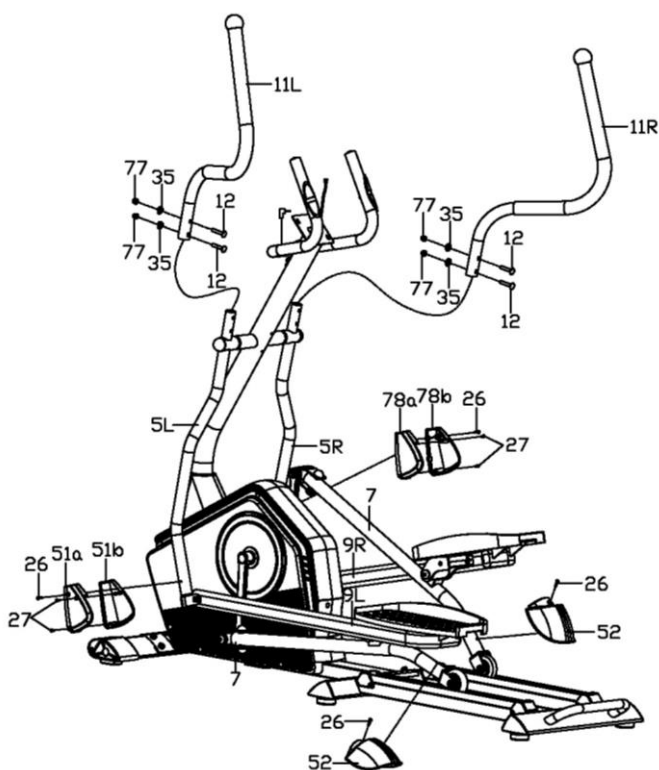
Befestigen Sie die **Linke & Rechte Lenkern (Nr. 11L & Nr. 11R)** an den **Linke & Rechte Schwingen (Nr. 5L & Nr. 5R)** mit 4 **Schlittenbolzen (Nr. 12)**, 4 **Bogenscheibe (Nr. 35)** und 4 **Kappe für Muttern (Nr. 77)** mit einem **Schraubenschlüssel (Nr. 116)**.

Entfernen Sie die 4 **Phillips-Schneidschrauben (Nr. 27)** aus den **Abdeckungen für Linke Schwenkstange A & B (Nr. 51a & Nr. 51b)** und den 2 **Abdeckungen für Rechte Schwingenstange A & B (Nr. 78a & Nr. 78b)** mit dem **Schraubenschlüssel (Nr. 116)**.

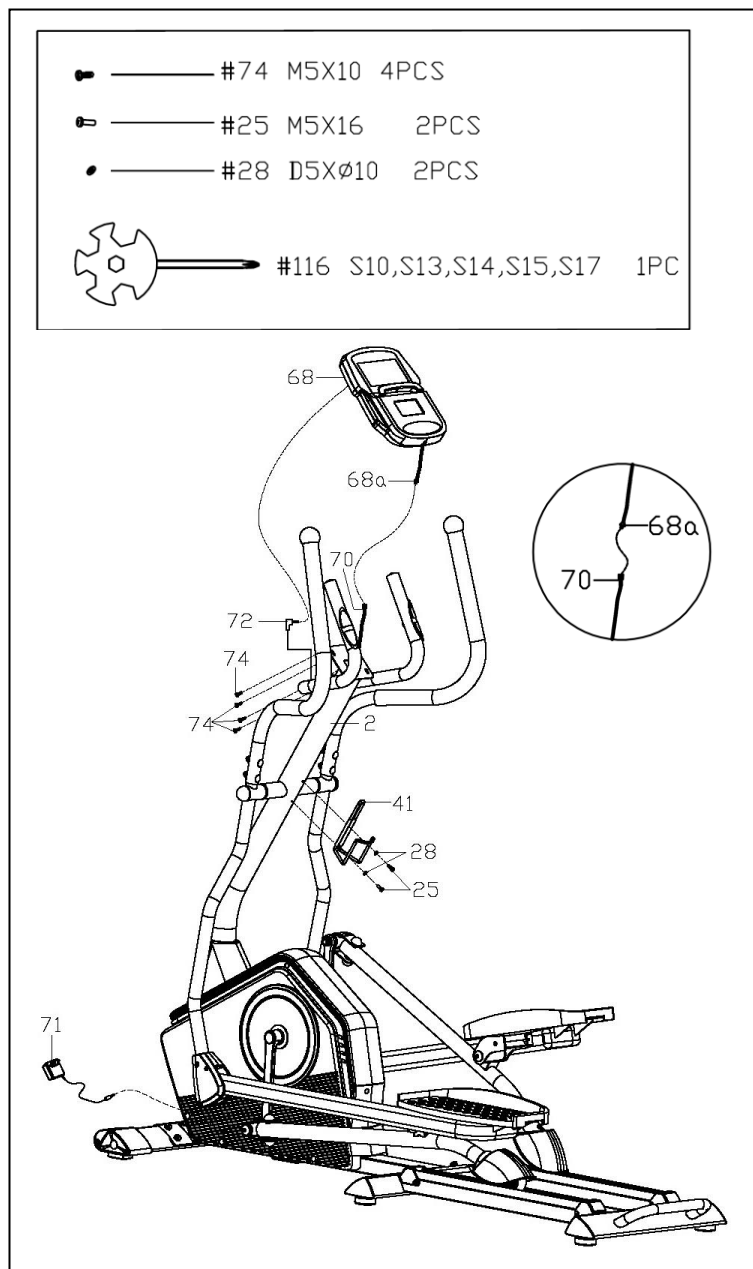
Entfernen Sie die 2 **Phillips-Schneidschrauben (Nr. 26)** von den **Linke & Rechte Schwingen (Nr. 5L & Nr. 5R)** mit dem **Schraubenschlüssel (Nr. 116)**. Befestigen Sie dann **Abdeckungen für Linke Schwenkstange A & B (Nr. 51a & Nr. 51b)** und **Abdeckungen für Rechte Schwingenstange A & B (Nr. 78a & Nr. 78b)** an den **Linke & Rechte Schwingen (Nr. 5L & Nr. 5R)** mit jeweils 4 **Phillips-Schneidschrauben (Nr. 27)** und 2 **Phillips-Schneidschrauben (Nr. 26)**, die entfernt wurden. Festziehen und mit **Schraubenschlüssel (Nr. 116)** sichern.

HINWEIS: Sowohl die **Abdeckungen für Linke Schwenkstange A & B (Nr. 51a & Nr. 51b)** als auch die **Abdeckungen für Rechte Schwingenstange A & B (Nr. 78a & Nr. 78b)** sind beschriftet: L für LINKS und R für RECHTS.

Entfernen Sie die 2 **Phillips-Schneidschrauben (Nr. 26)** von den 2 **Rollenarmen (Nr. 7)** mit dem **Schraubenschlüssel (Nr. 116)**. Befestigen Sie dann 2 **Abdeckungen für Rolle (Nr. 52)** an den 2 **Rollenarmen (Nr. 7)** mit jeweils 2 **Phillips-Schneidschrauben (Nr. 26)**, die entfernt wurden. Festziehen und mit **Schraubenschlüssel (Nr. 116)** sichern.



Wir schätzen Ihre Erfahrung mit den Produkten von Sunny Health and Fitness. Wenn Sie Hilfe bei der Beschaffung von Ersatzteilen oder bei der Fehlersuche benötigen, wenden Sie sich bitte an support@sunnyhealthfitness.com oder 1-877-90SUNNY (877-907-8669).



SCHRITT 6:

Entfernen Sie die 4 **Phillips-Schrauben (Nr. 74)** vom **Messgerät (Nr. 68)** mit dem **Schraubenschlüssel (Nr. 116)**.

Stecken Sie den **Impulskabel (Nr. 72)** in die vorgesehene Buchse auf der Rückseite des **Messgerät (Nr. 68)**.

Verbinden Sie dann den **Sensor-Verlängerungsdraht 2 (Nr. 70)** mit dem **Messgerät Draht A (Nr. 68a)**.

Befestigen Sie das **Messgerät (Nr. 68)** an der Halterung der **Lenkersäule (Nr. 2)** mit 4 **Phillips-Schrauben (Nr. 74)**, die entfernt wurden. Ziehen Sie sie fest und sichern Sie sie mit dem **Schraubenschlüssel (Nr. 116)**.

HINWEIS: Um eine Beschädigung der Kabel zu vermeiden, stecken Sie diese bitte in die **Lenkersäule (Nr. 2)**, bevor Sie das **Messgerät (Nr. 68)** an der Halterung befestigen.

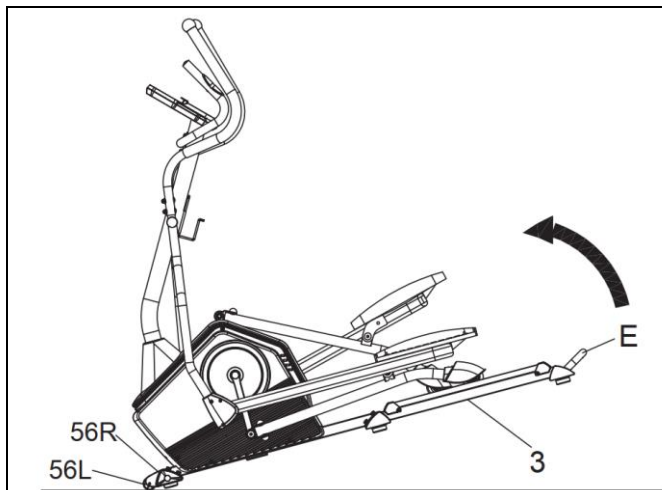
Entfernen Sie die 2 **Phillips-Schrauben (Nr. 25)** und 2 **Unterlegscheiben (Nr. 28)** mit dem **Schraubenschlüssel (Nr. 116)** von der **Lenkersäule (Nr. 2)**.

Befestigen Sie dann den **Flaschenhalter (Nr. 41)** mit 2 **Phillips-Schrauben (Nr. 25)** und 2 **Unterlegscheiben (Nr. 28)**, die entfernt wurden, an der **Lenkersäule (Nr. 2)**. Ziehen Sie sie fest und sichern Sie sie mit dem **Schraubenschlüssel (Nr. 116)**.

Stecken Sie den Stecker des **Adaptor (Nr. 71)** in den Adaptereingang an der Vorderseite des **Hauptrahmen (Nr. 1)** und dann den **Adaptor (Nr. 71)** in eine Steckdose.

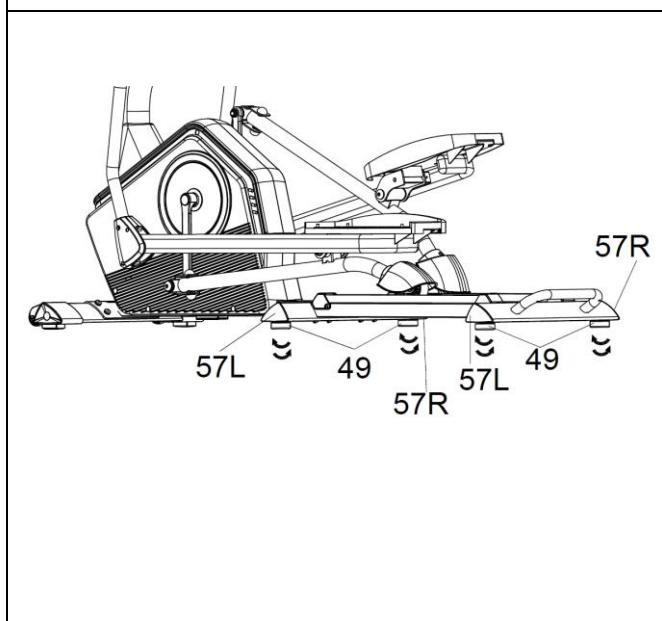
Der Zusammenbau ist abgeschlossen!

EINSTELLANLEITUNG



WIE MAN DEN ELLIPTISCHEN TRAINER BEWEGT

An den **Linke & Rechte Vorderen Endkappen (Nr. 56L & Nr. 56R)** befinden sich Transportrollen. Halten Sie den **Lenker (Nr. E)** des **Schienenrahmen (Nr. 3)** fest und ziehen Sie ihn nach vorne, um den hinteren Teil des Elliptical Trainers vom Boden zu heben. Jetzt können Sie den Elliptical Trainer bewegen.



EINSTELLEN DES GLEICHGEWICHTS

Um eine gleichmäßige und komfortable Fahrt zu erreichen, müssen Sie sicherstellen, dass der Elliptical Trainer stabil und sicher steht. Wenn Sie feststellen, dass der Elliptical Trainer während der Benutzung nicht im Gleichgewicht ist, sollten Sie die **Einstellbaren Pad (Nr. 49)**, die sich unter den **Linke & Rechte Hinteren Endkappen (Nr. 57L & Nr. 57R)** befinden, einstellen. Drehen Sie dazu einfach die **Einstellbaren Pad (Nr. 49)**, bis der Ellipsentrainer eine gerade Linie mit der Bodenoberfläche bildet.

REINIGUNG

Der Elliptical Trainer kann mit einem weichen, sauberen, feuchten Tuch gereinigt werden. Verwenden Sie keine Scheuermittel oder Lösungsmittel für die Kunststoffteile. Bitte wischen Sie Ihren Schweiß nach jedem Gebrauch vom Gerät ab. Achten Sie darauf, dass keine übermäßige Feuchtigkeit auf das Anzeigefeld des Geräts gelangt, da dies zu einer elektrischen Gefährdung oder einem Ausfall der Elektronik führen kann.

Bitte halten Sie das Gerät, insbesondere das Messgerät, von direktem Sonnenlicht fern, um Schäden am Bildschirm zu vermeiden.

Bitte überprüfen Sie wöchentlich alle Schrauben und Pedale des Gerätes auf festen Sitz.

LAGERUNG

Lagern Sie den Elliptical Trainer in einer sauberen und trockenen Umgebung, außerhalb der Reichweite von Kindern.

WICHTIGE ELLIPTISCHE INFORMATIONEN

WARNUNG!

Dieser Ellipsentrainer benötigt eine Stromquelle mit **1 Ampere (100-240 V)**, um ordnungsgemäß zu funktionieren. Zu Ihrer Sicherheit und der Sicherheit anderer Personen überprüfen Sie bitte, ob die Stromquelle korrekt ist, bevor Sie das Gerät anschließen. Jede Stromquelle, die diesen Wert über- oder unterschreitet, kann zu erheblichen Schäden am Gerät und am Benutzer führen.

BETRIEBSANLEITUNG

Stecken Sie den Adapter in den Ellipsentrainer und in die Steckdose. Das Messgerät schaltet sich ein.

Das Messgerät schaltet sich aus, wenn es 4 Minuten lang keine Aktivität gibt erfolgt und keine Bluetooth-Verbindung besteht.

Drücken Sie eine beliebige Taste auf dem Messgerät, um es wieder einzuschalten.



HINWEIS: Sie können den Elliptical Trainer auch dann benutzen, wenn er nicht angeschlossen ist. Allerdings funktioniert das Messgerät nicht und Sie können weder den Widerstand einstellen noch eine der Funktionen nutzen.

BEWEGUNGSMESSGERÄT

SCHLÜSSELFUNKTIONEN:

TASTE	FUNKTION
START/STOP	Starten und Unterbrechen von Trainingseinheiten. Körperfettmessung starten.
DOWN (AB)	Verringern der Widerstandsstufe während des Trainings. Verringern des Wertes des ausgewählten Parameters.
UP (AUF)	Erhöhen Sie während des Trainings die Widerstandsstufe. Wert des ausgewählten Parameters erhöhen.
ENTER (EINGABE)	Eingabe des Wertes oder Modus.
RECOVERY (WIEDERHERSTELLUNG)	Rufen Sie die Erholungsfunktion auf, wenn das Messgerät den Herzfrequenzwert anzeigt. Erholungsanzeigen F1-F6. F1 ist ein ausgezeichneter Erholungspuls. F6 steht für eine schlechte Erholungsherzfrequenz.
MODE (MODUS)	Schalten Sie während des Trainings die Anzeige von RPM (U/MIN) auf SPEED, ODO (KILOMETERZÄHLER) auf DIST (DISTANZ) und WATT auf CALORIES um. Halten Sie die Taste 3 Sekunden lang gedrückt, um alle Funktionswerte auf Null zurückzusetzen, außer ODO (KILOMETERZÄHLER).

TRAININGSAUSWAHL:

Nach dem Einschalten des Messgeräts durch Einstecken des Adapters oder, wenn es bereits eingesteckt ist, durch Drücken einer beliebigen Taste am Messgerät, verwenden Sie die Tasten UP (AUF) oder DOWN (AB), um eine Auswahl zu treffen. Drücken Sie dann die ENTER (EINGABE)-Taste, um den gewünschten Modus auszuwählen.

Es gibt 7 Grundtrainingsmodi:

Manuell Programme, Voreingestellten Programme, Wattsteuerungsprogramm, Körperfettprogramm, Zielherzfrequenzprogramm, Herzfrequenzkontrollprogramme und Benutzerprogramme.

FUNKTIONEN:

SPEED: Zeigt die aktuelle Trainingsgeschwindigkeit an. Die Höchstgeschwindigkeit beträgt 99,9 MPH.

RPM (U/MIN): Zeigt die aktuelle Umdrehung pro Minute an.

TIME (ZEIT): Kumuliert die Trainingszeit von 0:00 bis 99:59. Der Benutzer kann die gewünschte Zielzeit voreinstellen.

DIST (DISTANZ): Akkumuliert die Trainingsdistanz von 0,00 bis 999,9 Meilen. Der Benutzer kann die zu erreichende Zielentfernung vorgeben.

ODO (KILOMETERZÄHLER): Zeigt die akkumulierte Gesamtdistanz von 0 bis 9999 Miles an.

CAL (KALORIEN): Sammelt die verbrannten Kalorien von 0 bis 9999. Der Benutzer kann die Zielkalorien, die er verbrennen möchte, voreinstellen.

WATT: Zeigt die aktuelle Wattzahl an.

HEART RATE (HERZFREQUENZ): Zeigt die aktuelle Herzfrequenz in Schlägen pro Minute an.

TARGET HR. (ZIELHERZFREQUENZ): Benutzer können ihre Zielherzfrequenz voreinstellen.

PROGRAMM: Es stehen 24 verschiedene Trainingsprogramme zur Auswahl.

LEVEL: Das Programm hat 10 Spalten mit Balken und 8 Balken in jeder Spalte. Jede Spalte steht für ein 1-minütiges Training und jeder Balken für 2 Widerstandsstufen.

WORKOUT-PARAMETER:

TIME (ZEIT) / DIST (DISTANZ) / CAL (KALORIEN) / AGE (ALTER) / WATT / TARGET HR. (ZIELHERZFREQUENZ)

EINSTELLEN DER TRAININGSPARAMETER

Nach Auswahl des gewünschten Trainingsmodus: Manuelle Programme, Voreingestellten Programme, Wattsteuerungsprogramm, Körperfettprogramm, Zielherzfrequenzprogramm, Herzfrequenzkontrollprogramme und Benutzerprogramme. Sie können mehrere Trainingsparameter für die gewünschten Ergebnisse voreinstellen.

HINWEIS: EINIGE PARAMETER SIND IN BESTIMMTEN PROGRAMMEN NICHT EINSTELLBAR. ZEIT UND STRECKE KÖNNEN NICHT GLEICHZEITIG EINGESTELLT WERDEN.

Wenn Sie ein Programm ausgewählt haben, drücken Sie die ENTER (EINGABE)-Taste und TIME blinkt.

Mit der UP (AUF) oder DOWN (AB)-Taste können Sie den gewünschten Zeitwert auswählen. Drücken Sie die ENTER (EINGABE)-Taste, um die Werte einzugeben. Die blinkende Anzeige wechselt zum nächsten Parameter. Fahren Sie mit der Taste UP (AUF) oder DOWN (AB) fort. Drücken Sie die START/STOP-Taste, um das Training zu beginnen.

MEHR ÜBER DIE EINSTELLUNG VON TRAININGSPARAMETERN

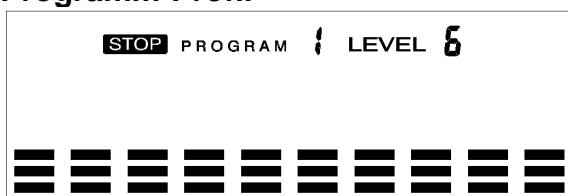
Feld	Einstellung Bereich	Standardwert	Erhöhen/ Verringern	Beschreibung
TIME (ZEIT)	0:00~99:00	0:00	±1:00	1..Wenn die Anzeige auf 0:00 eingestellt ist, zählt TIME (ZEIT) aufwärts. 2..Wenn TIME (ZEIT) auf 1:00-99:00 eingestellt ist, zählt sie bis 0.00 herunter.
DIST (DISTANZ)	0.00~999.0	0.00	±1.00	1..Wenn die Anzeige auf 0.00 eingestellt ist, zählt DIST (DISTANZ) aufwärts. 2..Wenn DIST (DISTANZ) auf 1.00~999.0 eingestellt ist, wird auf 0.00 heruntergezählt.

CAL (KALORIEN)	0.00~9995	0.00	±5.00	1..Wenn die Anzeige auf 0.00 eingestellt ist, zählen die CAL (KALORIEN) aufwärts. 2. Wenn CAL (KALORIEN) auf 5,00~9995 eingestellt ist, wird auf 0,00 heruntergezählt.
WATT	50~250	100	±5	Der Benutzer kann den Wattwert nur im Wattkontrollprogramm einstellen.
AGE (ALTER)	10~99	30	±1	Die Ziel-HR basiert auf dem Alter. Wenn die Herzfrequenz die Zielherzfrequenz überschreitet, blinkt die Herzfrequenzzahl.
TARGET HR. (ZIELHERZ FREQUENZ)	60~220	60	±1	Einstellen der Parameter für die Zielherzfrequenz.

PROGRAMMBETRIEB:

MANUELLES PROGRAMM (P1)

Programm-Profil



EINSTELLUNG DER PARAMETER FÜR DAS MANUELLE PROGRAMM

1. Wählen Sie mit der Taste UP (AUF) oder DOWN (AB) das **Manuelle Programm (P1)** aus und drücken Sie dann die Taste ENTER (EINGABE).
2. TIME blinkt und der Wert kann mit den Tasten UP (AUF) oder DOWN (AB) eingestellt werden.
3. Drücken Sie die ENTER (EINGABE)-Taste, um den Wert zu speichern und zum nächsten einzustellenden Parameter zu wechseln.

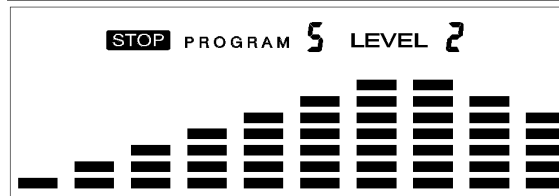
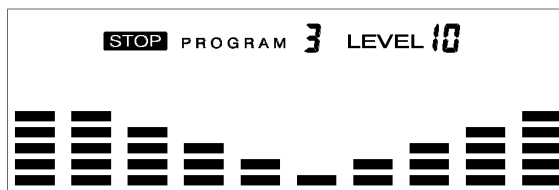
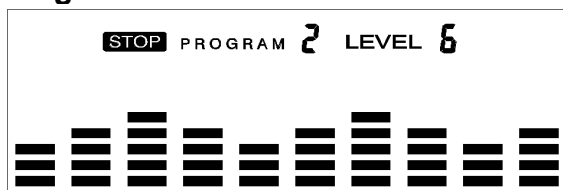
HINWEIS: Wenn Sie die Zielzeit für das Training eingestellt haben, kann der nächste Parameter DIST (DISTANZ) nicht angepasst werden.

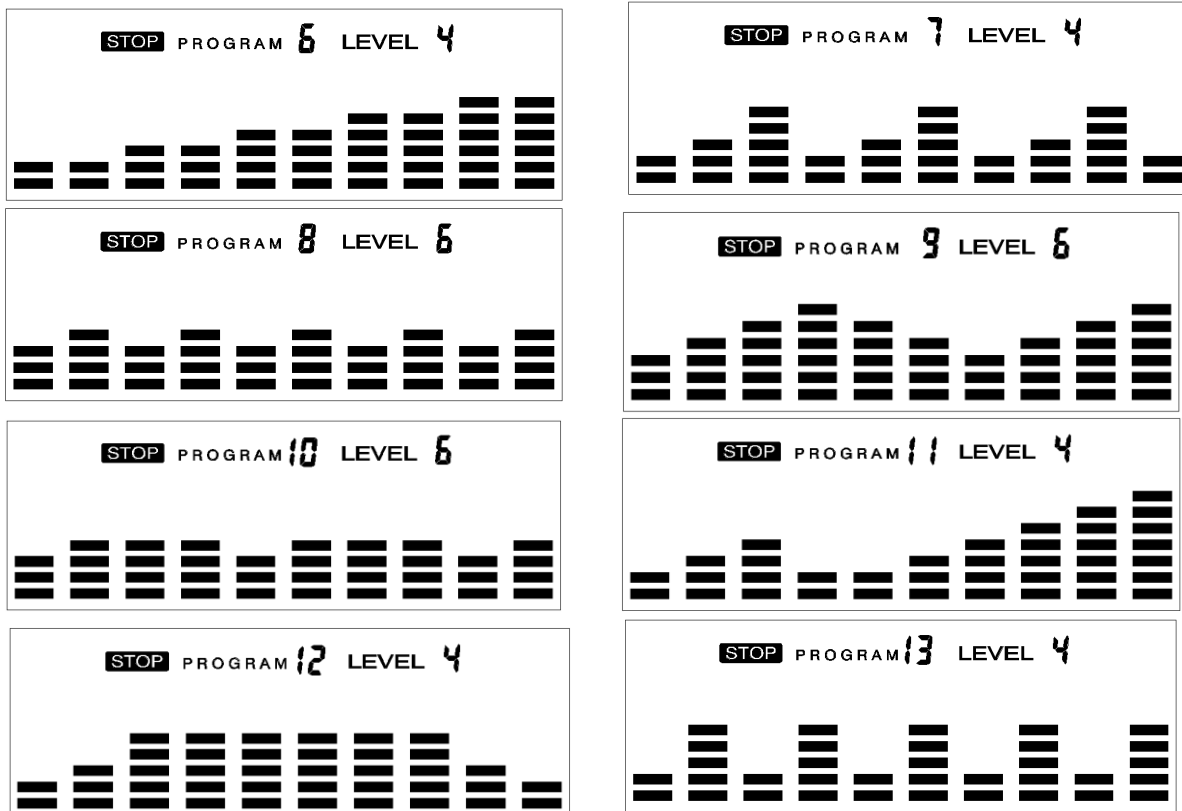
4. Gehen Sie alle gewünschten Parameter durch und drücken Sie die START/STOP-Taste, um das Training zu beginnen.

HINWEIS: Sobald der Trainingsparameter auf Null herunterzählt, ertönt ein Signalton und das Training wird automatisch beendet. Drücken Sie die START/STOP-Taste, um das Training fortzusetzen und den nicht beendeten Trainingsparameter zu erreichen.

VOREINGESTELLTE PROGRAMME (P2~P13)

Programm-Profil





Es gibt 12 voreingestellte Programme, die sofort einsatzbereit sind. Alle Programmprofile haben 16 Widerstandsstufen.

EINSTELLUNGSPARAMETER FÜR VOREINGESTELLTE PROGRAMME

1. Wählen Sie eines der **Voreingestellten Programme** mit der Taste UP (AUF) oder DOWN (AB) aus und drücken Sie dann die Taste ENTER (EINGABE). TIME blinkt und der Wert kann mit der UP (AUF) oder DOWN (AB)-Taste eingestellt werden.
2. Drücken Sie die ENTER (EINGABE)-Taste, um den Wert zu speichern und zum nächsten einzustellenden Parameter zu gelangen. Gehen Sie alle gewünschten Parameter durch und drücken Sie die START/STOP-Taste, um das Training zu beginnen.

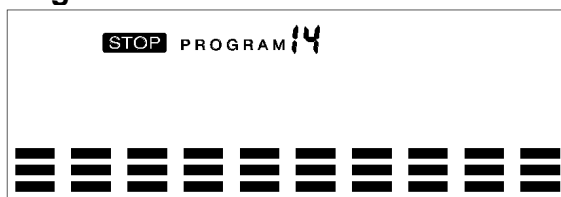
TRAINING IN EINEM BELIEBIGEN VOREINGESTELLTEN PROGRAMM

Sie können den Widerstandsgrad einstellen, indem Sie während des Trainings die UP (AUF) oder DOWN (AB)-Taste drücken.

HINWEIS: Wenn Sie die Zielzeit für das Training eingestellt haben, kann der nächste Parameter DIST (DISTANZ) nicht angepasst werden. Sobald der Trainingsparameter auf Null herunterzählt, ertönt ein Signalton und das Training wird automatisch beendet. Drücken Sie die START/STOP-Taste, um mit dem nicht beendeten Parameter fortzufahren.

WATTSTEUERUNGSPROGRAMM (P14)

Programm-Profil



EINSTELLUNG DER PARAMETER FÜR DAS WATTSTEUERUNGSPROGRAMM

1. Wählen Sie das **Wattsteuerungsprogramm (P14)** mit der Taste UP (AUF) oder DOWN (AB) und drücken Sie dann die Taste ENTER (EINGABE).
2. TIME blinkt und der Wert kann mit den Tasten UP (AUF) oder DOWN (AB) eingestellt werden.
3. Drücken Sie die Taste ENTER (EINGABE), um den Wert zu speichern und zum nächsten einzustellenden Parameter zu wechseln.

HINWEIS: Wenn Sie die Zielzeit für das Training eingestellt haben, kann der nächste Parameter DIST (Distanz) nicht angepasst werden.

- Gehen Sie alle gewünschten Parameter durch und drücken Sie die START/STOP-Taste, um das Training zu starten.

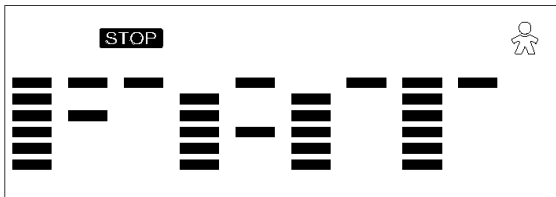
HINWEIS: Sobald die Trainingsparameter auf Null heruntergezählt sind, ertönt ein Signalton und das Training wird automatisch beendet.

- Drücken Sie die START/STOP-Taste, um das Training fortzusetzen und den noch nicht beendeten Trainingsparameter zu erreichen.

Das Messgerät passt die Widerstandslast automatisch in Abhängigkeit von der Geschwindigkeit an, um einen konstanten Wattwert zu erhalten. Mit der UP (AUF) oder DOWN (AB)-Taste können Sie den Wattwert während des Trainings anpassen.

KÖRPERFETTPROGRAMM (P15)

Programm-Profil



EINSTELLUNG DER DATEN FÜR KÖRPERFETT

Wählen Sie das **Körperfettprogramm (P15)** mit der Taste UP (AUF) oder DOWN (AB) und drücken Sie dann die Taste ENTER (EINGABE). "MALE" blinkt, so dass das Geschlecht mit den Tasten UP (AUF) oder DOWN (AB) eingestellt werden kann. Drücken Sie die ENTER (EINGABE)-Taste, um das Geschlecht zu speichern und zu den nächsten Daten zu gelangen.

Die Angabe "5'8 (inches)" für die Größe blinkt, so dass die Größe mit den Tasten UP (AUF) oder DOWN (AB) eingestellt werden kann. Drücken Sie die ENTER (EINGABE)-Taste, um den Wert zu speichern und zu den nächsten Daten zu gelangen.

"154 (lbs)" für das Gewicht blinkt, so dass das Gewicht mit den Tasten UP (AUF) oder DOWN (AB) eingestellt werden kann. Drücken Sie die ENTER (EINGABE)-Taste, um den Wert zu speichern und zu den nächsten Daten zu gelangen.

"30" für Alter blinkt, so dass das Alter mit den Tasten UP (AUF) oder DOWN (AB) eingestellt werden kann. Drücken Sie die ENTER (EINGABE)-Taste, um den Wert zu speichern.

Drücken Sie die START/STOP-Taste, um die Messung zu starten. Bitte denken Sie auch daran, die Handpulssensoren zu erfassen. Nach 15 Sekunden zeigt das Display Körperfettanteil, BMR, BMI und KÖRPERTYP an.

KÖRPERTYPEN:

Es gibt 9 Körpertypen, die nach dem errechneten FETTanteil unterteilt sind.

Körpertyp	FETT%	Körpertyp	FETT%	Körpertyp	FETT%
Typ 1	5% - 9%	Typ 4	20% - 24%	Typ 7	35% - 39%
Typ 2	10% - 14%	Typ 5	25% - 29%	Typ 8	40% - 44%
Typ 3	15% - 19%	Typ 6	30% - 34%	Typ 9	45% - 50%

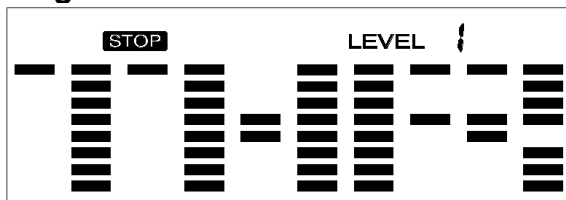
BMR: Grundumsatz-Verhältnis

BMI: Körpermassendex

Drücken Sie die Taste START/STOP, um zur Hauptanzeige zurückzukehren.

ZIELHERZFREQUENZPROGRAMM (P16)

Programm-Profil



EINSTELLUNG DER PARAMETER FÜR DAS HERZFREQUENZ-ZIELPROGRAMM

1. Wählen Sie mit der Taste UP (AUF) oder DOWN (AB) die Option **Zielherzfrequenzprogramm (P16)** und drücken Sie dann die Taste ENTER (EINGABE).
2. TIME blinkt. Der Wert kann mit den Tasten UP (AUF) oder DOWN (AB) eingestellt werden.
3. Drücken Sie die ENTER (EINGABE)-Taste, um den Wert zu speichern und zum nächsten einzustellenden Parameter zu gelangen.

HINWEIS: Wenn Sie die Zielzeit für das Training eingestellt haben, kann der nächste Parameter DIST (DISTANZ) nicht angepasst werden.

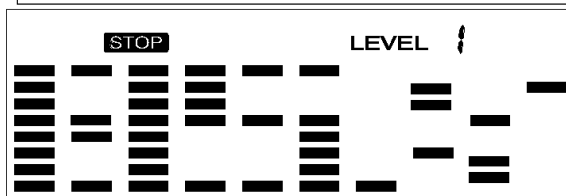
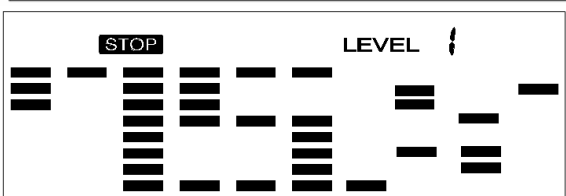
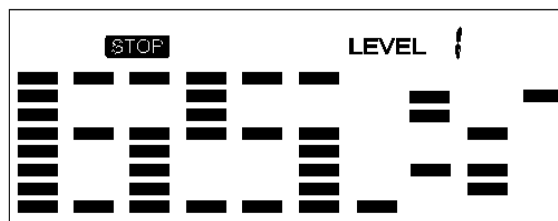
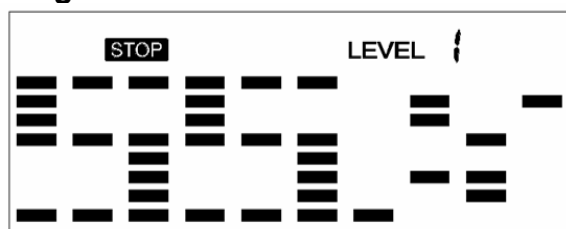
4. Gehen Sie alle gewünschten Parameter durch und drücken Sie die Taste START/STOP, um das Training zu starten.

HINWEIS: Wenn die Herzfrequenz über der eingestellten TARGET HR.

(ZIELHERZFREQUENZ) liegt, blinkt der Pulswert, um den Benutzer daran zu erinnern.

HERZFREQUENZKONTROLLPROGRAMM (P17-P20)

Programm-Profil



Es gibt 4 Auswahlmöglichkeiten für den Zielpuls (HR):

HRC - 55% ZEIL HR= 55% of (220-AGE)

HRC - 65% ZEIL HR= 65% of (220-AGE)

HRC - 75% ZEIL HR= 75% of (220-AGE)

HRC - 85% ZEIL HR= 85% of (220-AGE)

EINSTELLUNG DER PARAMETER FÜR DIE HERZFREQUENZKONTROLLE

1. Wählen Sie mit der UP (AUF) oder DOWN (AB)-Taste eines der **Herzfrequenzkontrollprogramme** aus und drücken Sie dann die ENTER (EINGABE)-Taste.
2. TIME blinkt. Der Wert kann mit der UP (AUF) oder DOWN (AB)-Taste eingestellt werden.
3. Drücken Sie die ENTER (EINGABE)-Taste, um den Wert zu speichern und zum nächsten einzustellenden Parameter zu gelangen.

HINWEIS: Wenn Sie die Zielzeit für das Training eingestellt haben, kann der nächste Parameter DIST (DISTANZ) nicht eingestellt werden.

4. Gehen Sie alle gewünschten Parameter durch und drücken Sie die Taste START/STOP, um das Training zu starten.

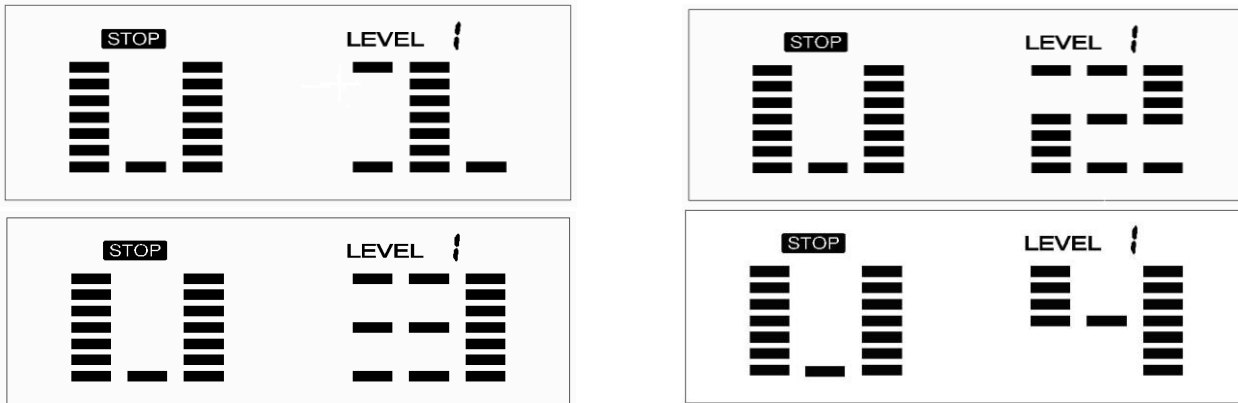
HINWEIS: Wenn die Herzfrequenz über oder unter (± 5) der ZIEL-HF liegt, passt das Messgerät die Widerstandslast automatisch an. Es prüft alle 20 Sekunden, ob sich die Widerstandslast um 1 Stufe erhöht oder verringert (HINWEIS: Jede Widerstandslast entspricht 2 Belastungsstufen).

Wenn einer der Trainingsparameter auf Null herunterzählt, ertönt ein Signalton und das

Training wird automatisch beendet. Drücken Sie die START/STOP-Taste, um das Training fortzusetzen und den nicht beendeten Trainingsparameter zu erreichen.

BENUTZERPROGRAMM (P21-P24)

Programm-Profil



Mit den 4 Benutzerprogrammen kann der Benutzer sein eigenes Programm einstellen, das sofort verwendet werden kann.

EINSTELLUNG DER PARAMETER FÜR DAS BENUTZERPROGRAMM

1. Wählen Sie das **Benutzerprogramm** mit der Taste UP (AUF) oder DOWN (AB) und drücken Sie dann die Taste ENTER (EINGABE).
2. TIME blinkt und der Wert kann mit den Tasten UP (AUF) oder DOWN (AB) eingestellt werden.
3. Drücken Sie die ENTER (EINGABE)-Taste, um die Werte zu speichern und zum nächsten einzustellenden Parameter zu gelangen.

HINWEIS: Wenn Sie die Zielzeit für das Training eingestellt haben, kann der nächste Parameter DIST (Distanz) nicht angepasst werden.

4. Fahren Sie mit allen gewünschten Parametern fort.
5. Wenn Sie die Einstellung der gewünschten Parameter abgeschlossen haben, blinkt Stufe 1. Verwenden Sie die UP (AUF) oder DOWN (AB)-Taste zur Einstellung und drücken Sie dann die ENTER (EINGABE)-Taste, bis Sie fertig sind. (Dies geschieht insgesamt 10 Mal). Drücken Sie die START/STOP-Taste, um das Training zu beginnen.

HINWEIS: Sobald der Trainingsparameter auf Null herunterzählt, ertönt ein Signalton und das Training wird automatisch gestoppt. Drücken Sie die START/STOP-Taste, um das Training fortzusetzen und den nicht beendeten Trainingsparameter zu erreichen.

TECHNISCHE DATEN

Konnektivität: Bluetooth LE

Frequenzbereich: 2400~2483.5 Mhz

Sendeleistung: 0 dBm

APP-VERBINDUNG:

Smart Equipment mit der SunnyFit App verbinden:

1. Scannen, um SunnyFit aus dem App-Store herunterzuladen:



2. Vergewissern Sie sich, dass die Bluetooth Funktion auf Ihrem mobilen Gerät eingeschaltet ist.
3. Wenn Sie die SunnyFit-App zum ersten Mal nutzen, folgen Sie den Anweisungen in der App, um sich für Ihr kostenloses SunnyFit-Konto zu registrieren und anzumelden.
4. Starten Sie eine beliebige Trainingsaktivität, die zu Ihrem Smart-Gerät passt, und folgen Sie dann den Anweisungen auf dem Bildschirm, um Ihr Smart-Gerät zu suchen und mit ihm zu verbinden.
5. Wenn Sie verbunden sind, werden Ihre Statistiken und Rekorde am Ende des Kurses/der Sitzung angezeigt und in Ihrem Kontoprofil gespeichert.

Fehlersuche:

- Wenn Sie Probleme haben, Ihr Smart-Gerät zu verbinden, besuchen Sie www.sunnyfit.com/guide oder scannen Sie den QR-Code unten:



- Wenn Sie zusätzliche Unterstützung benötigen, wenden Sie sich bitte an support@sunnyfit.com.

FEHLERSUCHE

PROBLEM	MÖGLICHE URSACHE	ÜBERPRÜFEN	LÖSUNG
E1-1	Der Motor konnte seinen Startpunkt nicht finden.	Prüfen Sie, ob alle Kabel richtig eingesteckt sind oder ob die Stifte an den Kabeln nicht richtig eingesteckt sind. Oder prüfen Sie, ob der Motor richtig angeschlossen ist.	Stecken Sie die Kabel wieder ein und schalten Sie das Gerät ein. Drücken Sie dann gleichzeitig die Tasten MODE und ENTER, um in den Korrekturmodus zu gelangen und Fehler zu korrigieren.
E1-2	Das Motorsignal hat keine Induktion.	Prüfen Sie, ob alle Kabel richtig eingesteckt sind oder ob die Stifte an den Kabeln nicht richtig eingesteckt sind. Oder prüfen Sie, ob der Motor fest sitzt.	Stecken Sie die Kabel erneut ein oder tauschen Sie einen neuen Motor aus.
E1-3	Der Motor hat den maximalen Widerstandswert überschritten.	Prüfen Sie, ob alle Kabel richtig eingesteckt sind oder ob die Stifte an den Kabeln nicht richtig eingesteckt sind.	Stecken Sie die Kabel wieder ein und schalten Sie das Gerät ein, 1 Sekunde später ziehen Sie die Kabel ab, stecken Sie die Kabel wieder ein und schalten Sie das Gerät wieder ein, warten Sie ca. 6 Sekunden und lassen Sie den Motor zu seinem Startpunkt zurückkehren, dann drücken Sie gleichzeitig die Tasten MODE und ENTER, um in den Korrekturmodus zu gelangen und Fehler zu korrigieren.
E2	Es wurden keine EEPROM-Daten gelesen.		Schließen Sie das Messgerät wieder an.
	Der EEPROM-Datenlesefehler.		Schalten Sie das Messgerät wieder ein, um die Daten erneut abzulesen.
E4	Die Hände werden nicht unmittelbar nach dem Drücken der START/STOP-Taste auf die beiden Griffimpulse gelegt.		Legen Sie die Hände auf die beiden Griffimpulse, unmittelbar nachdem Sie die START/STOP-Taste gedrückt haben.
	Die Körperfettfunktion kann das Signal für den Impuls nicht empfangen.	Prüfen Sie, ob die Impulsdrähte des Griffs richtig angeschlossen sind.	Stecken Sie die Griffimpulsdrähte wieder ein oder tauschen Sie die Griffimpulsdrähte aus.
		Prüfen Sie, ob der Puls funktioniert, wenn Sie sich nicht im Körperfettprogramm befinden.	Wechseln Sie das Messgerät.

HINWEIS: Wenn Sie ein Problem mit Hilfe der obigen Anleitung zur Fehlerbehebung nicht beheben können, wenden Sie sich bitte an den Kundendienst unter support@sunnyhealthfitness.com.

TEILELISTE

Nr.	Beschreibung	Spez.	Anz.
1	Hauptrahmen		1
2	Lenkersäule		1
3	Schienenrahmen		1
4	Stabilisator Vorne		1
5L	Linke Schwinge		1
5R	Rechte Schwinge		1
6	Fester Lenker		1
7	Rollenarm		2
8	Rollenarm-Gelenk		2
9L	Linke Pedalarm		1
9R	Rechte Pedalarm		1
10	Gelenk für Schwingarm		2
11L	Linke Lenker		1
11R	Rechte Lenker		1
12	Schlittenbolzen	M8XL45	4
13	Inbusschraube	M8X50	2
14	Inbusschraube	M8X20 Vollständiges Gewinde	2
15	Inbusschraube	M8X20	16
16	Inbus-Flachkopfschraube	M8X15	4
17	Sechskantschraube	M8X20	2
18	Phillips-Schraube	M6X15	8
19	Sechskantschraube	M10X65	2
20	Sechskantschraube	M6X15	11
21	Pedal-Scharnierbolzen	Φ16X89XL14	2
22	Nylon-Mutter	M12	2
23	Nylon-Mutter	M10	2
24	Nylon-Mutter	M8	3
25	Phillips-Schraube	M5X16	2
26	Phillips-Schneidschraube	ST4.2X18	32
27	Phillips-Schneidschraube	ST3.5X12	4
28	Unterlegscheibe	D5XΦ10	2
29	Unterlegscheibe	D6XΦ19	6
30	Unterlegscheibe	D8XΦ16	13
31	Unterlegscheibe	D8XΦ30	2
32	Unterlegscheibe	D8XΦ38	2
33	Unterlegscheibe	D10XΦ20	2

Nr.	Beschreibung	Spez.	Anz.
34	Unterlegscheibe	D12XΦ24	2
35	Bogenscheibe	Φ20XD8.5XR25	12
36	Federscheibe	D8	20
37	Lager	6900ZZ	4
38-1	Rollenachse	Φ10X47.5	2
39	Legierungsbuchse	Φ18XΦ10X11	4
40-1	Rollen-Abstandhalter	Φ16X11.8	4
41	Flaschenhalter		1
42L	Linke Kurbel		1
42R	Rechte Kurbel		1
43L	Linke Kurbel Scharnierbolzen	Φ16X69	1
43R	Rechte Kurbel Scharnierbolzen	Φ16X69	1
44	Federscheibe	Φ13XB2	2
45L	Linke Kurbel Nylonmutter	B0.5X20	1
45R	Rechte Kurbel Nylonmutter	B0.5X20	1
46	Lange Achse	Φ19.5X332	1
47	Aluminium-Schiene	42X22X635	2
48	Distanzstück für Schwenkstange	Φ16.4XΦ8X33.5	2
49	Einstellbares Pad	M10X30	4
50	Mastabdeckung		1
51a	Abdeckung für Linke Schwenkstange A		1
51b	Abdeckung für Linke Schwenkstange B		1
52	Abdeckung für Rolle		2
53	Aluminium-Schienenabdeckung		4
54L	Linke Pedal		1
54R	Rechte Pedal		1
55	Kappe für Mutter	S13	2
56L	Linke Vordere Endkappe		1
56R	Rechte Vordere Endkappe		1
57L	Linke Hintere Endkappe	97XΦ51X33	2
57R	Rechte Hintere Endkappe	97XΦ51X33	2
58-1	Rad	Φ80X24	2
59	Schaumstoff-Griff	Φ24XΦ30X480	2
60	Schaumstoff-Griff	Φ31XΦ37X600	2
61	Pilzkappe	Φ32X1.5	2
62	Runde Kappe	Φ25X1.5	2

Nr.	Beschreibung	Spez.	Anz.
63	Ovale Kappe		2
64	Kappe für Mutter	S17	4
65	Drahtstecker	Φ12X11XΦ3	1
66	Kunststoffbuchse	Φ38XΦ19.5X26	6
67	Kunststoffbuchse	Φ28XΦ16.4X16	4
68	Messgerät	TZ-4113P	1
68a	Messgerät Draht A		1
69	Sensor-Verlängerungsdraht 1	800 mm	1
70	Sensor-Verlängerungsdraht 2	1200 mm	1
71	Adaptor		1
72	Impulskabel	650 mm	1
73	Wellenunterlegscheibe	D20	5
74	Phillips-Schraube	M5X10	4
75	Impuls-Sensor		2
76	Wellenunterlegscheibe	D17	2
77	Hutmutter	M8	4
78a	Abdeckung für Rechte Schwingenstange A		1
78b	Abdeckung für Rechte Schwingenstange B		1
79	Kunststoffbuchse	Φ32X2.0	8
80	Lager	6001	4
81	Schwungrad-Achse	Φ24X103	1
82	Schwungrad	Φ240X40 4kgs	1
83	Riemen	405 PJ6	1
84	Unterlegscheibe	D6XΦ16X1.5	3
85	Freilaufgrad	Φ39X24	1
86	Gestänge des Losrads		1
87L	Linke Riemenabdeckung		1
87R	Rechte Riemenabdeckung		1
88	Phillips-Schraube	M6X8	2
89	Kurbelabdeckung		2
90	Spanndraht	500 mm	1
91	Flanschnutter	M12X1.25	2
92	Achsfeder Unterlegscheibe	D20	2
93	Lager	6004	2

Nr.	Beschreibung	Spez.	Anz.
94	Zugfeder	Φ1.6XΦ15XL55	2
95	Mittlere Achse	Φ20X210	1
96	Kurbelkappe		2
97	Gelenkbolzen	Φ14XΦ10XM8X20.5	1
98	Zugfeder	Φ18XΦ2.8XL114	1
99	Sechskantmutter	M5	2
100	Sechskantschraube	M5X60	1
101	Riemenscheibe	Φ260	1
102	Federscheibe	D6	9
103	Nylon-Mutter	M6	5
104	Rohrstopfen	Φ25X22	2
105	Motor		1
106	Vierkantkappe	80X40X1.5	1
107	Achsfeder Unterlegscheibe	D12	2
108	Magnettafel-Achse	Φ12X73	1
109	Magnettafel		1
110	Quadratischer Magnet	40X25X10	4
111	Wellenunterlegscheibe	D12	1
112	Phillips-Schraube	M6X10	4
113	Feste Platte		2
114	Phillips-Schraube	M6X12	2
115	Schraubenschlüssel	S17, S19	1
116	Schraubenschlüssel	S10, S13, S14, S15, S17	1
117	Inbus-Schlüssel	S6	1
118	Schraubenschlüssel	S13, S14	1
119	Inbus-Schlüssel	S8	1
120	Lagerhalterung		2
121	Justierschraube	M6X50	1
122	Sechskantmutter	M10	2
123	Sensorhalterung		1
124	DC-Kabel	600 mm	1
125	Sensordraht	300 mm	1
126	Abstandhalter	Φ10.5XΦ14X12.2	2

IMPORTANTI INFORMAZIONI SULLA SICUREZZA

Vi ringraziamo per aver scelto il nostro prodotto. Per garantire la vostra sicurezza e la vostra salute, vi invitiamo a utilizzare questa apparecchiatura in modo corretto. Prima di assemblare e utilizzare l'apparecchiatura, è importante leggere il presente manuale nella sua interezza. Un utilizzo sicuro ed efficace è possibile solo se l'apparecchiatura viene assemblata, sottoposta a manutenzione e utilizzata correttamente. È responsabilità dell'utente assicurarsi che tutti gli utilizzatori dell'apparecchiatura siano informati di tutte le avvertenze e precauzioni.

1. Prima di iniziare qualsiasi programma di esercizio, è necessario consultare il proprio medico per determinare se si è in presenza di condizioni mediche o fisiche che potrebbero mettere a rischio la salute e la sicurezza o impedire l'uso corretto dell'attrezzatura. Il parere del medico è essenziale se si assumono farmaci che influiscono sulla frequenza cardiaca, sulla pressione sanguigna o sul livello di colesterolo.
2. Tenete conto dei segnali del vostro corpo. Un esercizio scorretto o eccessivo può danneggiare la salute. Interrompete l'esercizio se avvertite uno dei seguenti sintomi: dolore, senso di oppressione al petto, battito cardiaco irregolare, mancanza di respiro, stordimento, vertigini o senso di nausea. Se si verifica una di queste condizioni, è necessario consultare il medico prima di continuare il programma di esercizio.
3. Tenere i bambini e gli animali domestici lontani dall'attrezzatura. L'attrezzatura è progettata solo per l'uso da parte di adulti.
4. Utilizzare l'attrezzo su una superficie solida e piana, con una copertura protettiva per il pavimento o il tappeto. Per garantire la sicurezza, l'apparecchiatura deve avere almeno 2 piedi (60 cm) di spazio libero intorno ad essa.
5. Prima di utilizzare l'apparecchiatura, accertarsi che tutti i dadi e i bulloni siano ben serrati. La sicurezza dell'apparecchiatura può essere mantenuta solo se viene esaminata regolarmente per verificare l'assenza di danni e/o usura.
6. Utilizzare sempre l'apparecchiatura come indicato. Se durante l'assemblaggio o il controllo dell'apparecchiatura si riscontrano componenti difettosi o se si sentono rumori insoliti provenire dall'apparecchiatura durante l'esercizio, interrompere immediatamente l'uso dell'apparecchiatura e non utilizzarla finché il problema non è stato risolto.
7. Indossare un abbigliamento adeguato durante l'uso dell'apparecchiatura. Evitare di indossare indumenti larghi che potrebbero impigliarsi nell'apparecchiatura.
8. Non inserire dita o oggetti nelle parti mobili dell'apparecchiatura.
9. La capacità massima di peso di questa unità è di 120 kgs (265 lbs).
10. L'apparecchiatura non è adatta all'uso terapeutico.
11. Per evitare lesioni fisiche e/o danni al prodotto o alle cose, è necessario sollevare e spostare l'apparecchio in modo corretto.
12. Il prodotto è destinato all'uso in condizioni fresche e asciutte. Evitare di immagazzinare il prodotto in aree estremamente fredde, calde o umide, poiché ciò potrebbe causare corrosione e altri problemi correlati.
13. Questa apparecchiatura è progettata solo per l'uso interno e domestico. Non è destinato all'uso commerciale!

IMPORTANTI ISTRUZIONI DI SICUREZZA

Leggere tutte le istruzioni prima di utilizzare (questo apparecchio).

Quando si utilizza un apparecchio elettrico, è necessario seguire sempre le precauzioni di base, tra cui le seguenti:

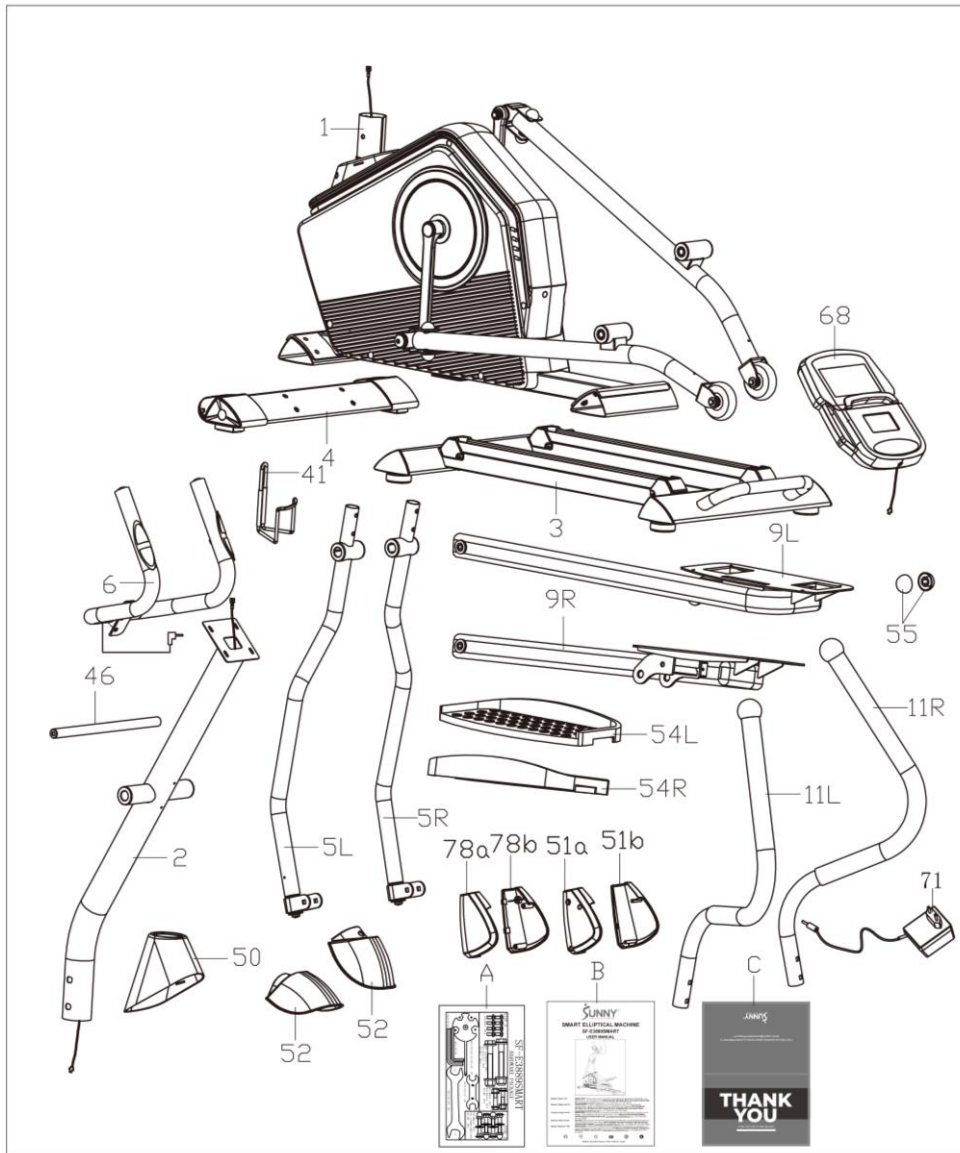
AVVERTENZA - Per ridurre il rischio di ustioni, incendi, scosse elettriche o lesioni alle persone:

1. Questa apparecchiatura non è destinata all'uso da parte di persone con ridotte capacità fisiche, sensoriali o mentali, o con mancanza di esperienza e conoscenza, a meno che non abbiano ricevuto supervisione o istruzioni sull'uso dell'apparecchiatura da parte di una persona responsabile della loro sicurezza. Tenere lontani da questa macchina i bambini di età inferiore ai 13 anni.
2. Utilizzare l'apparecchiatura solo per l'uso previsto, come descritto nel presente manuale. Non utilizzare accessori non raccomandati dal produttore.
3. Non utilizzare mai l'apparecchiatura con le aperture dell'aria bloccate. Mantenere le aperture dell'aria libere da lanugine, capelli e simili.
4. Non far mai cadere o inserire oggetti nelle aperture.
5. Non utilizzare all'aperto.
6. Non operare in luoghi in cui vengono utilizzati prodotti aerosol (spray) o in cui viene somministrato ossigeno.
7. Non utilizzare mai questa apparecchiatura se il cavo o la spina sono danneggiati, se non funziona correttamente, se è caduta o danneggiata o se è caduta in acqua. Restituire l'apparecchiatura a un centro di assistenza per l'esame e la riparazione.

CONSERVARE QUESTE ISTRUZIONI.

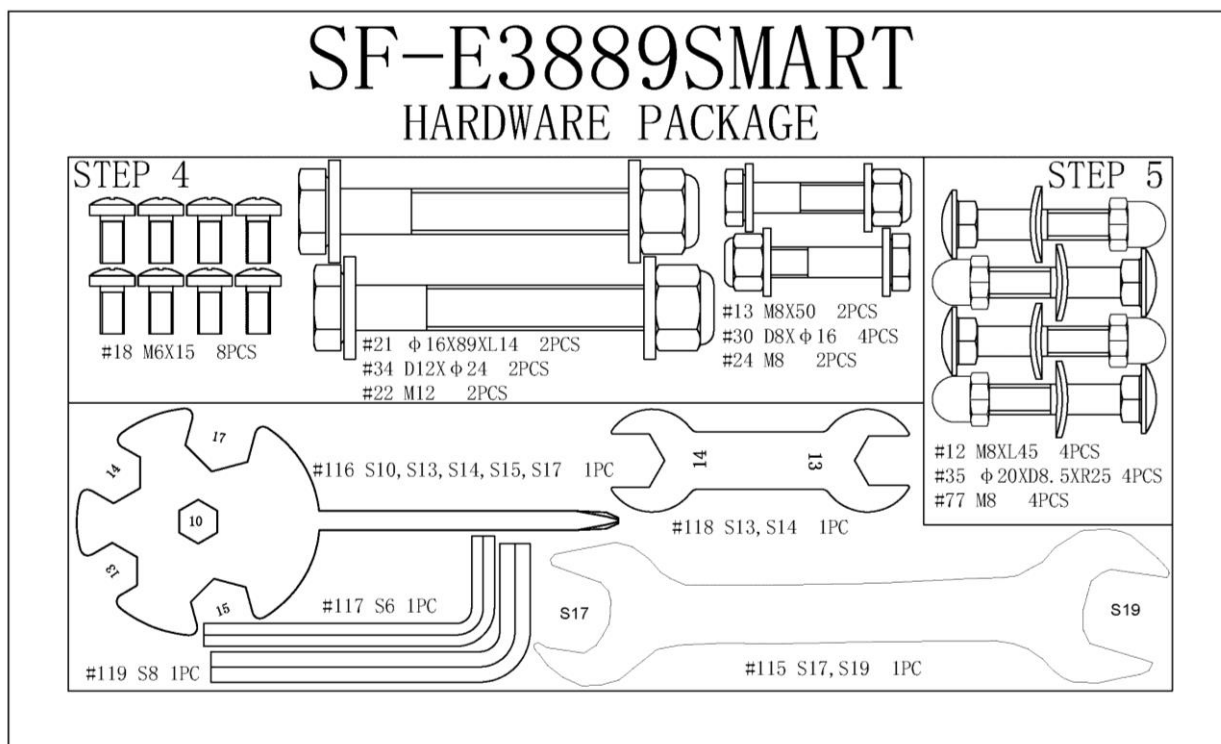
LISTA DI CONTROLLO PRE-ASSEMBLAGGIO

Prima di iniziare l'assemblaggio, accertarsi che tutti i componenti siano inclusi.



n.	Descrizione	Spec.	Qtà.	n.	Descrizione	Spec.	Qtà.
1	Telaio Principale		1	51a	Coperchio per Barra Oscillante Sinistra A		1
2	Posto Manubrio		1	51b	Coperchio per Barra Oscillante Sinistra B		1
3	Telaio a Binario		1	52	Coperchio del Rullo		2
4	Stabilizzatore Anteriore		1	54L	Pedale Sinistra		1
5L	Barra Oscillante Sinistra		1	54R	Pedale Destra		1
5R	Barra Oscillante Destra		1	55	Cappuccio del Dado	S13	2
6	Manubrio Fisso		1	68	Misuratore	TZ-4113P	1
9L	Braccio del Pedale Sinistra		1	71	Adattatore		1
9R	Braccio del Pedale Destra		1	78a	Coperchio per Barra Oscillante Destra A		1
11L	Manubrio Sinistra		1	78b	Coperchio per Barra Oscillante Destra B		1
11R	Manubrio Destra		1	A	Pacchetto Hardware		1
41	Portabottiglie		1	B	Manuale		1
46	Asse Lungo	Φ19.5X332	1	C	Biglietto di Ringraziamento		1
50	Copertura del Montante		1				

PACCHETTO HARDWARE



Ordinazione di parti di ricambio (solo per clienti statunitensi e canadesi)

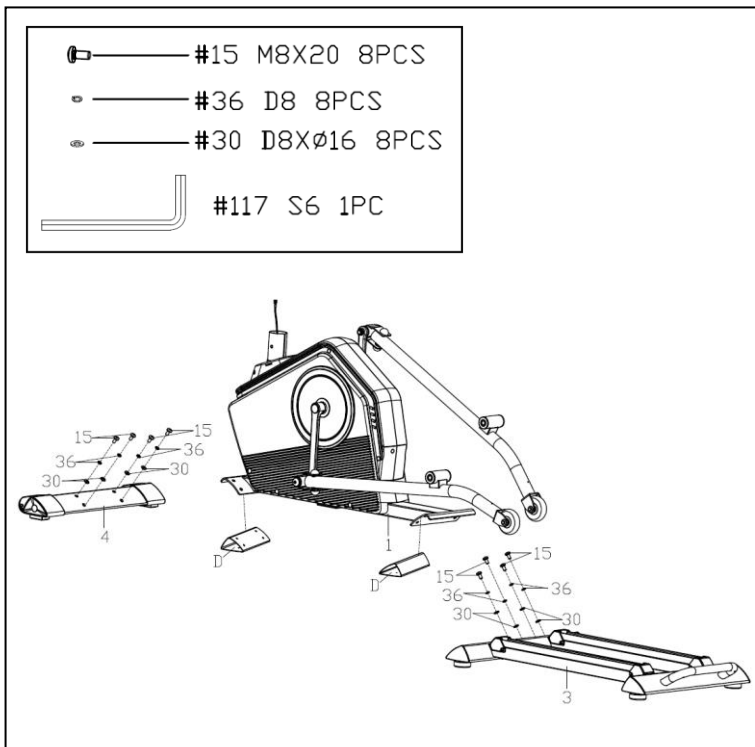
Si prega di fornire le seguenti informazioni per consentirci di identificare con precisione i pezzi di ricambio necessari:

- ✓ Il numero del modello (riportato sulla copertina del manuale)
- ✓ Il nome del prodotto (riportato sulla copertina del manuale)
- ✓ Il numero di parte che si trova nello "SCHEMA ESPLICITO" (pagine 109~110) e nell "ELENCO PARTI" (pagine 107~108).

Contattare support@sunnyhealthfitness.com o 1-877-90SUNNY (877-907-8669).

ISTRUZIONI DI MONTAGGIO

Teniamo molto alla vostra esperienza con i prodotti Sunny Health and Fitness. Per assistenza sui ricambi o per la risoluzione dei problemi, contattateci all'indirizzo support@sunnyhealthfitness.com o al numero 1-877-90SUNNY (877-907-8669).



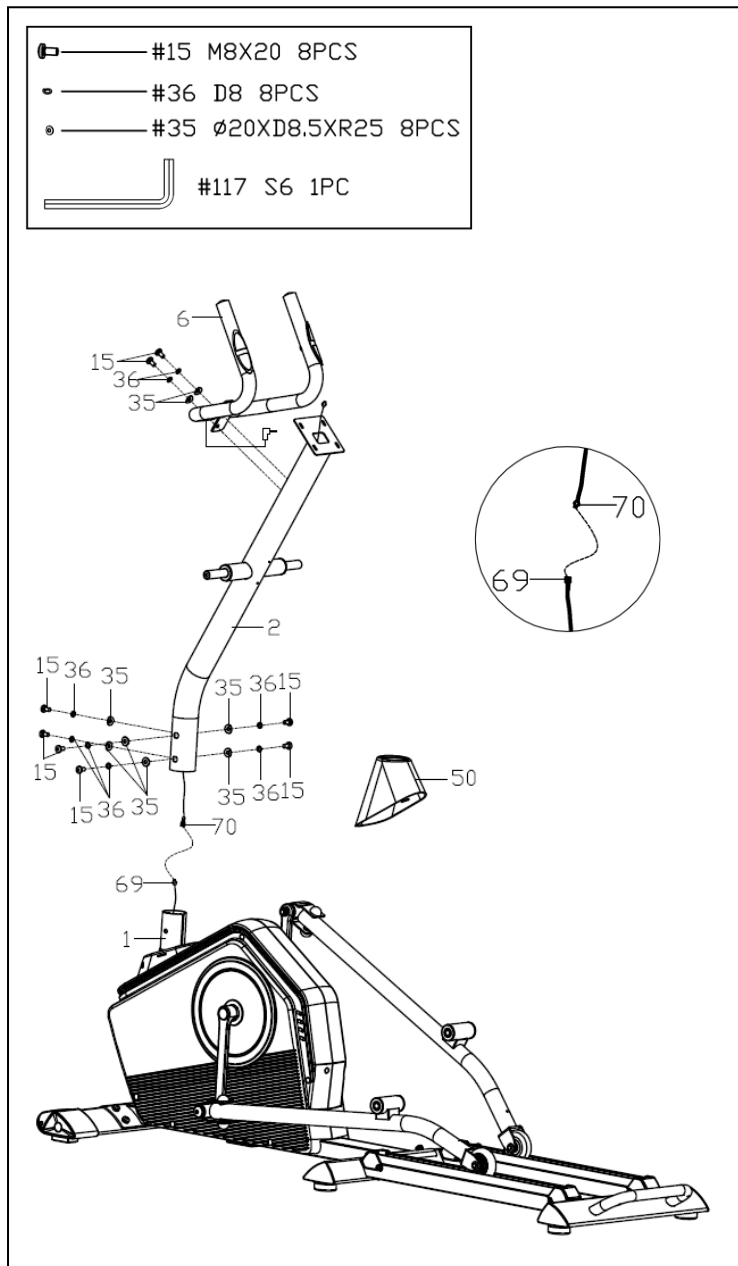
FASE 1:

Rimuovere i 2 **Tubi di Spedizione (n. D)**, 8 **Bulloni a Brugola (n. 15)**, 8 **Rondelle Piatte (n. 30)** e 8 **Rondelle Elastica (n. 36)** dal **Telaio Principale (n. 1)** con la **Chiave a Brugola (n. 117)**.

Fissare lo **Stabilizzatore Anteriore (n. 4)** e il **Telaio a Binario (n. 3)** sul **Telaio Principale (n. 1)** utilizzando 8 **Bulloni a Brugola (n. 15)**, 8 **Rondelle Piatte (n. 30)** e 8 **Rondelle Elastica (n. 36)** che sono stati rimossi. Serrare e fissare con la **Chiave a Brugola (n. 117)**.

NOTA: è possibile gettare i 2 **Tubi di Spedizione (n. D)** o conservarli per imballare nuovamente l'articolo in futuro.

Teniamo molto alla vostra esperienza con i prodotti Sunny Health and Fitness. Per assistenza sui ricambi o per la risoluzione dei problemi, contattateci all'indirizzo support@sunnyhealthfitness.com o al numero 1-877-90SUNNY (877-907-8669).



FASE 2:

Rimuovere 6 **Bulloni a Brugola (n. 15)**, 6 **Rondelle Elastica (n. 36)** e 6 **Rondelle ad Arco (n. 35)** dal **Telaio Principale (n. 1)** con la **Chiave a Brugola (n. 117)**.

Far scorrere il **Copertura del Montante (n. 50)** sul **Posto Manubrio (n. 2)**.

Collegare il **Filo di Prolunga del Sensore 2 (n. 70)** con il **Filo di Prolunga del Sensore 1 (n. 69)**.

NOTA: per evitare di danneggiare i fili, inserirli nel **Posto Manubrio (n. 2)** prima di fissare il **Posto Manubrio (n. 2)** al **Telaio Principale (n. 1)**.

Inserire il **Posto Manubrio (n. 2)** sul montante del **Telaio Principale (n. 1)**, fissarlo in posizione con 6 **Bulloni a Brugola (n. 15)**, 6 **Rondelle Elastica (n. 36)** e 6 **Rondelle ad Arco (n. 35)** che sono state rimosse. Serrare e fissare con la **Chiave a Brugola (n. 117)**.

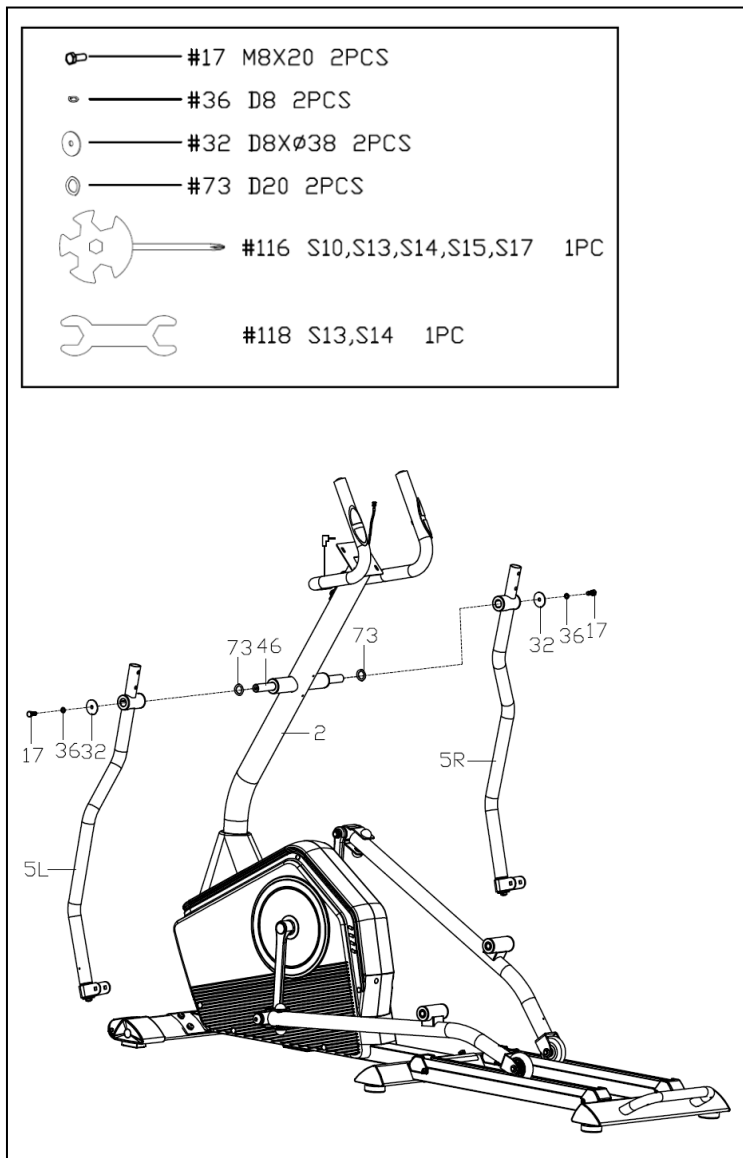
NOTA: Assicurarsi di fissare il **Posto Manubrio (n. 2)** sul montante del **Telaio Principale (n. 1)** in modo diritto.

Far scorrere la **Copertura del Montante (n. 50)** e inserirla in posizione.

Rimuovere i 2 **Bulloni a Brugola (n. 15)**, le 2 **Rondelle Elastica (n. 36)** e le 2 **Rondelle ad Arco (n. 35)** dal **Posto Manubrio (n. 2)** con la **Chiave a Brugola (n. 117)**.

Fissare il **Manubrio Fisso (n. 6)** al **Posto Manubrio (n. 2)**. Fissarlo con 2 **Bulloni a Brugola (n. 15)**, 2 **Rondelle Elastica (n. 36)** e 2 **Rondelle ad Arco (n. 35)** rimosse con la **Chiave a Brugola (n. 117)**.

Teniamo molto alla vostra esperienza con i prodotti Sunny Health and Fitness. Per assistenza sui ricambi o per la risoluzione dei problemi, contattateci all'indirizzo support@sunnyhealthfitness.com o al numero 1-877-90SUNNY (877-907-8669).



FASE 3:

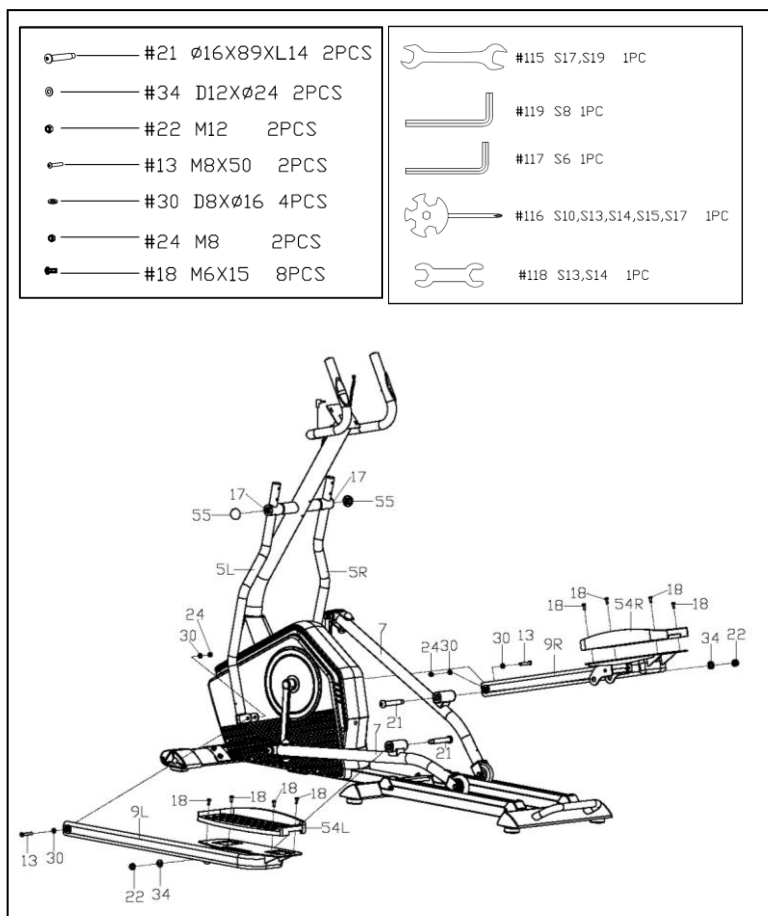
Rimuovere 2 **Bulloni Esagonali (n. 17)**, 2 **Rondelle Elastica (n. 36)**, 2 **Rondelle Piatte (n. 32)** e 2 **Rondelle a Onda (n. 73)** dall'**Asse Lungo (n. 46)** con la **Chiave Inglese (n. 116)** e la **Chiave Inglese (n. 118)**.

Inserire l'**Asse Lungo (n. 46)** nel **Posto Manubrio (n. 2)**, quindi inserire le 2 **Rondelle a Onda (n. 73)** rimosse su entrambi i lati dell'**Asse Lungo (n. 46)**.

Fissare le **Barre Oscillanti Sinistra & Destra (n. 5L & n. 5R)** a entrambi i lati dell'**Asse Lungo (n. 46)** utilizzando 2 **Rondelle Piatte (n. 32)**, 2 **Rondelle Elastica (n. 36)** e 2 **Bulloni Esagonali (n. 17)** rimossi. Serrare con la **Chiave Inglese (n. 116)** e la **Chiave Inglese (n. 118)**.

NOTA: non serrare i **Bulloni Esagonali (n. 17)** durante questa fase.

Teniamo molto alla vostra esperienza con i prodotti Sunny Health and Fitness. Per assistenza sui ricambi o per la risoluzione dei problemi, contattateci all'indirizzo support@sunnyhealthfitness.com o al numero 1-877-90SUNNY (877-907-8669).



FASE 4:

Fissare i **Bracci del Pedali Sinistra & Destra (n. 9L & n. 9R)** ai 2 **Bracci a Rulli (n. 7)** con 2 **Bulloni della Cerniera del Pedale (n. 21)**, quindi applicare 2 **Rondelle Piatte (n. 34)** e 2 **Dadi di Nylon (n. 22)** all'estremità dei 2 **Bulloni della Cerniera del Pedale (n. 21)** con la **Chiave a Brugola (n. 119)** e la **Chiave Inglese (n. 115)**.

NOTA: non serrare i **Bulloni della Cerniera del Pedale (n. 21)** durante questa fase.

Fissare i **Bracci del Pedali Sinistra & Destra (n. 9L & n. 9R)** alle **Barre Oscillanti Sinistra & Destra (n. 5L & n. 5R)** rispettivamente con 2 **Bulloni a Brugola (n. 13)** e 2 **Rondelle Piatte (n. 30)**, quindi applicare 2 **Rondelle Piatte (n. 30)** e 2 **Dadi in Nylon (n. 24)** con la **Chiave a Brugola (n. 117)** e la **Chiave Inglese (n. 118)**.

NOTA: non serrare i **Bulloni a Brugola (n. 13)** durante questa fase.

Fissare i **Pedali Sinistra & Destra (n. 54L & n. 54R)** ai **Bracci del Pedali Sinistra & Destra (n. 9L & n. 9R)** utilizzando 8 **Viti Phillips (n. 18)** e la **Chiave Inglese (n. 116)**.

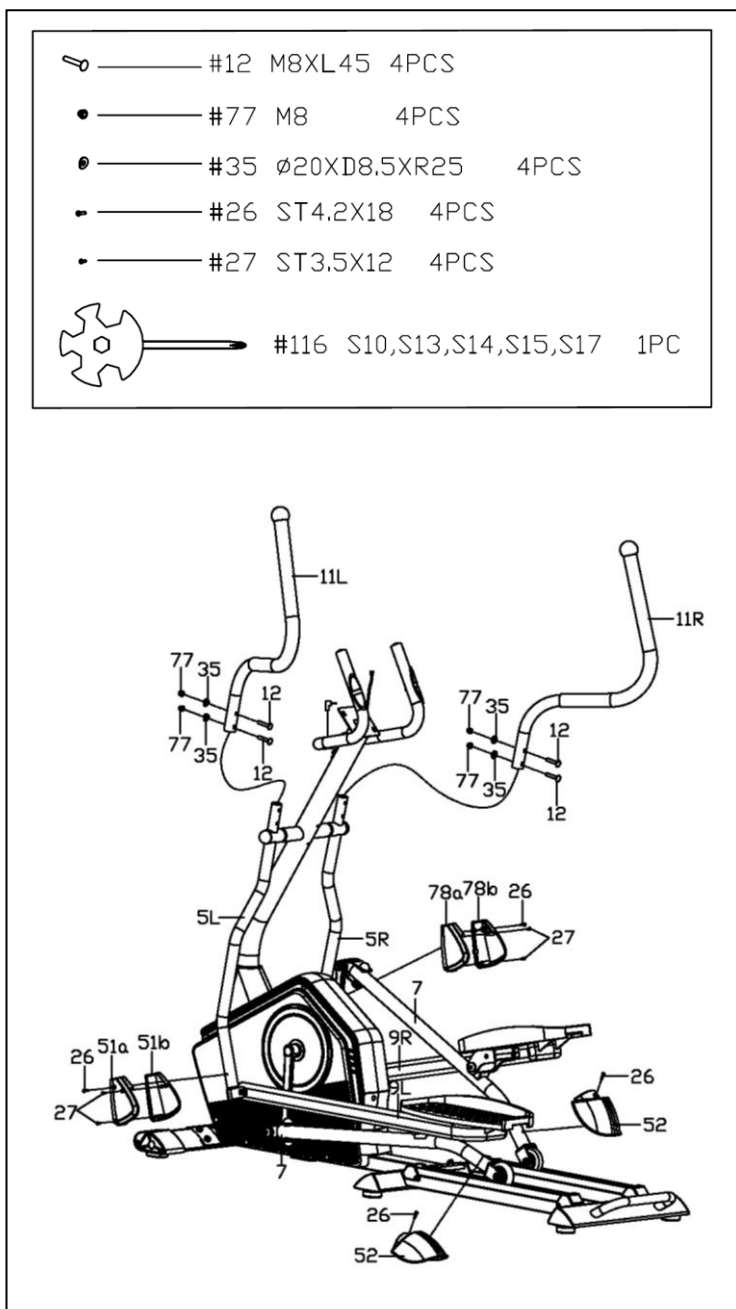
NOTA: entrambi i **Pedali Sinistra & Destra (n. 54L & n. 54R)** sono etichettati: L per SINISTRA e R per DESTRA.

Ora è possibile serrare i **Bulloni Esagonali (n. 17)** della **FASE 3** con la **Chiave Inglese (n. 116)** e la **Chiave Inglese (n. 118)**.

Coprire con i 2 **Cappucci dei Dadi (n. 55)**. Quindi serrare e fissare i 2 **Bulloni della Cerniera del Pedale (n. 21)** e i 2 **Dadi in Nylon (n. 22)** con la **Chiave a Brugola (n. 119)** e la **Chiave Inglese (n. 115)**.

NOTA: Assicurarsi che tutti i bulloni e le rondelle siano in posizione e ora è possibile serrare i **Bulloni a Brugola (n. 13)** con la **Chiave a Brugola (n. 117)** e la **Chiave Inglese (n. 118)**.

Teniamo molto alla vostra esperienza con i prodotti Sunny Health and Fitness. Per assistenza sui ricambi o per la risoluzione dei problemi, contattateci all'indirizzo support@sunnyhealthfitness.com o al numero 1-877-90SUNNY (877-907-8669).



FASE 5:

Fissare i **Manubri Sinistra & Destra (n. 11L & n. 11R)** alle **Barre Oscillanti Sinistra & Destra (n. 5L & n. 5R)** rispettivamente con 4 **Bulloni a Carrello (n. 12)**, 4 **Rondelle ad Arco (n. 35)** e 4 **Dadi per Tappo (n. 77)** con la **Chiave Inglese (n. 116)**.

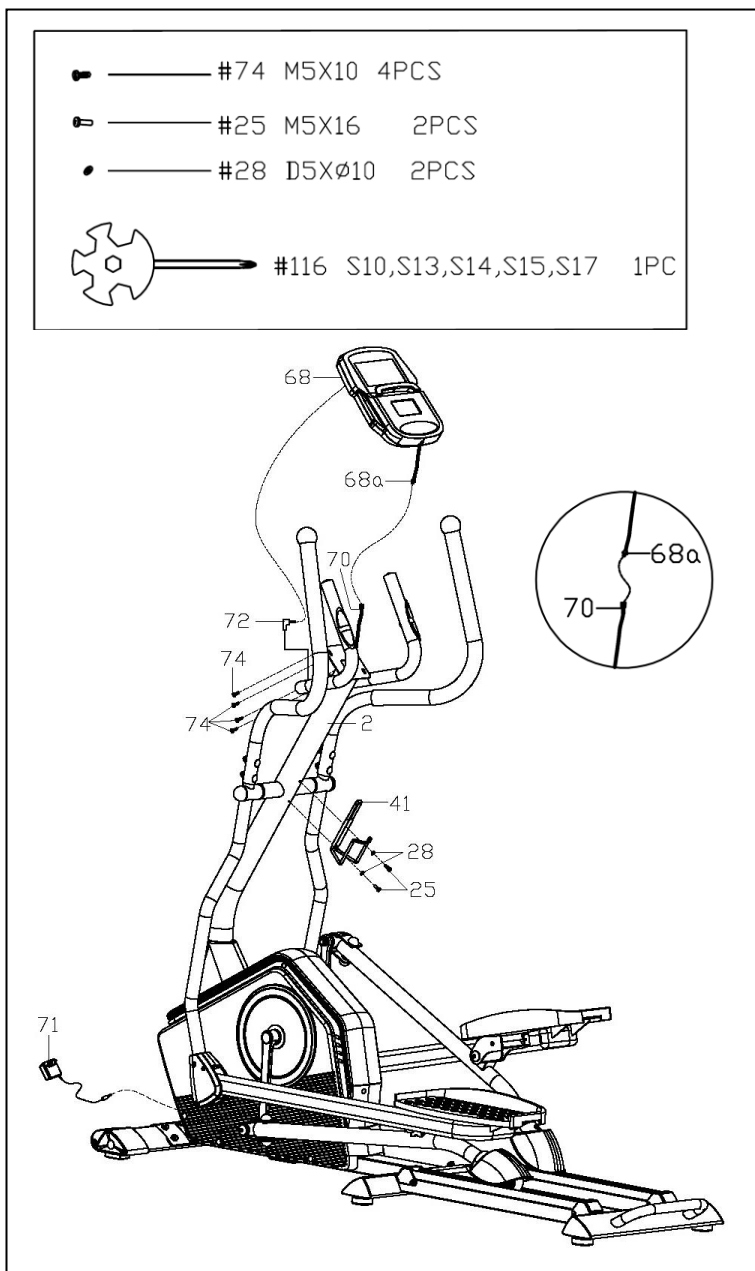
Rimuovere 4 **Viti Autofilettanti Phillips (n. 27)** da **Coperchi per Barra Oscillante Sinistra A & B (n. 51a & n. 51b)** e **Coperchi per Barra Oscillante Destra A & B (n. 78a & n. 78b)** rispettivamente con la **Chiave Inglese (n. 116)**.

Rimuovere le 2 **Viti Autofilettanti Phillips (n. 26)** dalle **Barre Oscillanti Sinistra & Destra (n. 5L & n. 5R)** con la **Chiave Inglese (n. 116)**. Quindi fissare **Coperchi per Barra Oscillante Sinistra A & B (n. 51a & n. 51b)** e 2 **Coperchi per Barra Oscillante Destra A & B (n. 78a & n. 78b)** alle **Barre Oscillanti Sinistra & Destra (n. 5L & n. 5R)** rispettivamente con 4 **Viti Autofilettanti Phillips (n. 27)** e 2 **Viti Autofilettanti Phillips (n. 26)** rimosse. Serrare e fissare con la **Chiave Inglese (n. 116)**.

NOTA: Sia il **Coperchi per Barra Oscillante Sinistra A & B (n. 51a & n. 51b)** che **Coperchi per Barra Oscillante Destra A & B (n. 78a & n. 78b)** sono etichettati: L per SINISTRA e R per DESTRA.

Rimuovere le 2 **Viti Autofilettanti Phillips (n. 26)** dai 2 **Bracci a Rulli (n. 7)** con la **Chiave Inglese (n. 116)**. Fissare quindi i 2 **Coperchi dei Rulli (n. 52)** ai 2 **Bracci a Rulli (n. 7)** rispettivamente con le 2 **Viti Autofilettanti Phillips (n. 26)** rimosse. Serrare e fissare con la **Chiave Inglese (n. 116)**.

Teniamo molto alla vostra esperienza con i prodotti Sunny Health and Fitness. Per assistenza sui ricambi o per la risoluzione dei problemi, contattateci all'indirizzo support@sunnyhealthfitness.com o al numero 1-877-90SUNNY (877-907-8669).



FASE 6:

Rimuovere le 4 **Viti Phillips (n. 74)** dal **Misuratore (n. 68)** con la **Chiave Inglese (n. 116)**.

Collegare il **Filo per Impulsi (n. 72)** alla presa progettata sul retro del **Misuratore (n. 68)**. Collegare quindi il **Filo di Prolunga del Sensore 2 (n. 70)** con il **Filo A del Misuratore (n. 68a)**.

Fissare il **Misuratore (n. 68)** alla staffa del **Posto Manubrio (n. 2)** con le 4 **Viti Phillips (n. 74)** rimosse. Serrare e fissare con la **Chiave Inglese (n. 116)**.

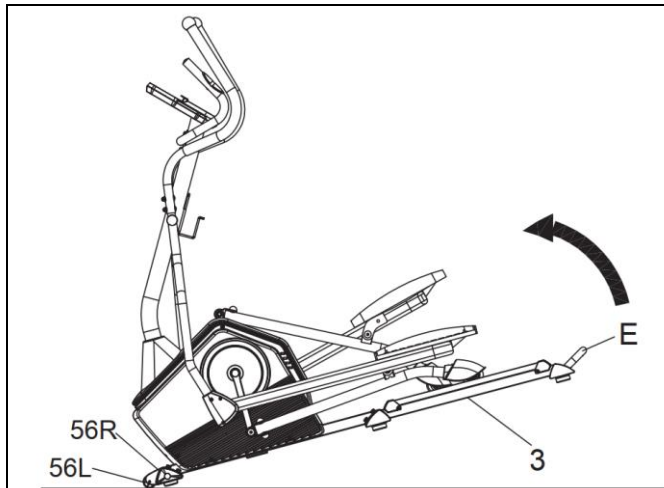
NOTA: per evitare di danneggiare i cavi, inserirli nel **Posto Manubrio (n. 2)** prima di fissare il **Misuratore (n. 68)** sulla staffa.

Rimuovere le 2 **Viti Phillips (n. 25)** e le 2 **Rondelle Piatte (n. 28)** dal **Posto Manubrio (n. 2)** con la **Chiave Inglese (n. 116)**. Fissare quindi il **Portabottiglie (n. 41)** al **Posto Manubrio (n. 2)** con le 2 **Viti Phillips (n. 25)** e le 2 **Rondelle Piatte (n. 28)** rimosse. Serrare e fissare con la **Chiave Inglese (n. 116)**.

Inserire il jack dell'**Adattatore (n. 71)** nell'ingresso dell'adattatore sulla parte anteriore del **Telaio Principale (n. 1)**, quindi collegare l'**Adattatore (n. 71)** a una presa di corrente.

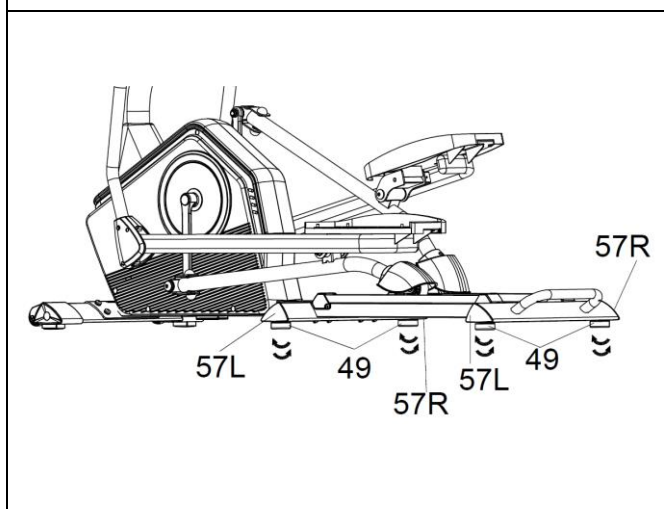
Il montaggio è completo!

GUIDA ALLA REGOLAZIONE



COME SPOSTARE L'ELLITTICA

Le ruote di trasporto si trovano sulle **Tappi Frontale Sinistra & Destra (n. 56L & n. 56R)**. Afferrare il **Manubrio (n. E)** del **Telaio a Binario (n. 3)** e tirare in avanti per sollevare la parte posteriore dell'ellittica dal pavimento. Ora è possibile spostare l'ellittica.



REGOLAZIONE DEL BILANCIAMENTO

Per ottenere una corsa fluida e confortevole, è necessario assicurarsi che l'ellittica sia stabile e fissata. Se si nota che l'ellittica è sbilanciata durante l'uso, è necessario regolare i **Cuscinetti Regolabili (n. 49)** situati sotto i **Tappi Posteriori Sinistra & Destra (n. 57L & n. 57R)**. A tale scopo, è sufficiente ruotare i **Cuscinetti Regolabili (n. 49)** fino a quando l'ellittica non si livella con la superficie del pavimento.

PULIZIA

L'ellittica può essere pulita con un panno morbido, pulito e umido. Non utilizzare abrasivi o solventi sulle parti in plastica. Asciugare il sudore dall'ellittica dopo ogni utilizzo. Fare attenzione a non depositare eccessiva umidità sul pannello del display del misuratore, poiché ciò potrebbe causare rischi elettrici o guasti all'elettronica.

Tenere l'ellittica, in particolare il misuratore, lontano dalla luce diretta del sole per evitare di danneggiare lo schermo.

Controllare ogni settimana il corretto serraggio di tutti i bulloni di montaggio e dei pedali dell'ellittica.

CONSERVAZIONE

Conservare l'ellittica in un ambiente pulito e asciutto, lontano dai bambini.

IMPORTANTI INFORMAZIONI SULLE ELLITTICHE

AVVERTENZA:

Questa ellittica richiede una fonte di alimentazione di **1 amp (100-240V)** per funzionare correttamente. Per la vostra sicurezza e per quella degli altri, verificate che la fonte di alimentazione sia corretta prima di collegare l'apparecchio. Qualsiasi fonte di alimentazione superiore o inferiore a questo livello potrebbe causare danni significativi all'apparecchiatura e all'utente.

ISTRUZIONI PER L'USO

Collegare l'adattatore all'ellittica e alla presa di corrente.

Il misuratore si accende.

Se non c'è attività per 4 minuti quando il Bluetooth non è collegato, il misuratore si spegne. Premere un tasto qualsiasi del misuratore per riaccenderlo.

NOTA: è possibile utilizzare l'ellittica anche quando non è collegata alla presa di corrente. Tuttavia, il misuratore non funziona e non è possibile regolare il livello di resistenza o utilizzare le funzioni.



MISURATORE DI ESERCIZIO

FUNZIONI CHIAVE:

PULSANTE	FUNZIONE
START/STOP (AVVIO/ARRESTO)	Avviare e mettere in pausa gli allenamenti. Avviare la misurazione del grasso corporeo.
DOWN (GIÙ)	Abbassare il livello di resistenza durante l'allenamento. Diminuire il valore del parametro selezionato.
UP (SU)	Aumenta il livello di resistenza durante l'allenamento. Aumentare il valore del parametro selezionato.
ENTER (INGRESSO)	Immettere il valore o la modalità.
RECOVERY (RECUPERO)	Entrare nella funzione di recupero quando il misuratore visualizza il valore della frequenza cardiaca. Visualizzazioni di recupero F1-F6. F1 è una frequenza cardiaca di recupero eccellente. F6 è la frequenza cardiaca di recupero scarsa.
MODE (MODO)	Durante l'allenamento, cambiare il display da RPM a SPEED (VELOCITÀ), da ODO (CONTACHILOMETRI) a DIST (DISTANZA) e da WATT a CAL (CALORIE). Tenere premuto per 3 secondi per azzerare tutti i valori delle funzioni, tranne ODO (CONTACHILOMETRI).

SELEZIONE DELL'ALLENAMENTO:

Dopo aver acceso il misuratore collegando l'adattatore o, se già collegato, premendo un pulsante qualsiasi del misuratore, utilizzare il pulsante UP (SU) o DOWN (GIÙ) per effettuare una selezione. Quindi premere il pulsante ENTER (INGRESSO) per scegliere la modalità desiderata.

Esistono 7 modalità di allenamento di base:

Programma Manuale, Programmi Preimpostati, Programma di Controllo Watt, Programma Grasso Corporeo, Programma Frequenza Cardiaca Target, Programmi di Controllo della Frequenza Cardiaca e Programmi Utente.

FUNZIONI:

SPEED (VELOCITÀ): visualizza la velocità di allenamento corrente. La velocità massima è di 99,9 MPH.

RPM: Visualizza l'attuale rotazione al minuto.

TIME (TEMPO): Accumula il tempo di allenamento da 0:00 a 99:59. Gli utenti possono preimpostare il tempo desiderato.

DIST (DISTANZA): Accumula la distanza dell'allenamento da 0,00 a 999,9 miglia. L'utente può impostare la distanza target che desidera raggiungere.

ODO (CONTACHILOMETRI): Visualizza la distanza totale accumulata da 0 a 9999 miglia.

CAL (CALORIE): Accumula le calorie bruciate da 0 a 9999. Gli utenti possono preimpostare l'obiettivo di calorie da bruciare.

WATT: visualizza i watt attuali.

HEART RATE (FREQUENZA CARDIACA): Visualizza la frequenza cardiaca corrente in battiti al minuto.

TARGET HR. (FREQUENZA CARDIACA TARGET): Gli utenti possono preimpostare la propria frequenza cardiaca target.

PROGRAMMA: Sono disponibili 24 programmi diversi da scegliere per l'allenamento.

LIVELLO: Il programma presenta 10 colonne di barre e 8 barre in ogni colonna. Ogni colonna rappresenta un allenamento di 1 minuto e ogni barra rappresenta 2 livelli di resistenza.

PARAMETRI DI ALLENAMENTO:

TIME (TEMPO) / DIST (DISTANZA) / CAL (CALORIE) / AGE (ETÀ) / WATT / TARGET HR. (FREQUENZA CARDIACA TARGET)

IMPOSTAZIONE DEI PARAMETRI DI ALLENAMENTO

Dopo aver selezionato la modalità di allenamento desiderata: Programma Manuale, Programmi Preimpostati, Programma di Controllo Watt, Programma Grasso Corporeo, Programma Frequenza Cardiaca Target, Programmi di Controllo della Frequenza Cardiaca e Programmi Utente. È possibile preimpostare diversi parametri di allenamento per ottenere i risultati desiderati.

NOTA: ALCUNI PARAMETRI NON SONO REGOLABILI IN DETERMINATI PROGRAMMI. IL TIME (TEMPO) E LA DIST (DISTANZA) NON POSSONO ESSERE IMPOSTATI CONTEMPORANEAMENTE.

Una volta selezionato il programma, premere il pulsante ENTER (INGRESSO) e il tempo lampeggerà.

Con il pulsante UP (SU) o DOWN (GIÙ) si può selezionare il valore di tempo desiderato.

Premere il tasto ENTER (INGRESSO) per inserire i valori. Il messaggio lampeggiante passa al parametro successivo. Continuare a utilizzare i pulsanti UP (SU) o DOWN (GIÙ). Premere il pulsante START/STOP (AVVIO/ARRESTO) per iniziare l'allenamento.

ULTERIORI INFORMAZIONI SULL'IMPOSTAZIONE DEI PARAMETRI DI ALLENAMENTO

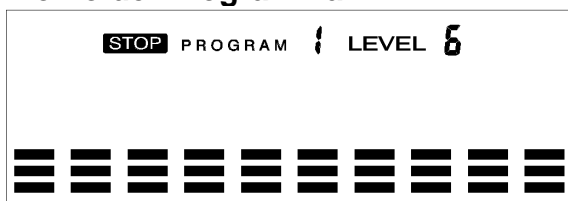
Campo	Impostazione Intervallo	Valore Predefinito	Incremento/Decremento	Descrizione
TIME (TEMPO)	0:00~99:00	0:00	±1:00	1.. Quando il display è impostato su 0:00, il TIME (TEMPO) conta alla rovescia. 2.. Quando l'ora è impostata su 1:00-99:00, il conto alla rovescia viene portato a 0,00.
DIST (DISTANZA)	0.00~999.0	0.00	±1.00	1.. Quando il display è impostato su 0,00, il conteggio della DIST (DISTANZA) aumenta. 2.. Quando la DIST (DISTANZA) è impostata su 1.00~999.0, il conto alla rovescia passa a 0.00.

CAL (CALORIE)	0.00~9995	0.00	±5.00	1.. Quando il display è impostato su 0,00, il conteggio delle CAL (CALORIE) aumenta. 2. Quando CAL (CALORIE) è impostato su 5,00~9995, il conto alla rovescia passa a 0,00.
WATT	50~250	100	±5	L'utente può impostare il valore in watt solo nel programma di controllo dei watt.
AGE (ETÀ)	10~99	30	±1	La FC target si basa sull'età. Quando la frequenza cardiaca supera la FC target, il numero della frequenza cardiaca lampeggia.
TARGET HR. (FREQUENZA A CARDIACA TARGET)	60~220	60	±1	Impostazione dei parametri per la frequenza cardiaca target.

FUNZIONAMENTO DEL PROGRAMMA:

PROGRAMMA MANUALE (P1)

Profilo del Programma



IMPOSTAZIONE DEI PARAMETRI PER IL PROGRAMMA MANUALE

1. Selezionare **Programma Manuale (P1)** con i tasti UP (SU) o DOWN (GIÙ), quindi premere il tasto ENTER (INGRESSO).
2. Il tempo lampeggia e il valore può essere regolato con i tasti UP (SU) o DOWN (GIÙ).
3. Premere il tasto ENTER (INGRESSO) per salvare il valore e passare al parametro successivo da regolare.

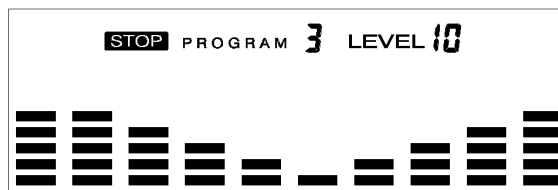
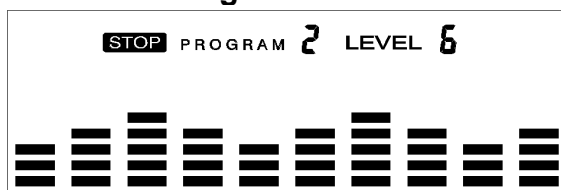
NOTA: se si imposta il tempo target per l'allenamento, non è possibile regolare il parametro successivo DIST (DISTANZA).

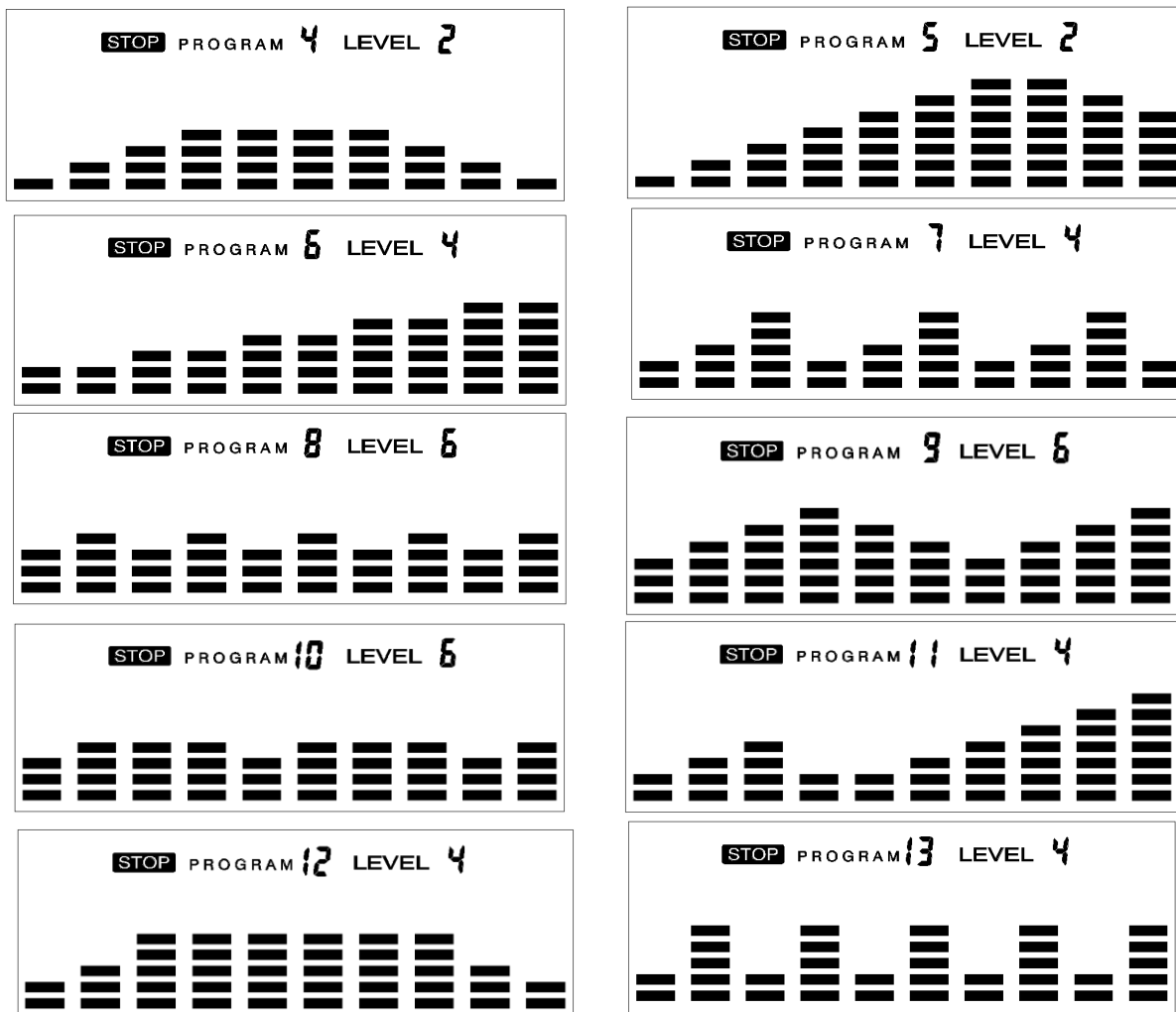
4. Continuare con tutti i parametri desiderati e premere il pulsante START/STOP (AVVIO/ARRESTO) per iniziare l'allenamento.

NOTA: una volta che il parametro dell'allenamento è arrivato a zero, il sistema emette un segnale acustico e interrompe automaticamente l'allenamento. Premere il pulsante START/STOP (AVVIO/ARRESTO) per continuare l'allenamento e raggiungere il parametro di allenamento non ancora terminato.

PROGRAMMI PREIMPOSTATI (P2~P13)

Profilo del Programma





Sono disponibili 12 programmi preimpostati pronti all'uso. Tutti i profili di programma hanno 16 livelli di resistenza.

PARAMETRI DI IMPOSTAZIONE DEI PROGRAMMI PREIMPOSTATI

1. Selezionare uno dei **Programmi Preimpostati** con i tasti UP (SU) o DOWN (GIÙ), quindi premere il tasto ENTER (INGRESSO). Il tempo lampeggia e il valore può essere regolato con i tasti UP (SU) o DOWN (GIÙ).
2. Premere il tasto ENTER (INGRESSO) per salvare il valore e passare al parametro successivo da regolare. Continuare con tutti i parametri desiderati e premere il pulsante START/STOP (AVVIO/ARRESTO) per iniziare l'allenamento.

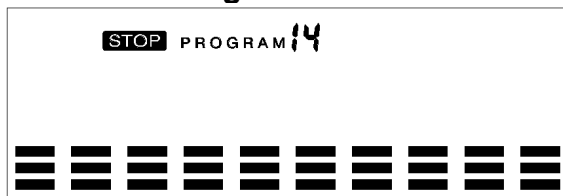
ALLENAMENTO IN QUALSIASI PROGRAMMA PREIMPOSTATO

È possibile regolare il livello di resistenza premendo il pulsante UP (SU) o DOWN (GIÙ) durante l'allenamento.

NOTA: se si imposta il tempo target per l'allenamento, non è possibile regolare il parametro successivo della DIST (Distanza). Una volta che il parametro dell'allenamento è arrivato a zero, il sistema emette un segnale acustico e interrompe automaticamente l'allenamento. Premere il pulsante START/STOP (AVVIO/ARRESTO) per continuare il parametro non completato.

PROGRAMMA DI CONTROLLO WATT (P14)

Profilo del Programma



IMPOSTAZIONE DEI PARAMETRI PER IL PROGRAMMA DI CONTROLLO WATT

1. Selezionare il **Programma di Controllo Watt (P14)** con i tasti UP (SU) o DOWN (GIÙ), quindi premere il tasto ENTER (INGRESSO).
2. Il tempo lampeggia e il valore può essere regolato con il pulsante UP (SU) o DOWN (GIÙ).
3. Premere il tasto ENTER (INGRESSO) per salvare il valore e passare al parametro successivo da regolare.

NOTA: se si imposta il tempo target per l'allenamento, non è possibile regolare il parametro successivo DIST (Distanza).

4. Continuare con tutti i parametri desiderati e premere il pulsante START/STOP (AVVIO/ARRESTO) per avviare l'allenamento.

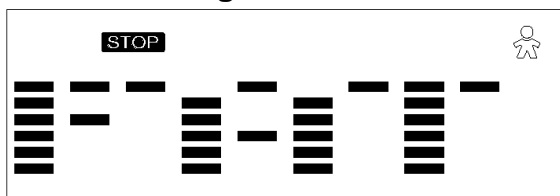
NOTA: una volta che i parametri dell'allenamento sono scesi a zero, il sistema emette un segnale acustico e interrompe automaticamente l'allenamento.

5. Premere il pulsante START/STOP (AVVIO/ARRESTO) per continuare l'allenamento e raggiungere il parametro di allenamento non ancora completato.

Il misuratore regolerà automaticamente il carico di resistenza in base alla velocità per mantenere costante il valore in watt. È possibile utilizzare il pulsante UP (SU) o DOWN (GIÙ) per regolare il valore in watt durante l'allenamento.

PROGRAMMA GRASSO CORPOREO (P15)

Profilo del Programma



IMPOSTAZIONE DEI DATI PER IL GRASSO CORPOREO

Selezionare il programma **Grasso Corporeo (P15)** con il pulsante UP (SU) o DOWN (GIÙ), quindi premere il pulsante ENTER (INGRESSO). "MALE" lampeggia e il genere può essere regolato con il pulsante UP (SU) o DOWN (GIÙ). Premere il tasto ENTER (INGRESSO) per salvare il genere e passare al dato successivo.

L'altezza "5'8 (inches)" lampeggia, quindi è possibile regolare l'altezza con il pulsante UP (SU) o DOWN (GIÙ). Premere il tasto ENTER (INGRESSO) per salvare il valore e passare al dato successivo.

Il peso "154 (lbs)" lampeggia e il peso può essere regolato con il pulsante UP (SU) o DOWN (GIÙ). Premere il tasto ENTER (INGRESSO) per salvare il valore e passare al dato successivo.

"30" di Età lampeggia, per cui l'età può essere regolata con il pulsante UP (SU) o DOWN (GIÙ). Premere il tasto ENTER (INGRESSO) per salvare il valore.

Premere il pulsante START/STOP (AVVIO/ARRESTO) per avviare la misurazione. Ricordarsi di afferrare i sensori del polso della mano. Dopo 15 secondi il display mostrerà la percentuale di grasso corporeo, il BMR, il BMI e il TIPO DI CORPO.

TIPI DI CORPO:

Esistono 9 tipi di corpo suddivisi in base alla percentuale di grasso calcolata.

Tipo di Corpo	GRASSO %	Tipo di Corpo	GRASSO %	Tipo di Corpo	GRASSO %
Tipo 1	5% - 9%	Tipo 4	20% - 24%	Tipo 7	35% - 39%
Tipo 2	10% - 14%	Tipo 5	25% - 29%	Tipo 8	40% - 44%
Tipo 3	15% - 19%	Tipo 6	30% - 34%	Tipo 9	45% - 50%

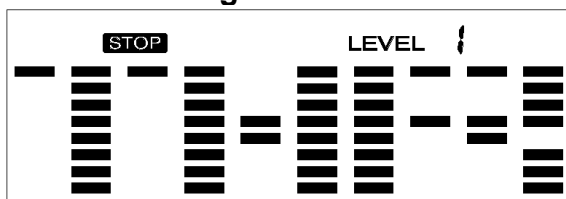
BMR: Rapporto di Metabolismo Basale

BMI: Indice di massa corporea

Premere il pulsante START/STOP (AVVIO/ARRESTO) per tornare alla visualizzazione principale.

PROGRAMMA FREQUENZA CARDIACA TARGET (P16)

Profilo del Programma



IMPOSTAZIONE DEI PARAMETRI PER IL PROGRAMMA DI FREQUENZA CARDIACA TARGET

1. Selezionare la **Programma Frequenza Cardiaca Target (P16)** utilizzando il pulsante UP (SU) o DOWN (GIÙ), quindi premere il pulsante ENTER (INGRESSO).
2. Il tempo lampeggia. Il valore può essere regolato con il pulsante UP (SU) o DOWN (GIÙ).
3. Premere il tasto ENTER (INGRESSO) per salvare il valore e passare al parametro successivo da regolare.

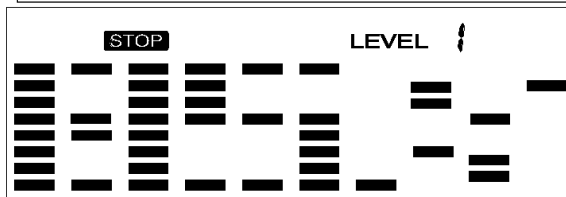
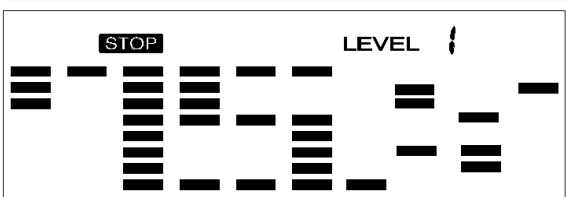
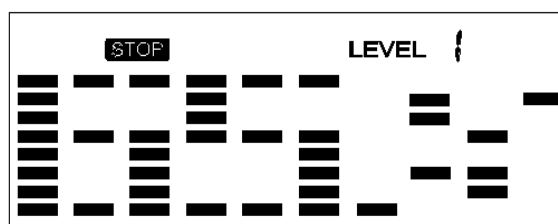
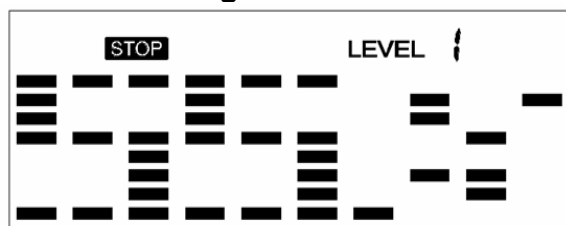
NOTA: se si imposta il tempo target per l'allenamento, non è possibile regolare il parametro successivo DIST (DISTANZA).

4. Continuare con tutti i parametri desiderati, premendo il pulsante START/STOP (AVVIO/ARRESTO) per avviare l'allenamento.

NOTA: se la frequenza cardiaca è superiore alla FC TARGET impostata, il valore Pulse lampeggia per ricordarlo all'utente.

PROGRAMMA DI CONTROLLO DELLA FREQUENZA CARDIACA (P17-P20)

Profilo del Programma



Sono disponibili 4 selezioni per le pulsazioni target (FC):

HRC - 55% FC TARGET= 55% of (220- ETÀ)

HRC - 65% FC TARGET= 65% of (220- ETÀ)

HRC - 75% FC TARGET= 75% of (220- ETÀ)

HRC - 85% FC TARGET= 85% of (220- ETÀ)

IMPOSTAZIONE DEI PARAMETRI PER IL CONTROLLO DELLA FREQUENZA CARDIACA

1. Selezionare uno dei **Programmi di Controllo della Frequenza Cardiaca** utilizzando il pulsante UP (SU) o DOWN (GIÙ), quindi premere il pulsante ENTER (INGRESSO).
2. Il tempo lampeggia. Il valore può essere regolato con il pulsante UP (SU) o DOWN (GIÙ).
3. Premere il pulsante ENTER (INGRESSO) per salvare il valore e passare al parametro successivo da regolare.

NOTA: se si imposta il tempo target per l'allenamento, non è possibile regolare il parametro successivo DIST (DISTANZA).

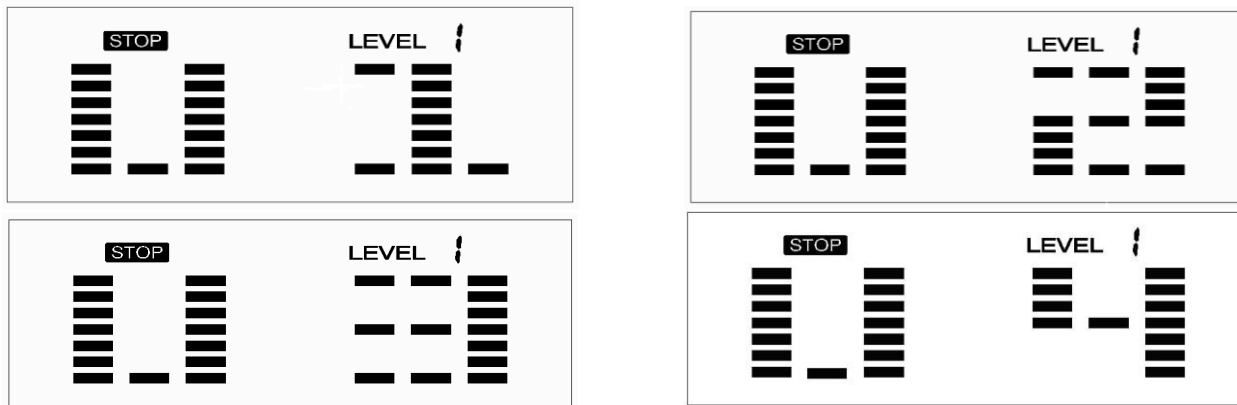
4. Continuare con tutti i parametri desiderati e premere il pulsante START/STOP (AVVIO/ARRESTO) per avviare l'allenamento.

NOTA: se la frequenza cardiaca è superiore o inferiore (± 5) alla FC TARGET, il misuratore regolerà automaticamente il carico di resistenza. Ogni 20 secondi circa, il misuratore controllerà l'aumento o la diminuzione del carico di resistenza (NOTA: ogni carico di resistenza rappresenta 2 livelli di carico).

Se uno dei parametri di allenamento arriva a zero, il misuratore emette un segnale acustico e interrompe automaticamente l'allenamento. Premere il pulsante START/STOP (AVVIO/ARRESTO) per continuare l'allenamento e raggiungere il parametro di allenamento non completato.

PROGRAMMA UTENTE (P21-P24)

Profilo del Programma



I 4 programmi utente consentono all'utente di impostare il proprio programma che può essere utilizzato immediatamente.

IMPOSTAZIONE DEI PARAMETRI PER IL PROGRAMMA UTENTE

1. Selezionare il **Programma Utente** con i tasti UP (SU) o DOWN (GIÙ) e premere il tasto ENTER (INGRESSO).
2. Il tempo lampeggia e il valore può essere regolato con i tasti UP (SU) o DOWN (GIÙ).
3. Premere il tasto ENTER per salvare i valori e passare al parametro successivo da regolare.

NOTA: se si imposta il tempo target per l'allenamento, non è possibile regolare il parametro successivo DIST (DISTANZA).

4. Continuare con tutti i parametri desiderati.
5. Al termine dell'impostazione dei parametri desiderati, il livello 1 lampeggia. Utilizzare il pulsante UP (SU) o DOWN (GIÙ) per regolare, quindi premere il pulsante ENTER (INGRESSO) fino al termine. (Il totale è di 10 volte). Premere il pulsante START/STOP (AVVIO/ARRESTO) per iniziare l'allenamento.

NOTA: quando il parametro dell'allenamento arriva a zero, il sistema emette un segnale acustico e interrompe automaticamente l'allenamento. Premere il pulsante START/STOP (AVVIO/ARRESTO) per continuare l'allenamento e raggiungere il parametro di allenamento non ancora terminato.

DATI TECNICI

Connettività: Bluetooth LE

Gamma di frequenza: 2400~2483.5 Mhz

Potenza di trasmissione: 0 dBm

CONNESSIONE ALL'APP:

Collegare Smart Equipment a SunnyFit App:

1. Scansionare per scaricare SunnyFit dall'app store:



2. Assicurarsi che la funzione Bluetooth sia attivata dal dispositivo mobile.
3. Se è la prima volta che si utilizza l'app SunnyFit, seguire le istruzioni in-app per registrare il proprio account SunnyFit gratuito e accedere.
4. Iniziare un'attività di allenamento che corrisponda al proprio smart equipment, quindi seguire le indicazioni sullo schermo per cercare e connettersi allo smart equipment.
5. Una volta connessi, le statistiche e i record verranno visualizzati alla fine del corso/sessione e registrati nel profilo dell'account!

Risoluzione dei problemi:

- Se si riscontrano problemi nel collegare l'apparecchiatura smart, visitare il sito www.sunnyfit.com/guide o scansionare il codice QR qui sotto:



- Se avete bisogno di ulteriore assistenza, contattate support@sunnyfit.com.

RISOLUZIONE DEI PROBLEMI

PROBLEMA	POSSIBILE CAUSA	CONTROLLO	SOLUZIONE
E1-1	Il motore non è riuscito a trovare il punto di avvio.	Controllare se tutti i cavi sono ben collegati o se i pin dei cavi sono inseriti in modo errato. Oppure verificare che il motore sia ben collegato.	Collegare nuovamente i cavi e accendere, quindi premere contemporaneamente i pulsanti MODE e ENTER per accedere alla modalità di correzione degli errori.
E1-2	Il segnale del motore è privo di induzione.	Controllare se tutti i cavi sono ben inseriti o se i pin dei cavi sono inseriti in modo errato. Oppure verificare se il motore è bloccato.	Ricollegare i cavi o sostituire il motore.
E1-3	Il motore ha superato il livello massimo di resistenza.	Controllare se tutti i cavi sono ben inseriti o se i pin dei cavi sono inseriti in modo errato.	Collegare di nuovo i cavi e accendere, 1 secondo dopo scollegare i cavi, quindi ricollegare i cavi e accendere di nuovo, attendere circa 6 secondi per lasciare che il motore torni al punto di partenza, quindi premere contemporaneamente i pulsanti MODE e ENTER per entrare nella modalità di correzione degli errori.
E2	Non sono stati letti dati EEPROM.		Ricollegare lo strumento.
	Errore di lettura dei dati EEPROM.		Riacendere lo strumento per rileggere i dati.
E4	Le mani non vengono posizionate sui due impulsi dell'impugnatura subito dopo aver premuto il pulsante START/STOP (AVVIO/ARRESTO).		Mettere le mani sui due impulsi dell'impugnatura subito dopo aver premuto il pulsante START/STOP (AVVIO/ARRESTO).
	La funzione Grasso corporeo non può ricevere il segnale di impulso.	Controllare se i fili dell'impulso della maniglia sono ben collegati.	Ricollegare i fili degli impulsi dell'impugnatura o cambiare i fili degli impulsi dell'impugnatura.
		Controllare se l'impulso funziona quando non è attivo il Programma Grasso Corporeo.	Cambiare il misuratore.

NOTA: se non si riesce a risolvere un problema utilizzando la guida alla risoluzione dei problemi sopra riportata, contattare il Servizio clienti all'indirizzo support@sunnyhealthfitness.com.

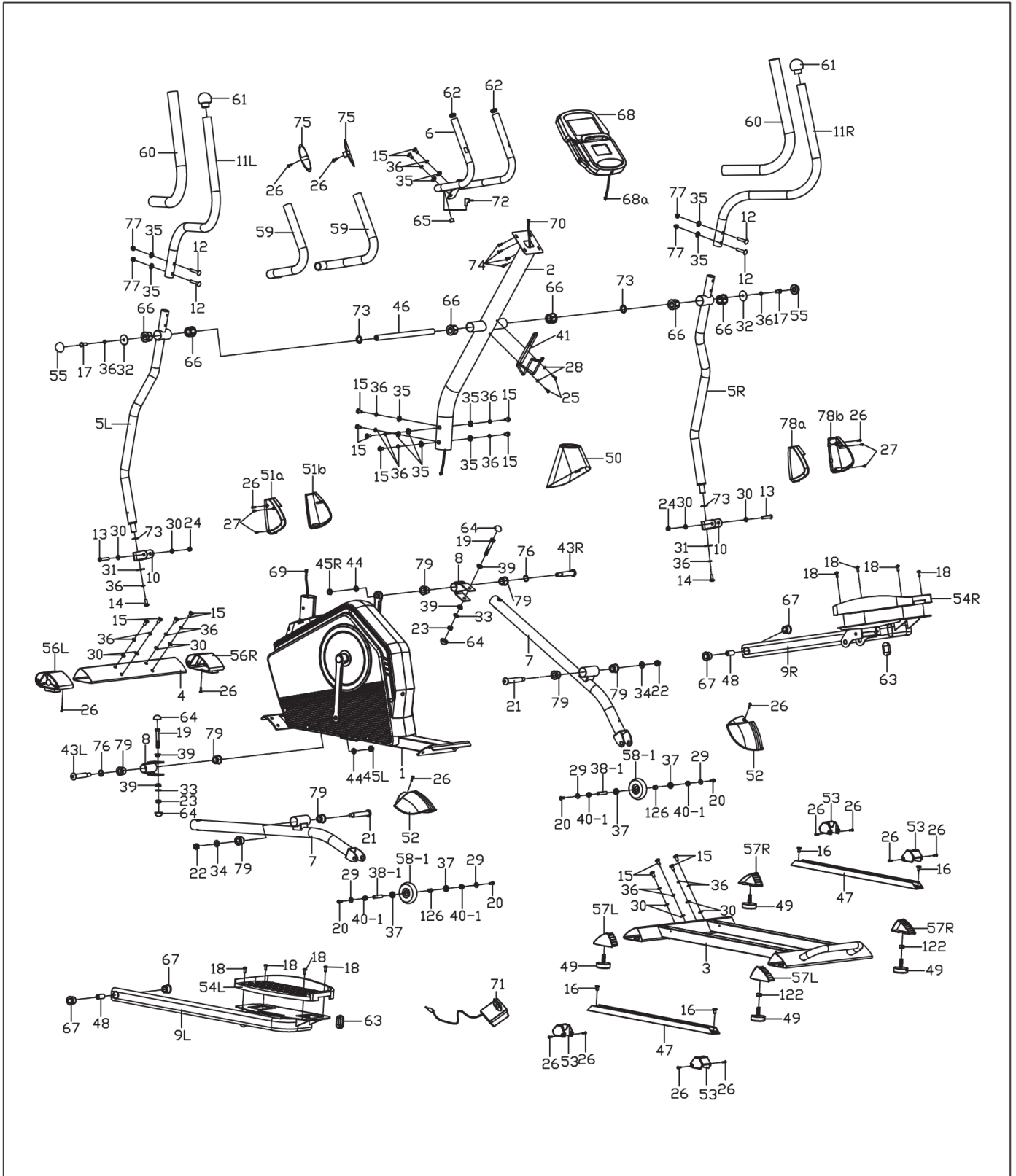
ELENCO PARTI

n.	Descrizione	Spec.	Qtà.	n.	Descrizione	Spec.	Qtà.
1	Telaio Principale		1	34	Rondella Piatta	D12XΦ24	2
2	Posto Manubrio		1	35	Rondella ad Arco	Φ20XD8.5XR25	12
3	Telaio a Binario		1	36	Rondella Elastica	D8	20
4	Stabilizzatore Anteriore		1	37	Cuscinetto	6900ZZ	4
5L	Barra Oscillante Sinistra		1	38-1	Asse a Rulli	Φ10X47.5	2
5R	Barra Oscillante Destra		1	39	Boccola in Lega	Φ18XΦ10X11	4
6	Manubrio Fisso		1	40-1	Distanziatore a Rulli	Φ16X11.8	4
7	Braccio a Rullo		2	41	Portabottiglie		1
8	Giunto del Braccio a Rullo		2	42L	Manovella Sinistra		1
9L	Braccio del Pedale Sinistra		1	42R	Manovella Destra		1
9R	Braccio del Pedale Destra		1	43L	Bullone Cerniera Manovella Sinistra	Φ16X69	1
10	Giunto a Barra Oscillante		2	43R	Bullone Cerniera Manovella Destra	Φ16X69	1
11L	Manubrio Sinistra		1	44	Rondella Elastica	Φ13XB2	2
11R	Manubrio Destra		1	45L	Dado in Nylon della Manovella Sinistra	B0.5X20	1
12	Bullone a Carrello	M8XL45	4	45R	Dado in Nylon della Manovella Destra	B0.5X20	1
13	Bullone a Brugola	M8X50	2	46	Asse Lungo	Φ19.5X332	1
14	Bullone a Brugola	M8X20 filo pieno	2	47	Guida in Alluminio	42X22X635	2
15	Bullone a Brugola	M8X20	16	48	Distanziatore per Barra Oscillante	Φ16.4XΦ8X33.5	2
16	Bullone a Testa Piatta a Brugola	M8X15	4	49	Cuscinetto Regolabile	M10X30	4
17	Bullone Esagonale	M8X20	2	50	Copertura del Montante		1
18	Vite Phillips	M6X15	8	51a	Coperchio per Barra Oscillante Sinistra A		1
19	Bullone Esagonale	M10X65	2	51b	Coperchio per Barra Oscillante Sinistra B		1
20	Bullone Esagonale	M6X15	11	52	Coperchio del Rullo		2
21	Bullone della Cerniera del Pedale	Φ16X89XL14	2	53	Coperchio della Rotaia in Alluminio		4
22	Dado in Nylon	M12	2	54L	Pedale Sinistra		1
23	Dado in Nylon	M10	2	54R	Pedale Destra		1
24	Dado in Nylon	M8	3	55	Cappuccio del Dado	S13	2
25	Vite Phillips	M5X16	2	56L	Tappo Frontale Sinistra		1
26	Vite Autofilettante Phillips	ST4.2X18	32	56R	Tappo Frontale Destra		1
27	Vite Autofilettante Phillips	ST3.5X12	4	57L	Tappo Posteriore Sinistra	97XΦ51X33	2
28	Rondella Piatta	D5XΦ10	2	57R	Tappo Posteriore Destra	97XΦ51X33	2
29	Rondella Piatta	D6XΦ19	6	58-1	Ruota	Φ80X24	2
30	Rondella Piatta	D8XΦ16	13	59	Impugnatura in Schiuma	Φ24XΦ30X480	2
31	Rondella Piatta	D8XΦ30	2	60	Impugnatura in Schiuma	Φ31XΦ37X600	2
32	Rondella Piatta	D8XΦ38	2	61	Tappo a Fungo	Φ32X1.5	2
33	Rondella Piatta	D10XΦ20	2	62	Tappo Rotondo	Φ25X1.5	2

n.	Descrizione	Spec.	Qtà.
63	Tappo Ovale		2
64	Tappo a Dado	S17	4
65	Spina a Filo	Φ12X11XΦ3	1
66	Boccola di Plastica	Φ38XΦ19.5X26	6
67	Boccola di Plastica	Φ28XΦ16.4X16	4
68	Misuratore	TZ-4113P	1
68a	Filo A del Misuratore		1
69	Filo di Prolunga del Sensore 1	800 mm	1
70	Filo di Prolunga del Sensore 2	1200 mm	1
71	Adattatore		1
72	Filo per Impulsi	650 mm	1
73	Rondella a Onda	D20	5
74	Vite Phillips	M5X10	4
75	Sensore di Impulsi		2
76	Rondella a Onda	D17	2
77	Dado per Tappo	M8	4
78a	Coperchio per Barra Oscillante Destra A		1
78b	Coperchio per Barra Oscillante Destra B		1
79	Boccola di Plastica	Φ32X2.0	8
80	Cuscinetto	6001	4
81	Asse del Volano	Φ24X103	1
82	Volano	Φ240X40 4kgs	1
83	Cinghia	405 PJ6	1
84	Rondella Piatta	D6XΦ16X1.5	3
85	Ruota Folle	Φ39X24	1
86	Tirante della Ruota Dentata		1
87L	Coperchio della Cinghia Sinistra		1
87R	Coperchio della Cinghia Destra		1
88	Vite Phillips	M6X8	2
89	Coperchio della Manovella		2
90	Filo di Tensione	500 mm	1
91	Dado della Flangia	M12X1.25	2
92	Rondella Elastica dell'Asse	D20	2
93	Cuscinetto	6004	2

n.	Descrizione	Spec.	Qtà.
94	Molla di Tensione	Φ1.6XΦ15XL55	1
95	Asse Centrale	Φ20X210	1
96	Tappo della Manovella		2
97	Bullone del Perno	Φ14XΦ10XM8X20.5	1
98	Molla di Tensione	Φ18XΦ2.8XL114	1
99	Dado Esagonale	M5	2
100	Bullone Esagonale	M5X60	1
101	Puleggia della Cinghia	Φ260	1
102	Rondella a Molla	D6	9
103	Dado in Nylon	M6	5
104	Tappo per Tubo	Φ25X22	2
105	Motore		1
106	Tappo Quadrato	80X40X1.5	1
107	Rondella Elastica dell'Asse	D12	2
108	Asse della Lavagna Magnetica	Φ12X73	1
109	Scheda Magnetica		1
110	Magnete Quadrato	40X25X10	4
111	Rondella a Onda	D12	1
112	Vite Phillips	M6X10	4
113	Piastra Fissa		2
114	Vite Phillips	M6X12	2
115	Chiave Inglese	S17, S19	1
116	Chiave Inglese	S10, S13, S14, S15, S17	1
117	Chiave a Brugola	S6	1
118	Chiave Inglese	S13, S14	1
119	Chiave a Brugola	S8	1
120	Staffa del Cuscinetto		2
121	Bullone di Regolazione	M6X50	1
122	Dado Esagonale	M10	2
123	Staffa del Sensore		1
124	Cavo CC	600 mm	1
125	Cavo del Sensore	300 mm	1
126	Distanziatore	Φ10.5XΦ14X12.2	2

EXPLODED DIAGRAM 1



CONNECT
with us

DOWNLOAD

Track your fitness progress & join
FREE workout courses!

Download  **SUNNYFIT** today!




FOLLOW

Find us on social media @sunnyhealthfitness

 @sunnyhealthfitness

 @sunnyhealthandfitness

 @sunnyhealthfit

 /sunnyhealthfitness

 /sunnyhealthfitness

 /sunnyhealthandfitness

www.sunnyhealthfitness.com